

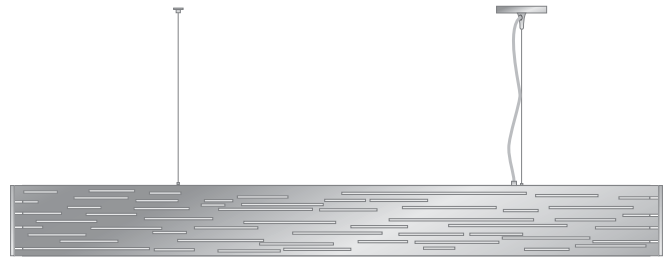
Revel Linear Suspension (LED)

700LSRVL_-LED_ 1.0



SUSPENSION

GENERAL PRODUCT INFORMATION:  This product is suitable for damp locations.

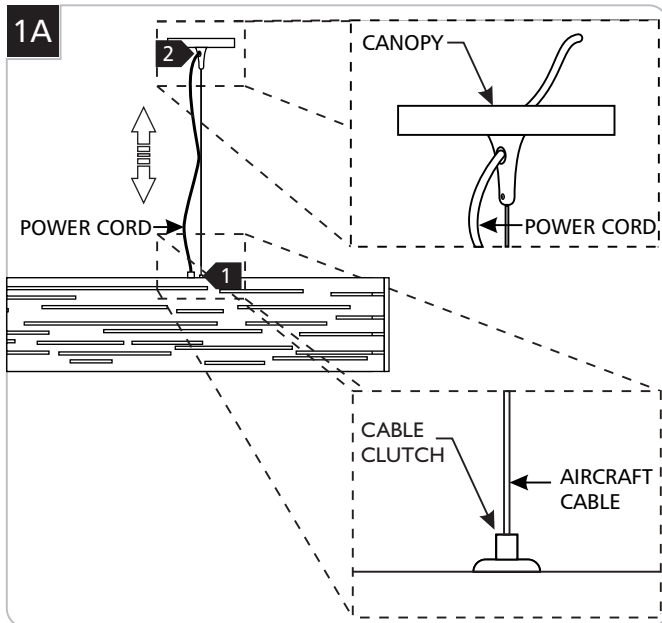


CAUTION - RISK OF FIRE
 This product must be installed in accordance with the applicable installation code by a person familiar with the construction and operation of the product and the hazards involved.
 Use minimum 90°C supply conductors.

NOTE: Due to the weight and complexity of this fixture, assistance will be need for installation.

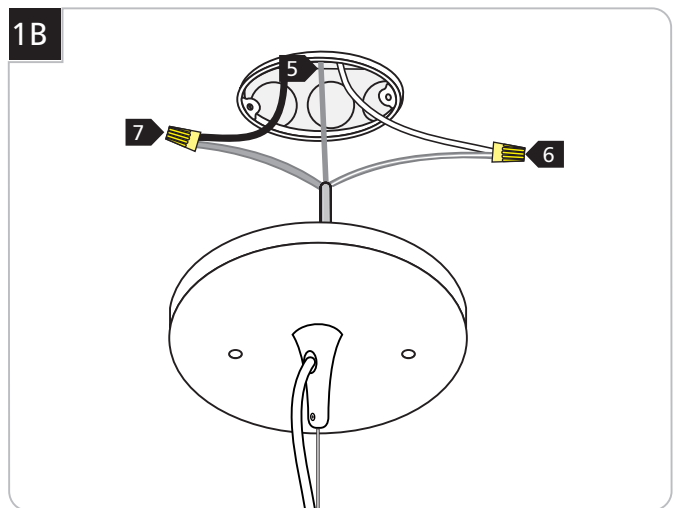
NOTE: This product can be mounted two different ways depending on the availability of the electrical box location and the desired mounting position. First configuration uses one cable post and one canopy with built-in cable post; section 1. The other uses two cable posts and one canopy with power cord only; section 2. Use appropriate instructions for installation.

One Cable Post Configuration

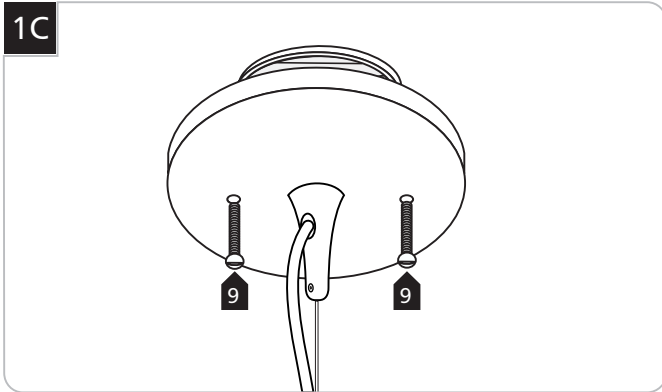


NOTE: The power cord does not support the fixture. For a casual "lazy cord" look, cut the power cord several inches longer than the drop height of the fixture.

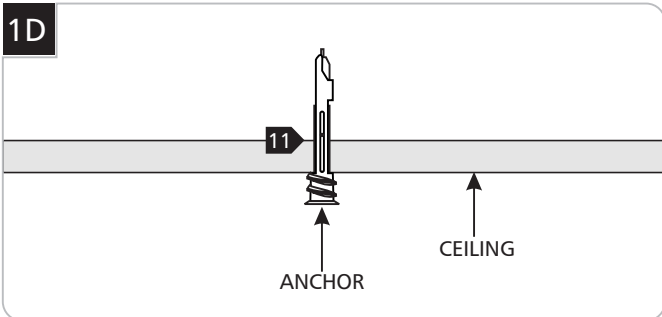
- 1 To determine the length of the power cord, feed the aircraft cable attached to the canopy into one of the cable clutches on the fixture until the desired length is determined.
- 2 Feed the power cord through the canopy until the desired look is determined.
- 3 Leave 6 inches of power cord behind the canopy and cut off the extra cord.



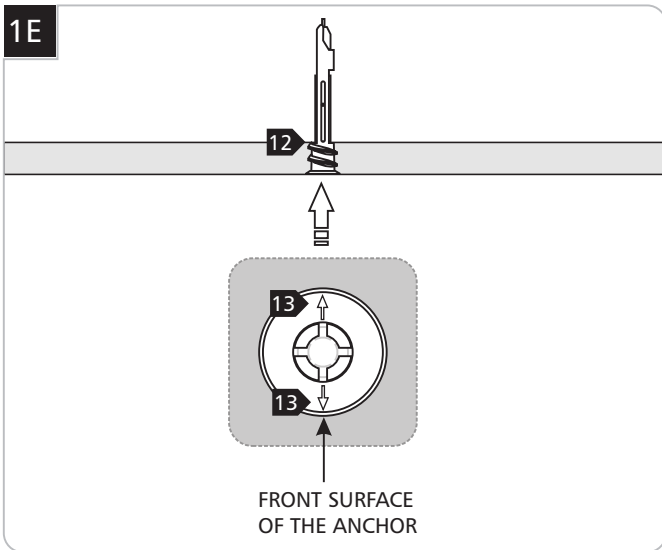
- 4 Strip the cable behind the canopy, and strip the ends of the inner wires.
- 5 Connect the bare wire to a suitable ground in accordance with local electrical codes.
- 6 Connect the wire with the white strip to the neutral power line wire with a wire nut.
- 7 Connect the remaining wire to the hot power line wire with a wire nut.



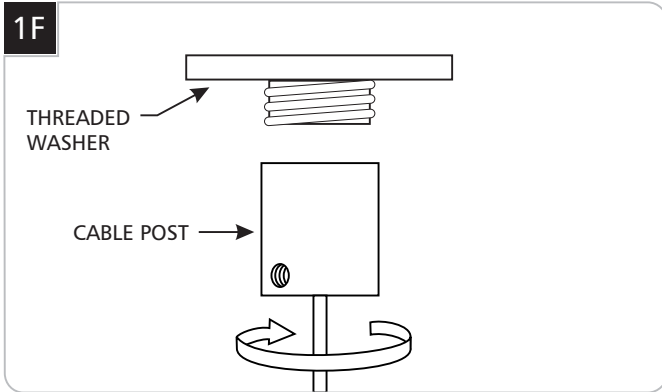
- 8 Place all wires properly into the electrical box.
- 9 Mount the canopy to the electrical box with two #8-32 screws provided.



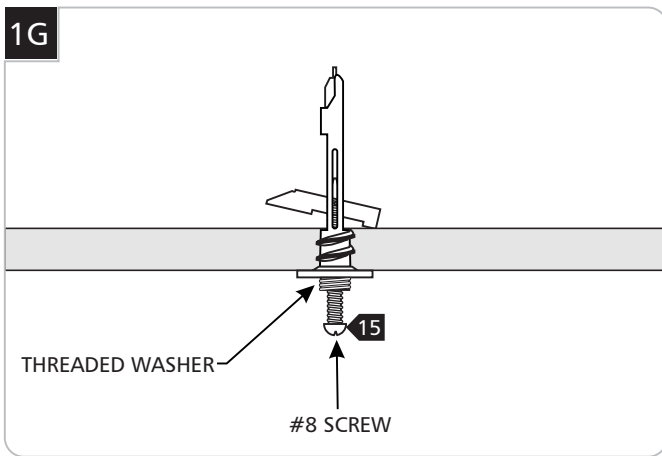
- 10 Mark the cable post location point 28.5" away from the center of the canopy.
- 11 Tap the anchor at the marked point into the wall up to the threaded portion with a hammer.



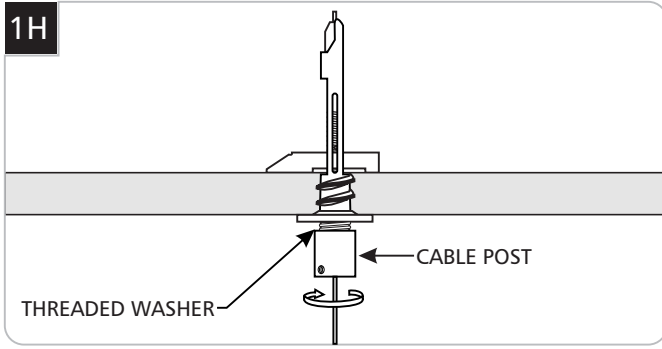
- 12 Screw the anchor in the rest of the way with a Phillips screwdriver.
- 13 The arrows on the front surface of the anchor indicate what direction the toggle will open. Adjust the position of the anchor by slightly turning it clockwise.



- 14 Unscrew the threaded washer to separate it from the cable post.

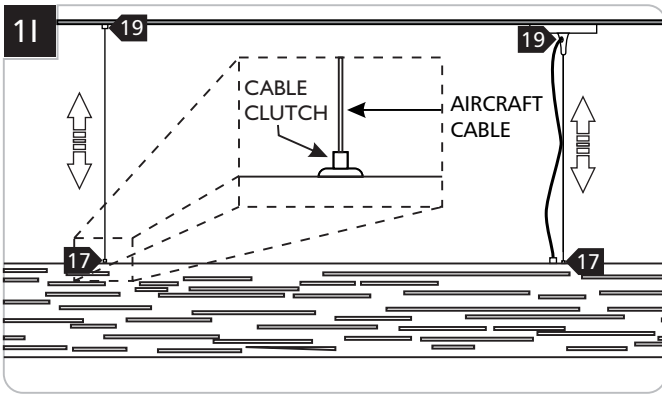


- 15 Screw the threaded washer onto the anchor with the long #8 screw.

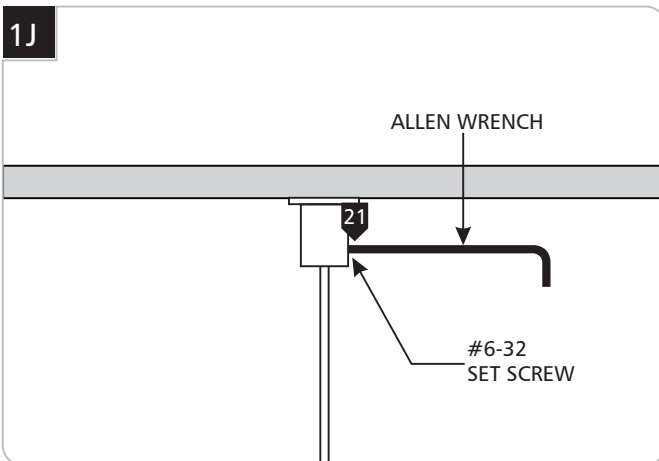


- 16 Tightly screw the cable post back onto the threaded washer.

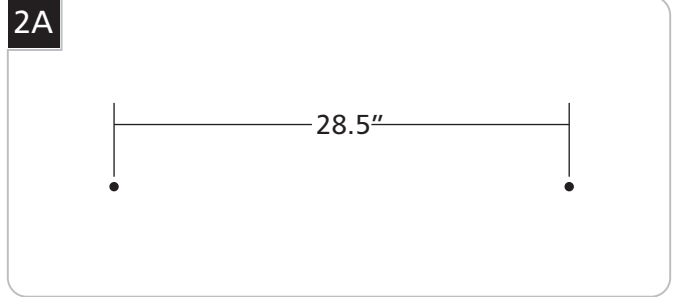
Two Cable Post Configuration



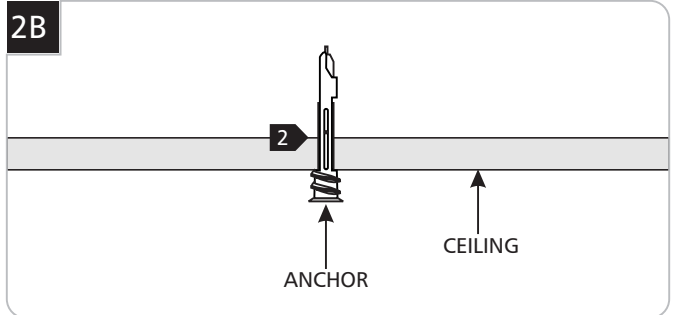
- 17** Adjust the aircraft cables until the fixture is level; feed the cable into the cable clutch to raise the fixture and push in on the cable clutch nipple to release the cable and lower the fixture.
- 18** Cut off the excess aircraft cable.
- 19** Ensure that the set screws in both the canopy and the cable post are tight with the provided Allen wrench.
- 20** Move on to section 3 for lamp and shade installation.



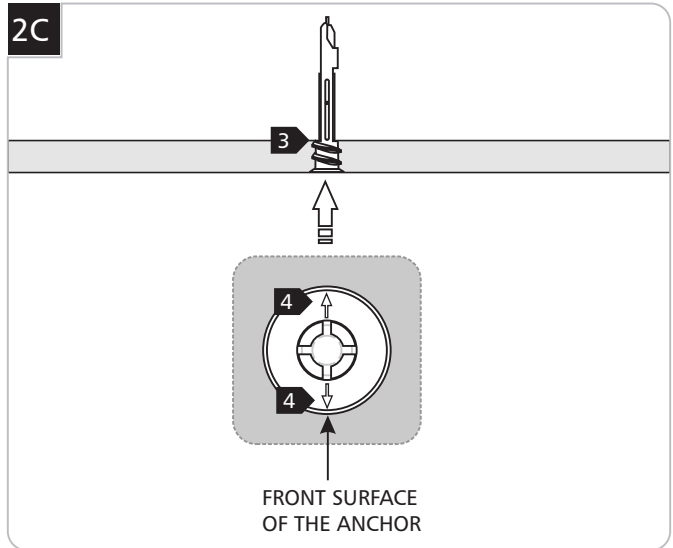
- 21** Ensure that the set screws in both the canopy and the cable post are tight with the provided Allen wrench.



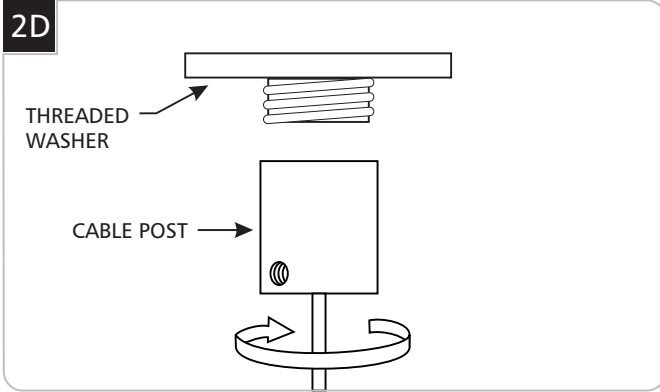
- 1** Mark the anchor point locations 28.5" apart and in accordance to the canopy position.



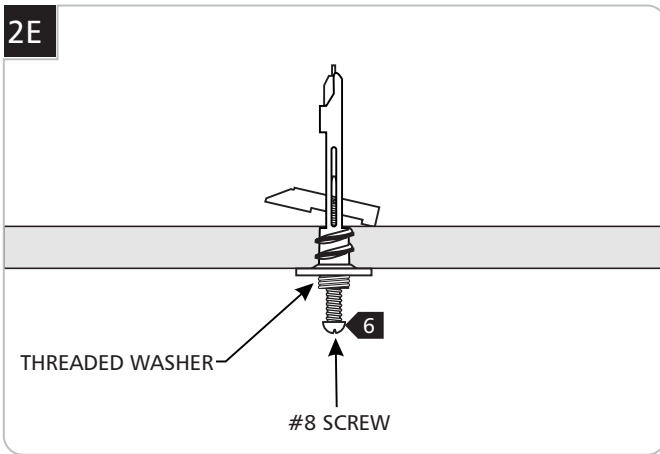
- 2** Tap one of the anchors at the marked point into the wall up to the threaded portion with a hammer.



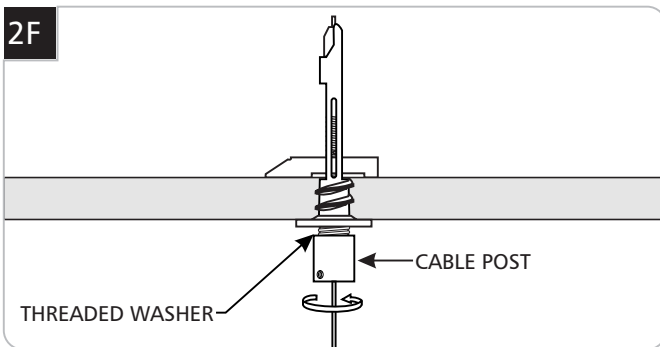
- 3** Screw the anchor in the rest of the way with a Phillips screwdriver.
- 4** The arrows on the front surface of the anchor indicate what direction the toggle will open. Adjust the position of the anchor by slightly turning it clockwise.



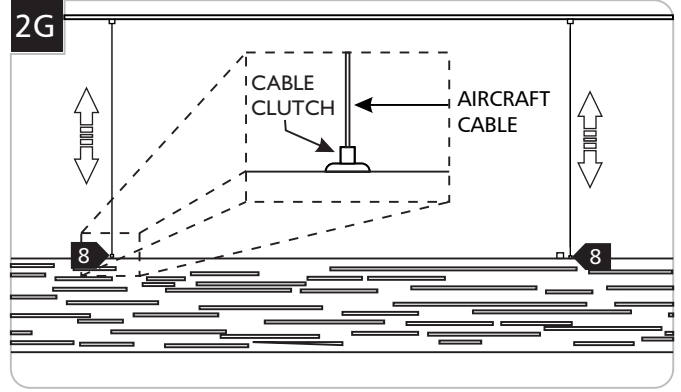
5 Unscrew the threaded washer to separate it from the cable post.



6 Screw the threaded washer onto the anchor with the long #8 screw.

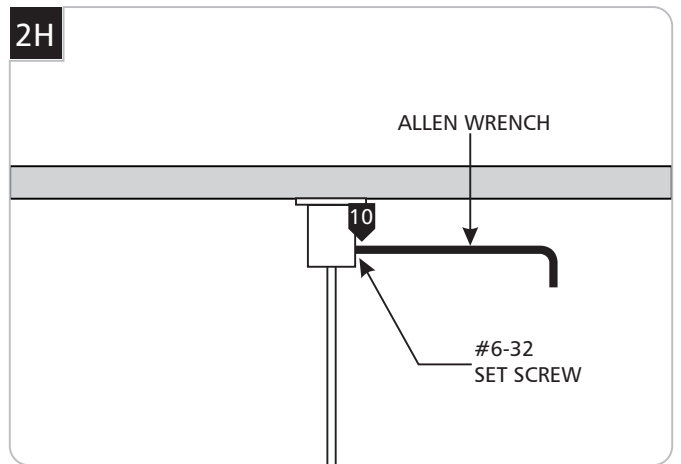


7 Tightly screw the cable post back onto the threaded washer.

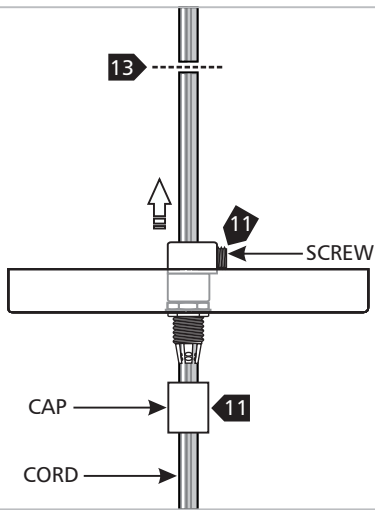


8 Adjust the aircraft cables until the fixture is at the desired height and level; feed the cable into the cable clutch to raise the fixture and push in on the cable clutch nipple to release the cable and lower the fixture.

9 Cut off the excess aircraft cable.

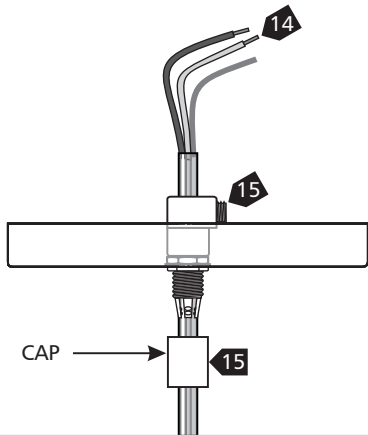


10 Ensure that the set screws in both the canopy and the cable post are tight with the provided Allen wrench.

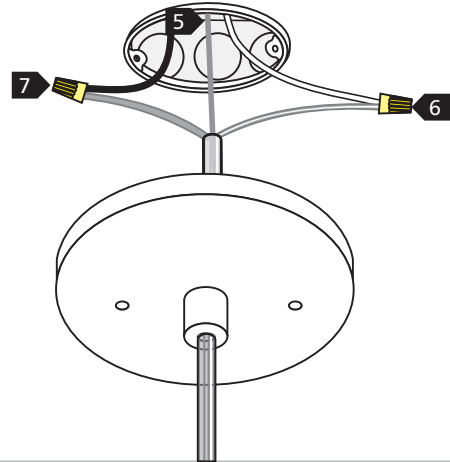
2I

NOTE: The power cord does not support the fixture. For a casual "lazy cord" look, cut the power cord several inches longer than the drop height of the fixture.

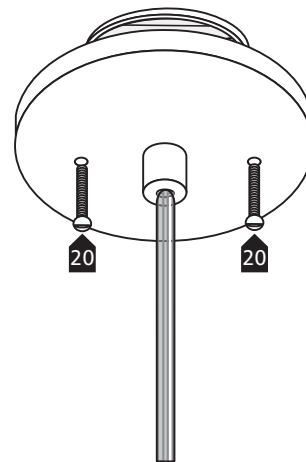
- 11** Loosen the screw and cap on the canopy.
- 12** Pull the power cord through the canopy until it reaches the length and look desired.
- 13** Leave 6 inches of cord behind the canopy and cut off extra cord.

2J

- 14** Strip the cable behind the canopy, and strip the ends of the inner wires.
- 15** Tighten the screw and cap on the canopy.

2K

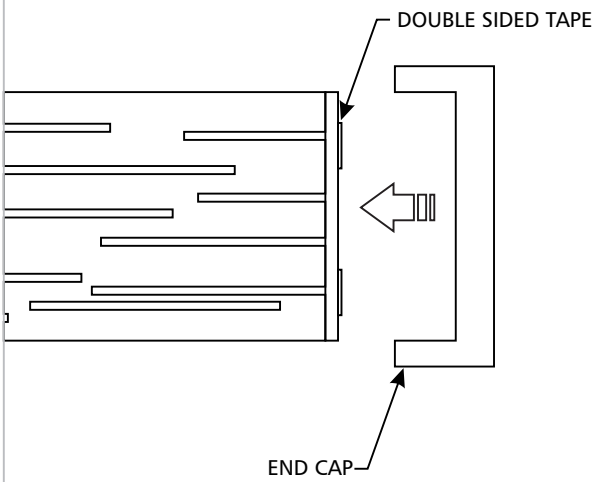
- 16** Connect the bare wire to a suitable ground in accordance with local electrical codes.
- 17** Connect the wire with the white strip to the neutral power line wire with a wire nut.
- 18** Connect the remaining wire to the hot power line wire with a wire nut.

2L

- 19** Place all wires properly into the electrical box.
- 20** Mount the canopy to the electrical box with two #8-32 screws provided.

Install End Caps (Optional)

3A



- 1 Place the provided double sided tape on the end of the fixture and install the End Cap by firmly pushing it completely onto the end of fixture.
- 2 Repeat for the other side.

SAVE THESE INSTRUCTIONS!



TECH LIGHTING®

7400 Linder Ave, Skokie, IL 60077

847.410.4400

www.techlighting.com

© 2016 Tech Lighting, L.L.C. All rights reserved. The "Tech Lighting" graphic is a registered trademark of Tech Lighting, L.L.C. Tech Lighting reserves the right to change specifications for product improvements without notification.

A Generation Brands Company