



GENERAL PRODUCT INFORMATION:

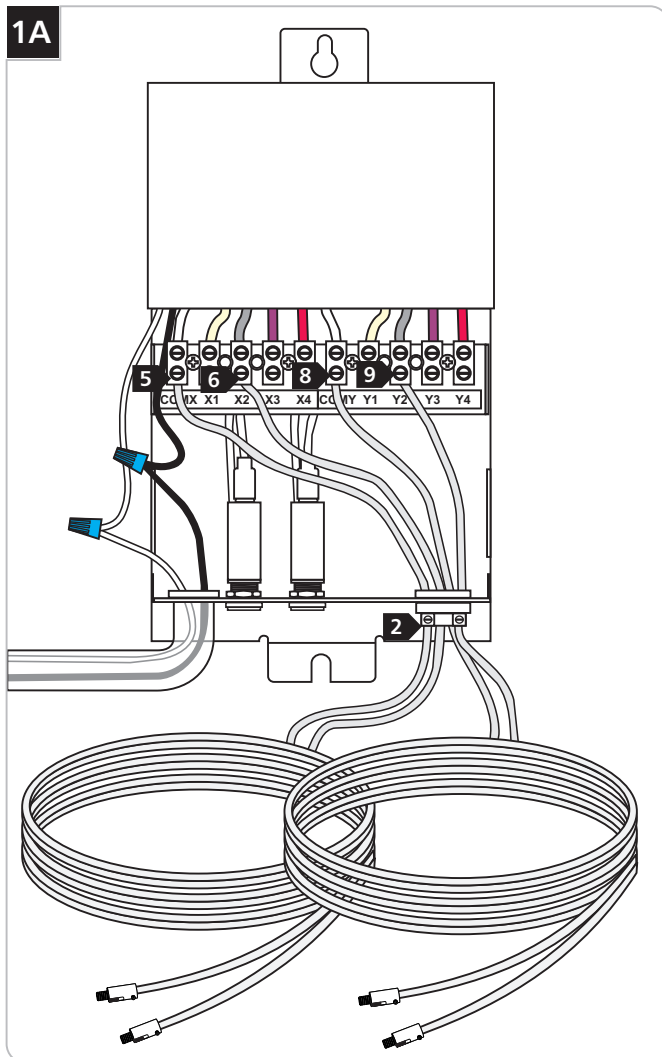


This product is suitable for indoor dry locations only.

This product is intended to be used with Tech Lighting Kable Lite system only.



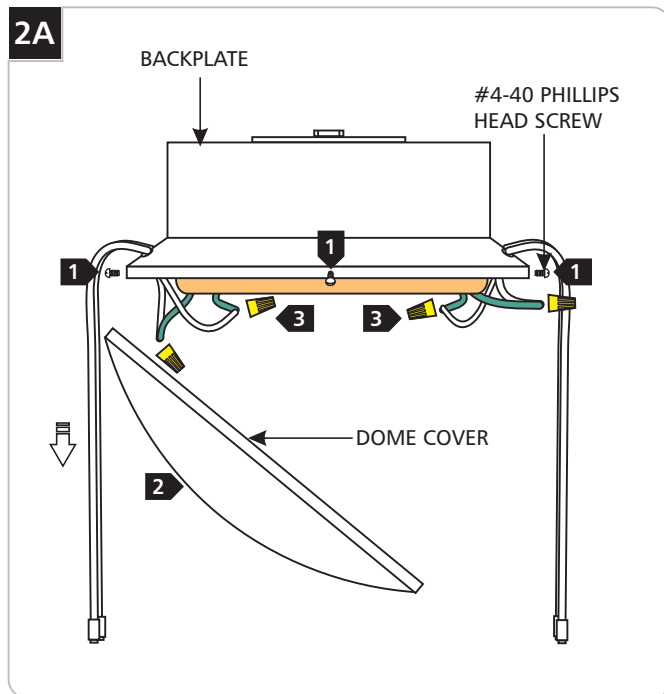
Connect the Center Power Feed Wires Directly to the Remote Transformer



NOTE: The provided power feed canopy is not used in this procedure.

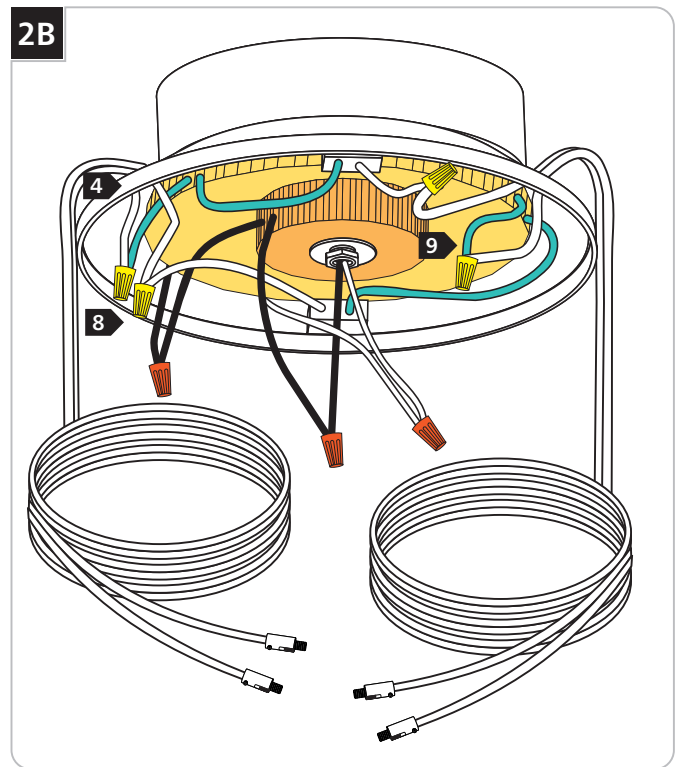
- 1 Starting with one center power feed set, cut the center power feed wires to the desired length.
- 2 Feed the center power feed wires into the transformer.
- 3 With a sharp knife cut 1" from the end of the wire web and separate the wires 6" from each other.
- 4 Strip 1/2" off the wire ends.
- 5 Connect one center power feed wire to the "COMX" terminal.
- 6 Connect the other wire to the terminal marked "X2" (default). After installing the system completely, refer to the remote transformer instructions for connecting this wire to the proper terminal "X1- X4".
- 7 Repeat steps 1 through 4 for the other set of the center power feed.
- 8 Connect one center power feed wire to the "COMY" terminal.
- 9 Connect the other wire to the terminal marked "Y2" (default). After installing the system completely, refer to the remote transformer instructions for connecting this wire to the proper terminal "Y1-Y4"

Connecting the Center Power Feed Wires Directly to the Kable Lite Surface Transformer



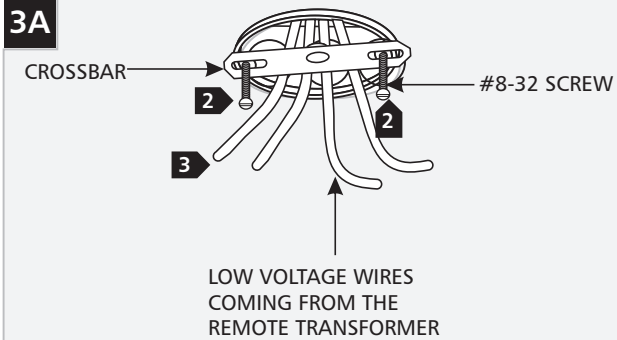
NOTE: The provided power feed canopy is not used in this procedure.

- 1** On side of the transformer canopy dome cover, remove the #4-40 Phillips head screws.
- 2** Lift the dome cover off of the transformer backplate.
- 3** Remove the four Kable Lite lead wires by removing the wire nut connections.

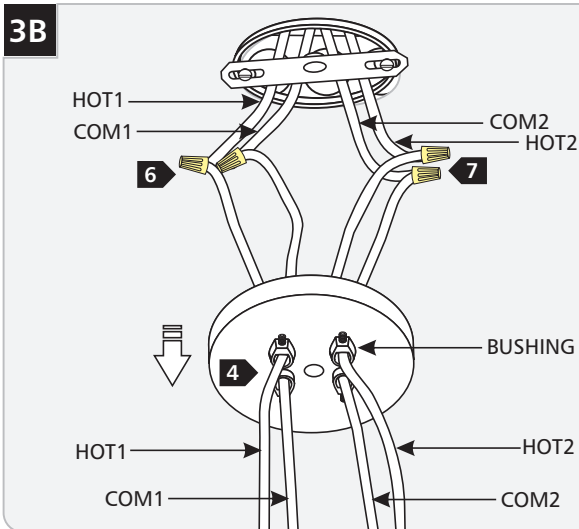


- 4** Feed one set of the center power feed wires through the backplate bushing.
- 5** Cut the center power feed wires to the desired length.
- 6** With a sharp knife cut 1" from the end of the wire web and separate the wires 6" from each other.
- 7** Strip 1/2" off the wire ends.
- 8** Connect one center power feed wire to the low voltage wire coming out of the transformer and the other one to the corresponding circuit breaker wire with wire nuts.
- 9** Repeat steps 1 through 8 for the other center power feed.
- 10** Connect the center power feed wires to the remaining circuit breaker and transformer wires with wire nuts.
- 11** Refer to the Kable Lite surface mount transformer instruction to complete mounting the transformer.

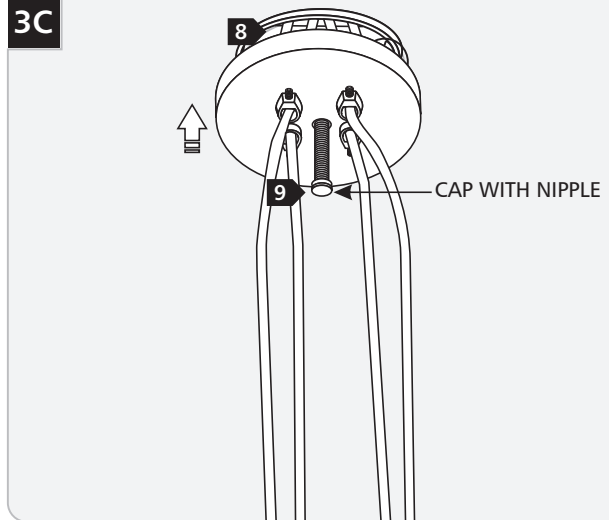
Install the Center Power Feed Canopy



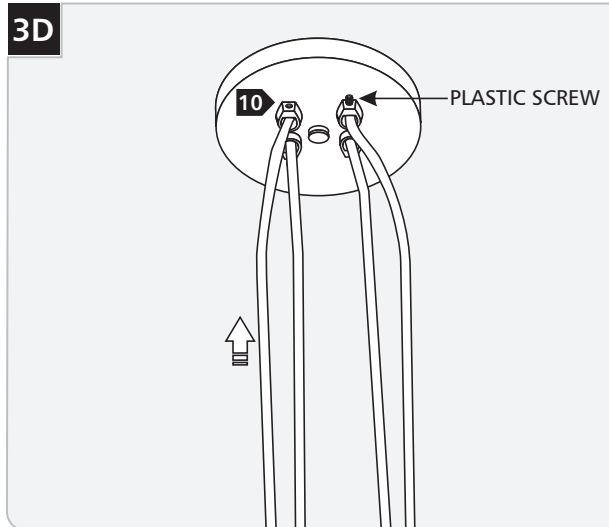
- 1** Low voltage wires must be present in electrical box before proceeding with these steps. Refer to the instructions provided with the remote transformer.
- 2** Mount the crossbar to the electrical box with the provided two #8-32 screws.
- 3** Pull the low voltage wires out of electrical box for power connection.



- 4** Feed one set of power feed wires through the left and the other set through the right canopy bushings and slide the canopy down the wires.
- 5** Cut the power feed wires to the desired length and strip 1/2" off the ends.
- 6** Connect the left side canopy wires to HOT1 and COM1 electrical box wires with the wire nuts.
- 7** Connect the right side canopy wires to HOT2 and COM2 electrical box wires with the wire nuts.

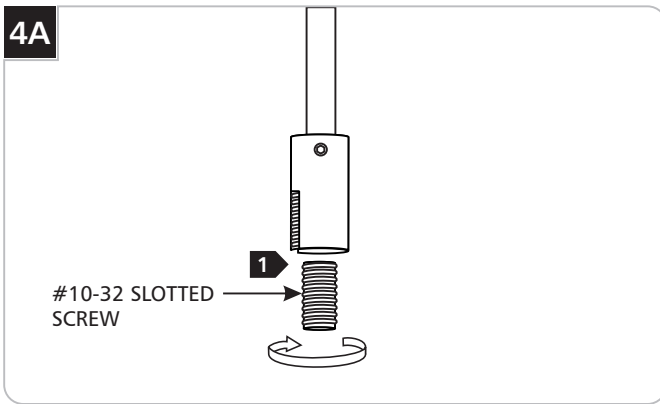


- 8** Place the wire nut connections into the electrical box.
- 9** Slide the canopy up and secure it to the electrical box by screwing the cap with nipple to the crossbar.

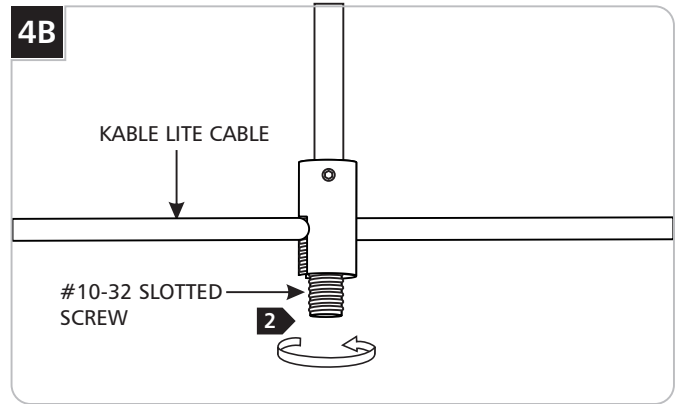


- 10** Push the excess power feed wires into the canopy and tighten the plastic screws.

Connecting the Center Power Feed Connectors to the Kable Lite



- 1 For each power feed connector remove the #8-32 slotted screw with a flat head screwdriver.



- 2 Place the power feed connectors onto each Kable Lite cable. Replace and tighten the #8-32 slotted set screw.

SAVE THESE INSTRUCTIONS!



7400 Linder Ave, Skokie, IL 60077

847.410.4400

www.techlighting.com

© 2008 Tech Lighting, L.L.C. All rights reserved. The "Tech Lighting" graphic is a registered trademark of Tech Lighting, L.L.C. Tech Lighting reserves the right to change specifications for product improvements without notification.

A Generation Brands Company