



GENERAL PRODUCT INFORMATION:

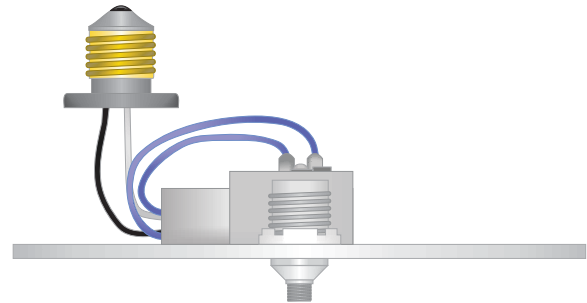


This product is suitable for indoor dry locations only.

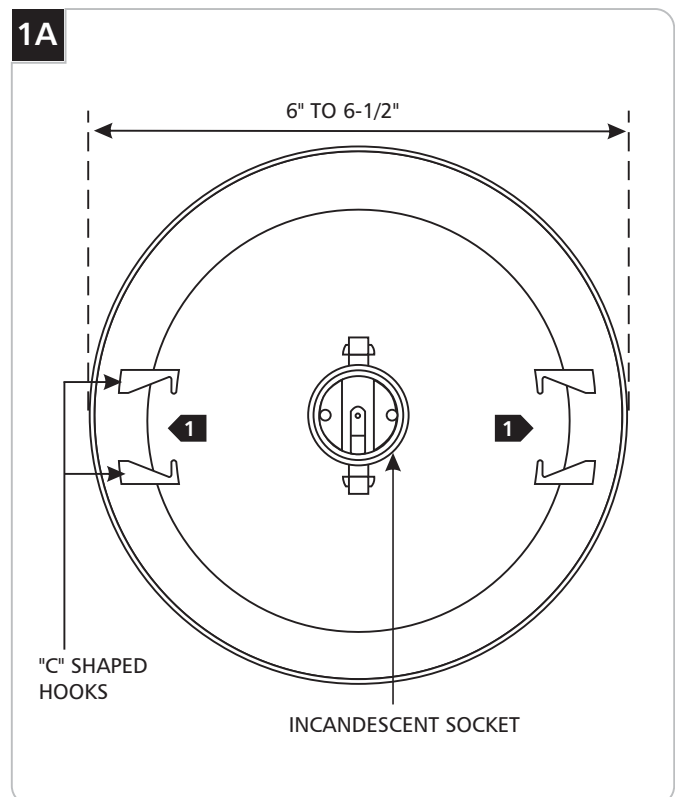
This product can be dimmed with a low-voltage electronic dimmer, have a rated maximum output of 10 watts, and are compatible with LED elements.

The FreeJack recessed can adapter can be used with the following Down Lights: Juno IC2, TC2, and TC2R; Halo H7T and H7RT; Cooper Lighting H27RT, Capri (Thomas) Lighting PR75ASIC/TPR75ASIC/DY6431; Progress Lighting P7TG, P8-TG and PIO8-TG.

Tech Lighting is not affiliated with, nor it is endorsed by, any of the companies listed above. Tech Lighting does not distribute or sell any of the products listed above.



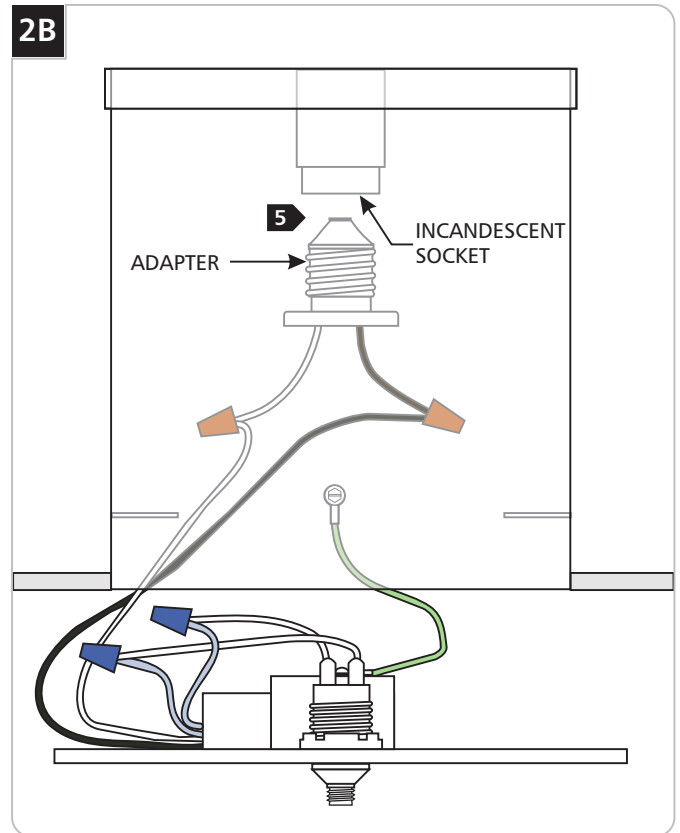
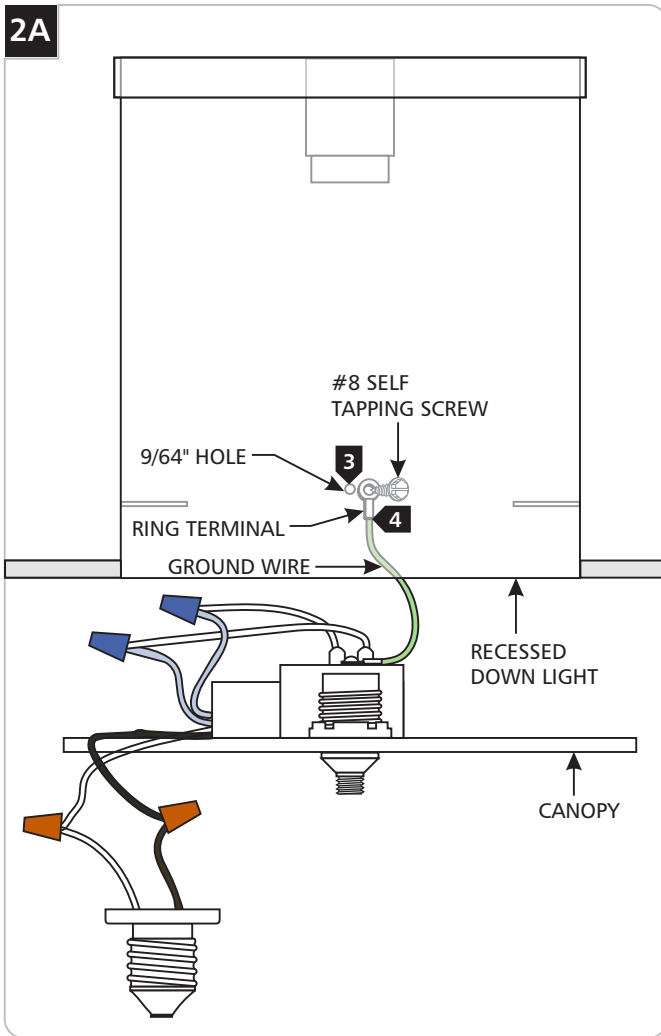
Down Light Specification



1 The FreeJack recessed can adapter can be mounted to down light's that contain:

- "C" shape hooks on the inside of the can wall.
- That are 6" to 6-1/2" in diameter.

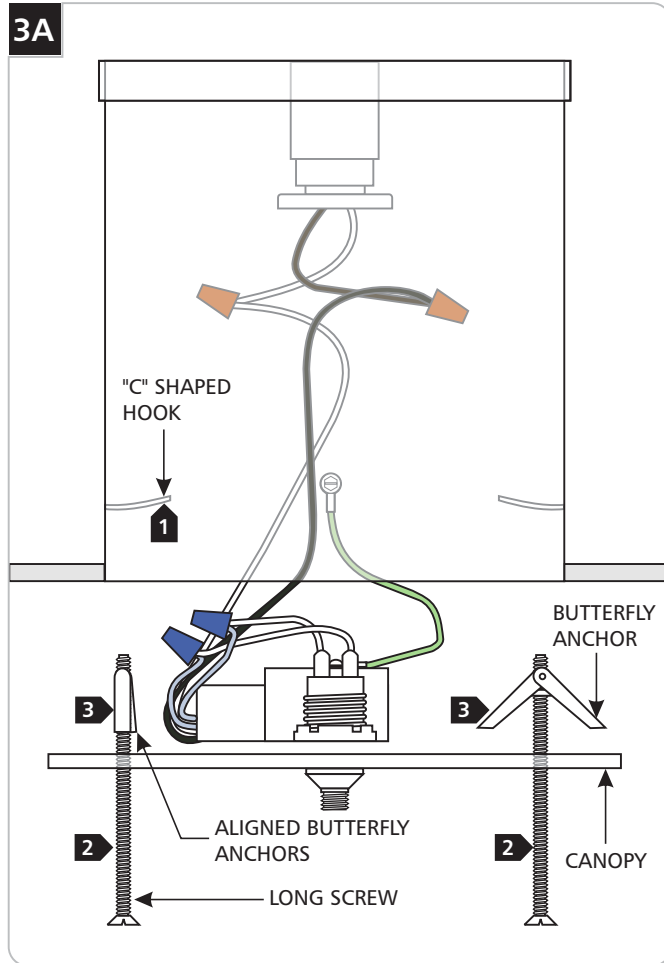
Power Connection



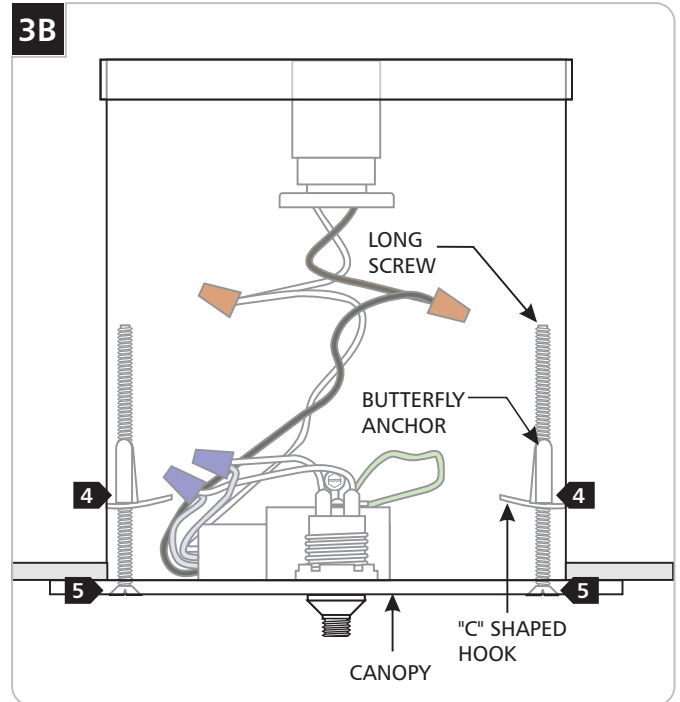
5 Screw the adapter tightly into the incandescent socket.

- 1 Turn the power to the recessed down light off.
- 2 Remove the existing trim and the incandescent lamp.
- 3 Drill a 9/64" hole inside the down light can wall (a pre-drilled hole might exist that is applicable for the ground wire connection).
- 4 Connect the canopy ground wire terminal to the drilled hole with the #8 self tapping screw.

Installing the Canopy Using the Butterfly Anchors

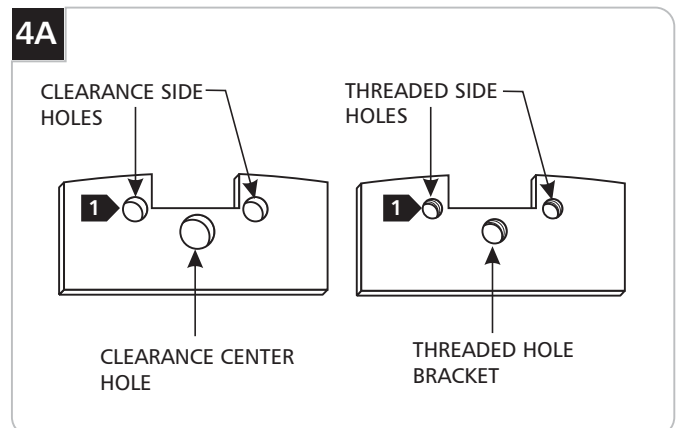


- 1 Bend the "C" shaped hooks slightly up to hold the butterfly anchors.
- 2 Push the long screws through the canopy holes.
- 3 Screw the butterfly anchors onto the tip of the long screws.

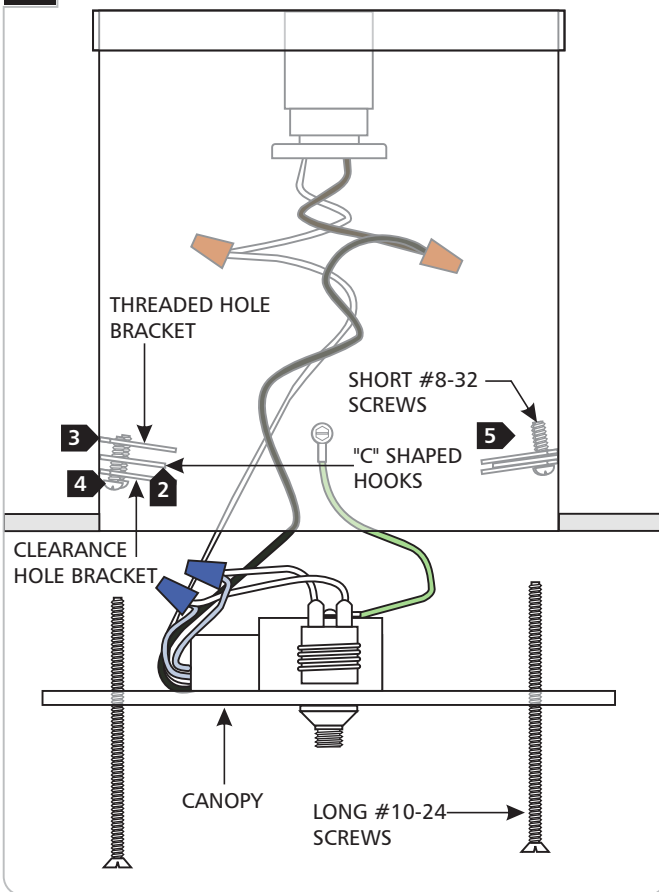


- 4 Align and hang the butterfly anchors onto the "C" shaped hooks on both sides of the down light.
- 5 When the butterfly anchors are properly hung onto the "C" shaped hooks, tighten the long screws by keeping a light tension on the canopy. This will prevent the butterfly anchors from slipping off of the "C" shaped hooks.

Installing the Canopy Using the Mounting Brackets

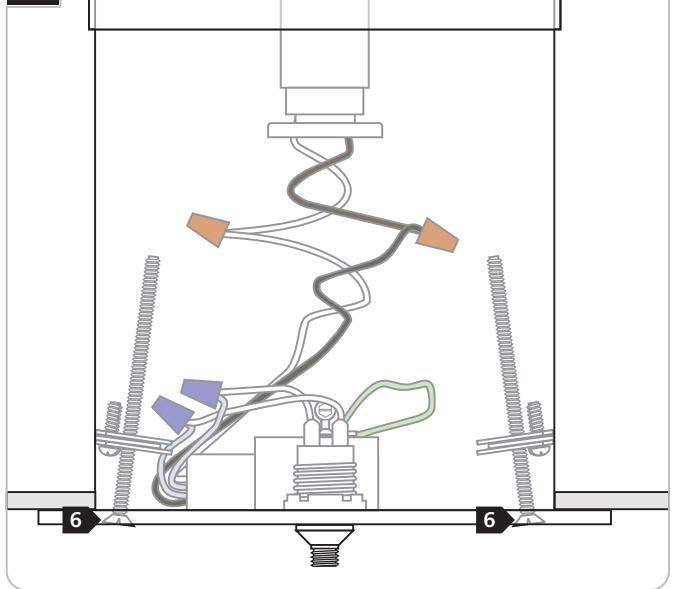


- 1 There are four mounting brackets, two with threaded holes and two with clearance holes. Each set uses a threaded and clearance hole bracket.

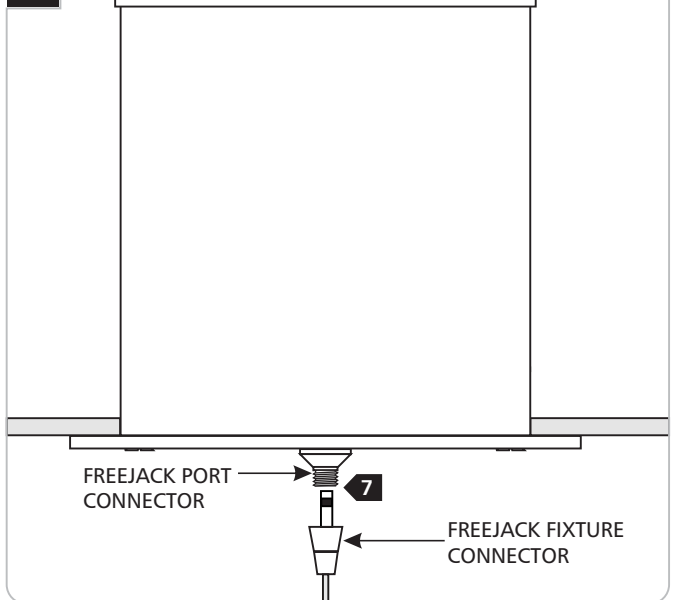
4B

- 2** Bend the "C" shaped hooks slightly down to avoid cross threading the long #10-24 screws that hold the canopy.
- 3** Lay one threaded hole bracket on top of the "C" shaped hook so that the curved section of the bracket is in contact with the inside can wall.
- 4** Similarly, from the bottom of the "C" shaped hook, hold the clearance hole bracket. Line the two bracket holes up and screw them together with the two short #8-32 screws so that these brackets clamp the "C" shaped hooks.
- 5** Repeat steps 2 through 4 for the other "C" shaped hooks.

SAVE THESE INSTRUCTIONS!

4C

- 6** Screw the long #10-24 screws into the center hole of brackets.

4D

- 7** Screw the FreeJack fixture connector into the FreeJack port connector.
- 8** Turn the power on.



TECH LIGHTING®

7400 Linder Ave, Skokie, IL 60077

847.410.4400

www.techlighting.com

© 2018 Tech Lighting, L.L.C. All rights reserved. The "Tech Lighting" graphic is a registered trademark of Tech Lighting, L.L.C. Tech Lighting reserves the right to change specifications for product improvements without notification.

A Generation Brands Company