



**GENERAL PRODUCT INFORMATION:**

These fixtures are intended to be installed utilizing NEC compliant junction boxes.

This product is suitable for wet locations.

This product may be dimmed with a low-voltage electronic dimmer or 0-10V dimmer.

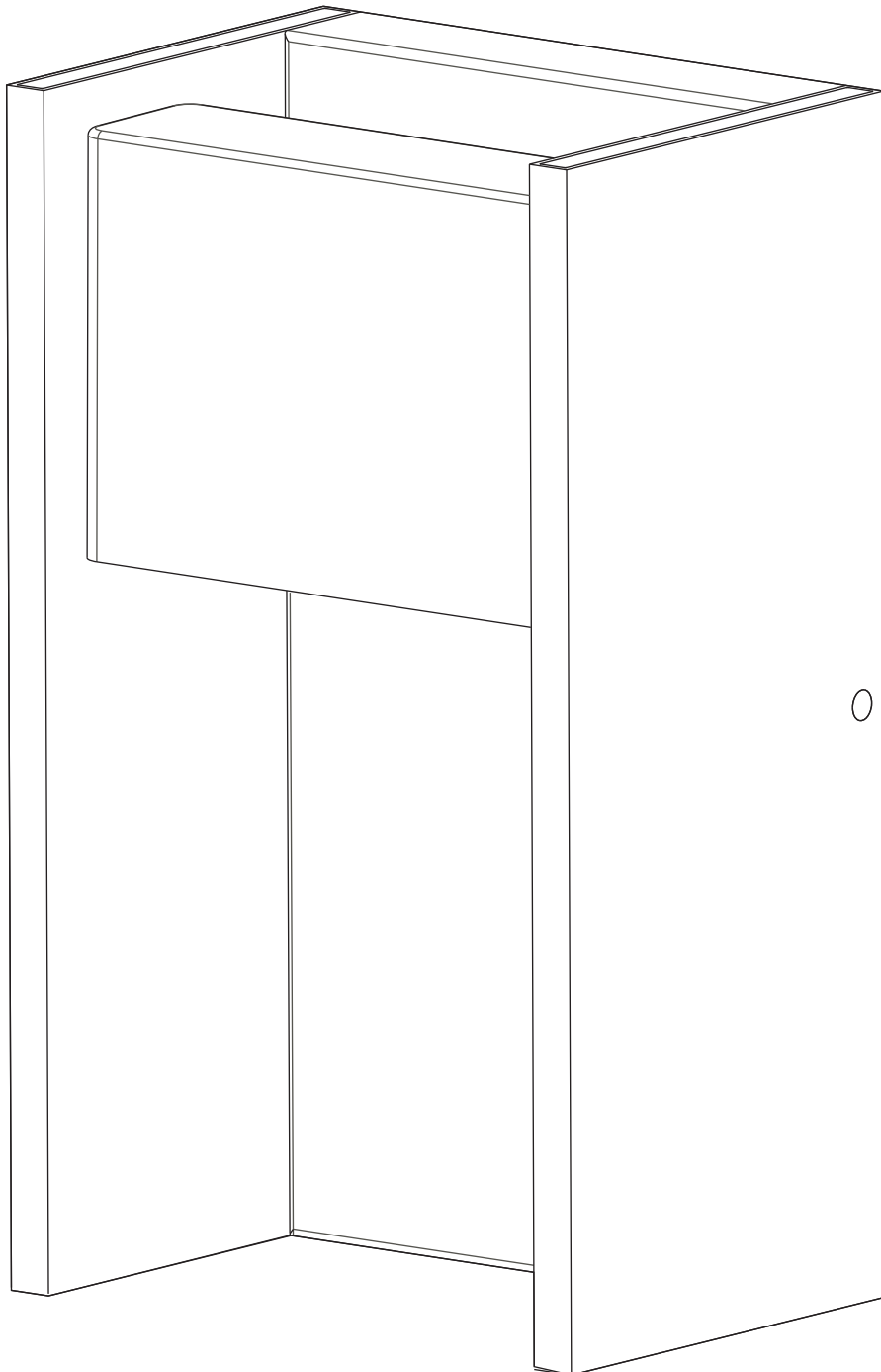
This instruction shows a typical installation.



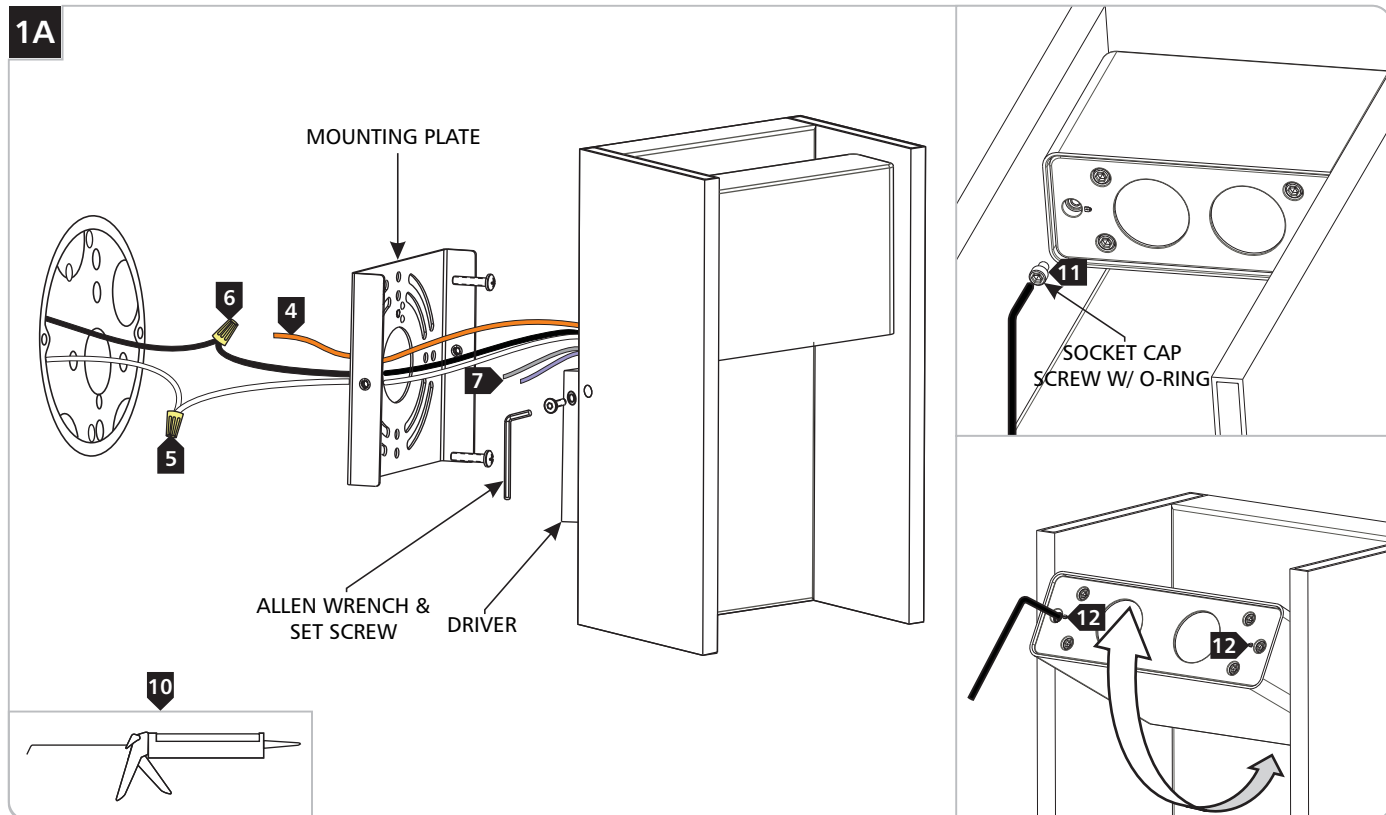
**CAUTION - RISK OF FIRE**

This product must be installed in accordance with the applicable installation code by a person familiar with the construction and operation of the product and the hazards involved.

**Use minimum 90°C supply conductors.**



## Install the Fixture



- 1 With the provided Allen wrench, remove the set screws and o-rings on both sides of the fixture base.
- 2 Remove the mounting plate from the fixture base
- 3 Install the mounting plate to the junction box with the two #8-32 screws provided.
- 4 Connect the fixture to a suitable ground in accordance with local electrical codes.
- 5 Connect the white driver wire to the neutral power line.
- 6 Connect the black driver wire to the hot power line.
- 7 Use the gray and purple dimming wires for 0-10v dimming application (if not in use, make sure to cap these wires off). **Warning:** The purple and gray wires are only used for 0-10v dimming. For all other applications, do not connect the gray and purple wires.
- 8 Properly place the driver, all wires, and wire nut connections into the fixture base.
- 9 Mount the fixture back onto the mounting plate and reinstall the set screws and o-rings (reversal of step 1A).
- 10 **For wet locations**, caulk around the fixture base with waterproof construction sealant.
- 11 To adjust the head angle, on each side of the head remove the screws with the O-ring to access the locking set screws.  
**NOTE: Maximum rotation of the fixture head is 240°**
- 12 Loosen (**do not remove**) the locking set screws on each side and adjust the head to the desired angle. Re-tighten the locking set screws and re-install the screws with the O-rings.

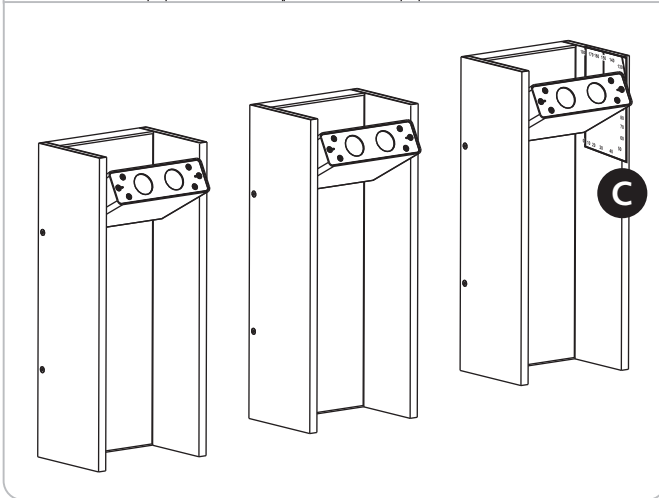
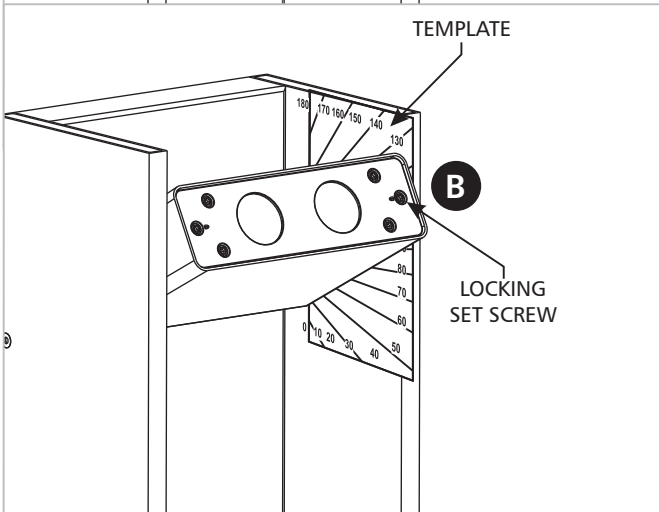
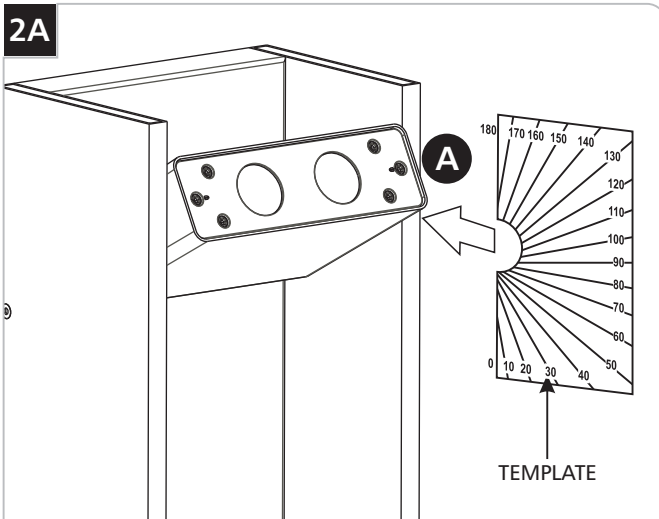
**Note for In-Line Fuse equipped fixtures:** in the case that the fixture is not operating correctly, make sure to check the fuse.

**Note for Photocell equipped fixtures:** at initial power up, the photocell must calibrate which will cause the fixture to cycle on/off for a moment.

**Warning:** The purple and gray wires are only used for 0-10v dimming. For all other applications, do not connect the gray and purple wires.

# Adjust Multiple Fixture Heads

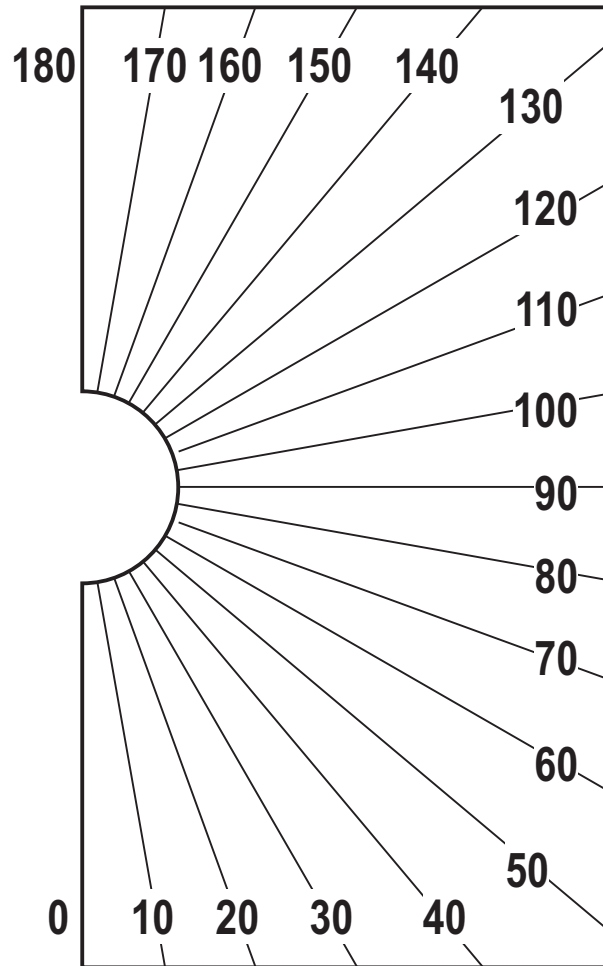
2A



- 1 Use the following instructions along with the provided template to adjust multiple fixtures to the same angle:
  - a Insert the template in between the head and fixture, then align the template edge with the fixture edge.
  - b Adjust the head to the desired angle and take note of the angle using the locking set screw as a guide in reference to the template.
  - c Adjust the other fixtures to the same angle using the template and locking set screw as a point of reference.

# FIXTURE HEAD PROTRACTOR TEMPLATE

**WARNING:** If printing this template, ensure printer settings are set to actual size.



**SAVE THESE INSTRUCTIONS!**



**TECH LIGHTING®**  
7400 Linder Ave, Skokie, IL 60077  
847.410.4400

[www.techlighting.com](http://www.techlighting.com)

© 2018 Tech Lighting, L.L.C. All rights reserved. The "Tech Lighting" graphic is a registered trademark of Tech Lighting, L.L.C. Tech Lighting reserves the right to change specifications for product improvements without notification.

A Generation Brands Company



**GENERAL PRODUCT INFORMATION:**

These fixtures are intended to be installed utilizing NEC compliant junction boxes.

This product is suitable for wet locations.

This product may be dimmed with a low-voltage electronic dimmer or 0-10V dimmer.

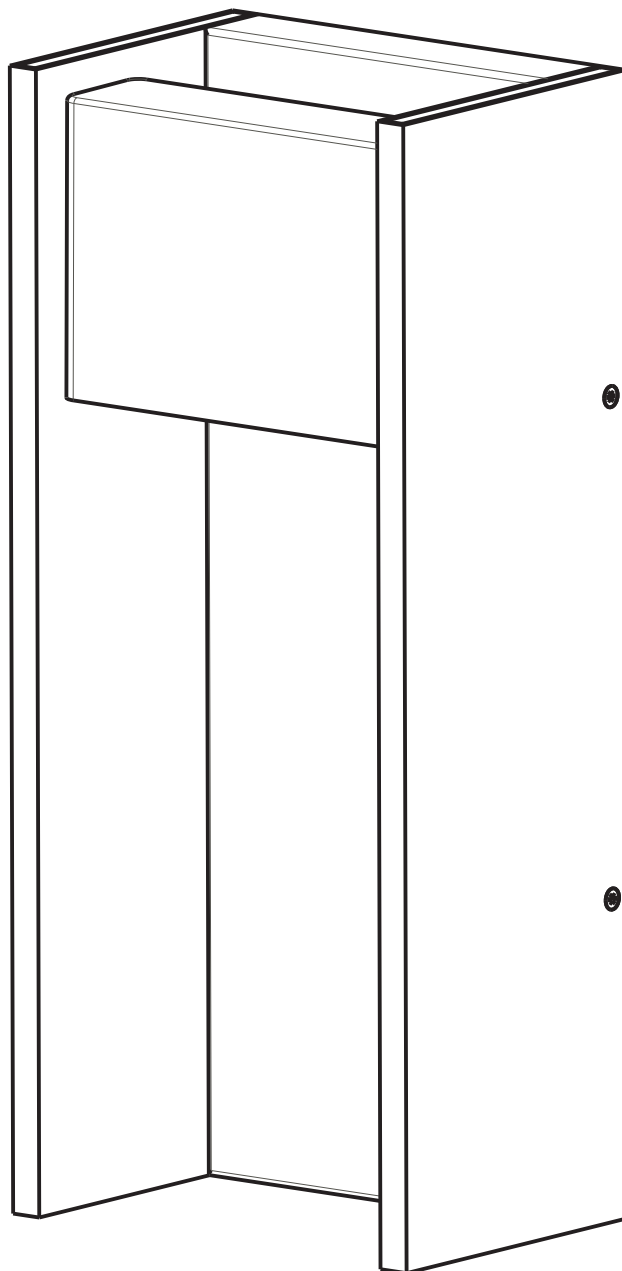
This instruction shows a typical installation.



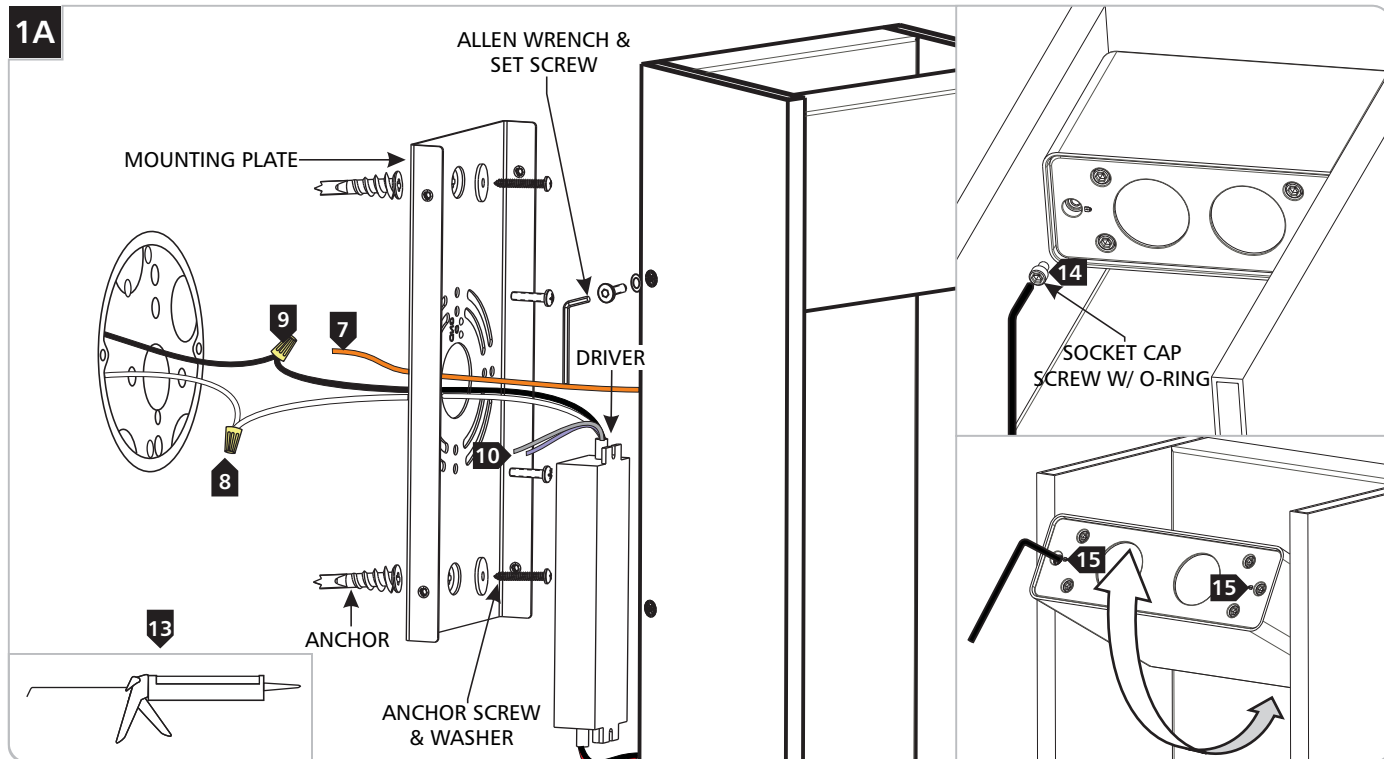
**CAUTION - RISK OF FIRE**

This product must be installed in accordance with the applicable installation code by a person familiar with the construction and operation of the product and the hazards involved.

**Use minimum 90°c supply conductors.**



## Install the Fixture



- 1 With the provided Allen wrench, remove the set screws and o-rings on both sides of the fixture base.
- 2 Remove the mounting plate from the fixture base
- 3 Install the mounting plate to the junction box with the two #8-32 screws provided.
- 4 Verify that the mounting plate is level before continuing. Line up an anchor tip with the center of an anchor hole, and push the anchor into the wall up to the threads.
- 5 Screw the anchor in the rest of the way with a Phillips-head screwdriver. Repeat for the other anchor hole.
- 6 Slide an anchor screw through a washer, and screw it into an anchor to secure the fixture base to the wall.
- 7 Connect the fixture to a suitable ground in accordance with local electrical codes.
- 8 Connect the white driver wire to the neutral power line.
- 9 Connect the black driver wire to the hot power line.
- 10 Use the gray and purple dimming wires for 0-10v dimming application (if not in use, make sure to cap these wires off). **Warning:** The purple and gray wires are only used for 0-10v dimming. For all other applications, do not connect the gray and purple wires.
- 11 Properly place the driver, all wires, and wire nut connections into the fixture base.
- 12 Mount the fixture back onto the mounting plate and reinstall the set screws and o-rings (reversal of step 1A).
- 13 **For wet locations**, caulk around the fixture base with waterproof construction sealant.
- 14 To adjust the head angle, on each side of the head remove the socket screws with the O-ring to access the locking set screws.  
**NOTE: Maximum rotation of the fixture head is 240°**
- 15 Loosen (**do not remove**) the locking set screws on each side and adjust the head to the desired angle. Re-tighten the locking set screws and re-install the socket screws with the O-rings.

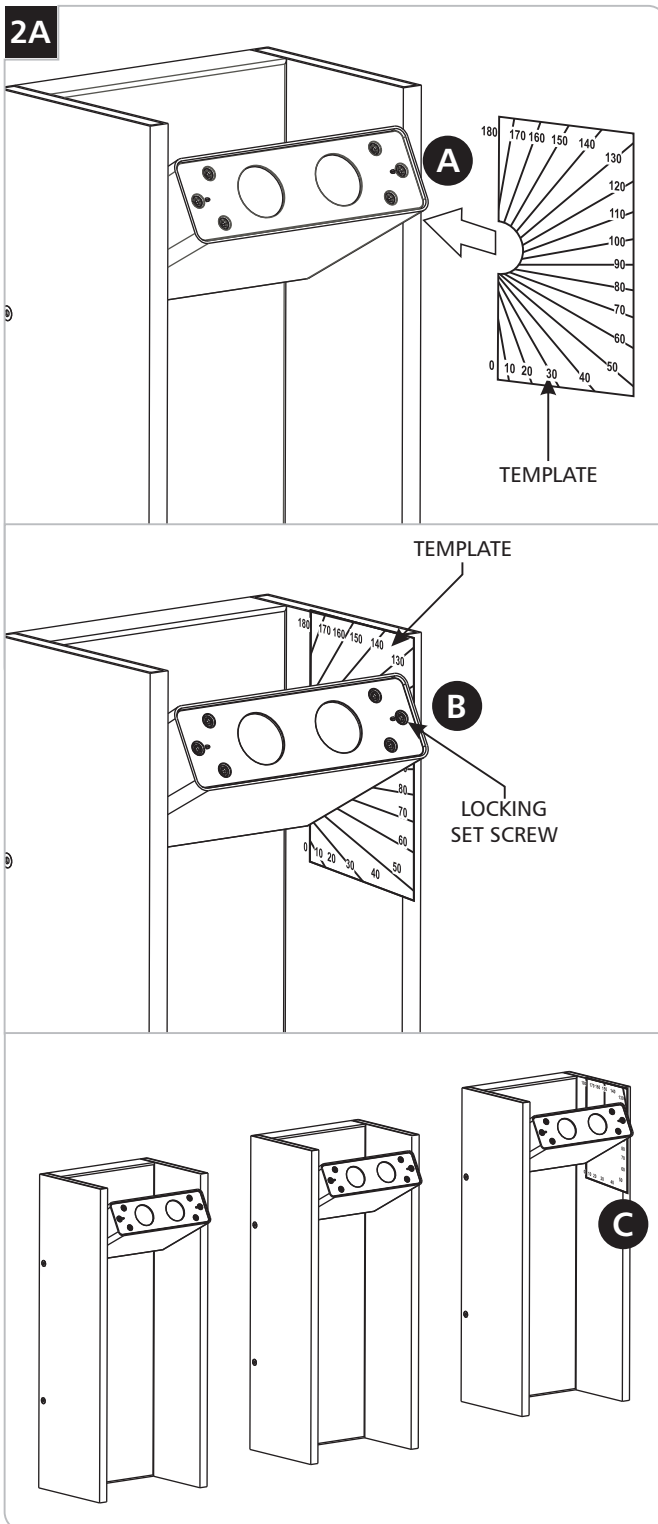
**Note for In-Line Fuse equipped fixtures:** in the case that the fixture is not operating correctly, make sure to check the fuse.

**Note for Photocell equipped fixtures:** at initial power up, the photocell must calibrate which will cause the fixture to cycle on/off for a moment.

**Warning:** The purple and gray wires are only used for 0-10v dimming. For all other applications, do not connect the gray and purple wires.

## Adjust Multiple Fixture Heads

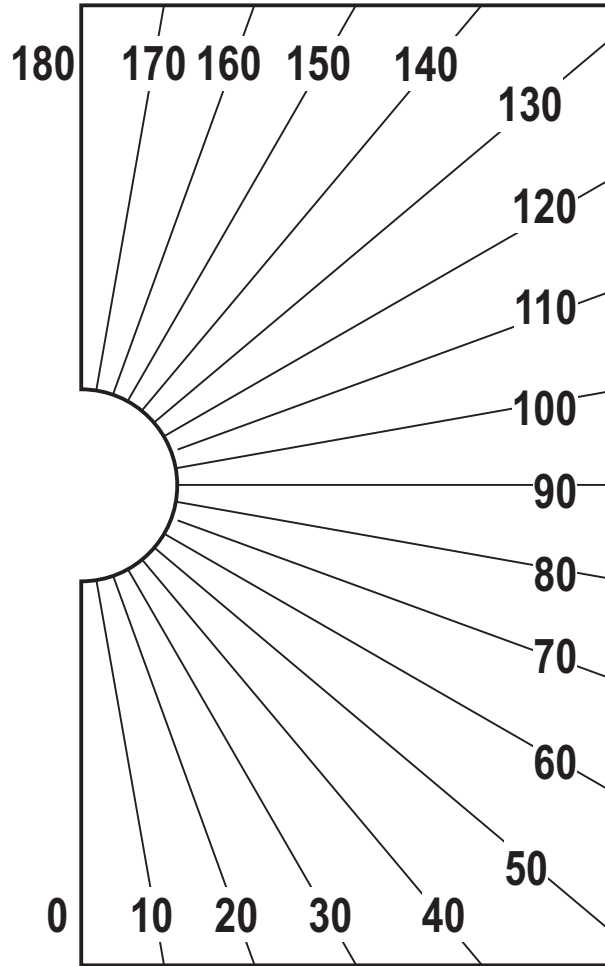
2A



- 1** Use the following instructions along with the provided template to adjust multiple fixtures to the same angle:
  - a** Insert the template in between the head and fixture, then align the template edge with the fixture edge.
  - b** Adjust the head to the desired angle and take note of the angle using the locking set screw as a guide in reference to the template.
  - c** Adjust the other fixtures to the same angle using the template and locking set screw as a point of reference.

# FIXTURE HEAD PROTRACTOR TEMPLATE

**WARNING:** If printing this template, ensure printer settings are set to actual size.



**SAVE THESE INSTRUCTIONS!**



**TECH LIGHTING®**

7400 Linder Ave, Skokie, IL 60077

847.410.4400

[www.techlighting.com](http://www.techlighting.com)

© 2018 Tech Lighting, L.L.C. All rights reserved. The "Tech Lighting" graphic is a registered trademark of Tech Lighting, L.L.C. Tech Lighting reserves the right to change specifications for product improvements without notification.

A Generation Brands Company