

Exhibiting Tech Lighting's refined and unadorned minimalist aesthetic, the Zur Collection of wall sconces feature an innovative pivot design that aims light precisely as needed for way finding, architectural accents or landscape illumination. The elegant Zur Outdoor Collection blends seamlessly and inconspicuously into contemporary architecture and landscapes while providing efficient LED illumination.

Outstanding protection against the elements:

- Marine-grade powder coat finishes
- Stainless Steel mounting hardware
- IP-65 rated

Head pivots 240° for wall grazing or directional illumination

SPECIFICATIONS

LUMENS	45°: 891, 0°: 660
WATTS	11
VOLTAGE	Universal 120-277V, with integral transient 2.5kV surge protection (driver)
DIMMING	0-10, ELV
LIGHT DISTRIBUTION	Adjustable
OPTICS	40° (2)
MOUNTING OPTIONS	Wall
ADJUSTABILITY	Head pivots 240°
PERFORMANCE OPTIONS	Photocontrol / In-Line Fuse
CCT	2700K, 3000K or 4000K
CRI	90+
COLOR BINNING	3 Step
BUG RATING	45°: B0-U1-G1, 0°: B1-U0-G0
DARK SKY	Compliant (Aimed down)
WET LISTED	IP65
GENERAL LISTING	ETL
CALIFORNIA TITLE 24	Can be used to comply with CEC 2016 Title 24 Part 6 for outdoor use. Registration with CEC Appliance Database not required.
START TEMP	-30°C
FIELD SERVICEABLE LED	Yes
CONSTRUCTION	Aluminum
HARDWARE	Stainless Steel
FINISH	Marine Grade Powder Coat
LED LIFETIME	L70; 70,000 Hours
WARRANTY*	5 Years



ZUR 12 WALL
shown in black



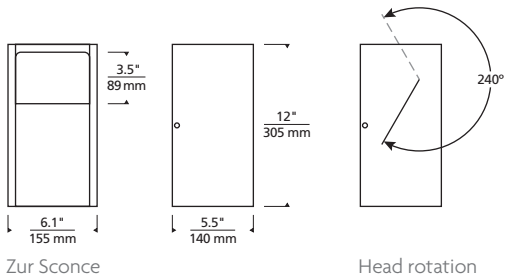
ZUR 12 WALL
shown in bronze

* Visit techlighting.com for specific warranty limitations and details.

ORDERING INFORMATION

7000WZUR	CRI/CCT	LENGTH	FINISH	VOLTAGE	DISTRIBUTION	OPTIONS
927	90 CRI, 2700K	12 12"	Z BRONZE	UNV 120V-277V	A ADJUSTABLE	NONE
930	90 CRI, 3000K		B BLACK			PC BUTTON PHOTOCONTROL
940	90 CRI, 4000K					LF IN-LINE FUSE

ZUR 12 WALL SCONCE



PHOTOMETRICS*

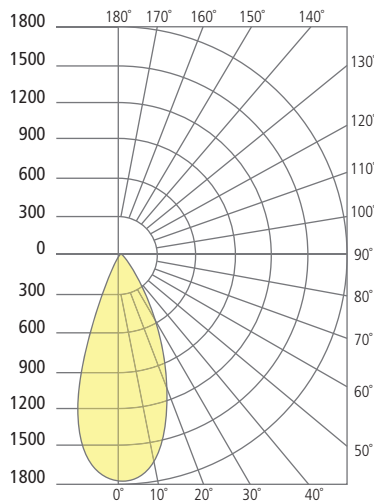
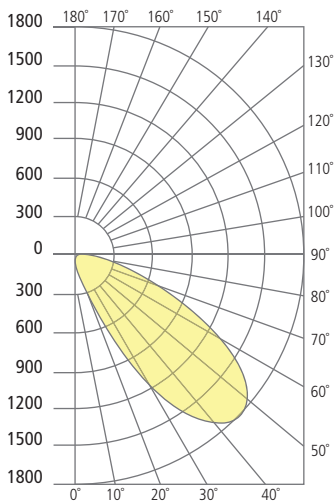
*For latest photometrics, please visit www.techlighting.com/OUTDOOR

ZUR 12 WALL - 45°

Total Lumen Output: 891
 Total Power: 11.4
 Luminaire Efficacy: 78
 Color Temp: 3000K
 CRI: 90+
 BUG Rating: B0-U1-G1

ZUR 12 WALL - 0°

Total Lumen Output: 660
 Total Power: 11.4
 Luminaire Efficacy: 58
 Color Temp: 3000K
 CRI: 90+
 BUG Rating: B1-U0-G0



PROJECT INFO

FIXTURE TYPE & QUANTITY

JOB NAME & INFO

NOTES



© 2018 Tech Lighting, L.L.C. All rights reserved. The "Tech Lighting" graphic is a registered trademark of Tech Lighting, L.L.C. Tech Lighting reserves the right to change specifications for product improvements without notification.



GENERATION BRANDS
 7400 Linder Avenue, Skokie, Illinois 60077
 T 847.410.4400 F 847.410.4500

Exhibiting Tech Lighting's refined and unadorned minimalist aesthetic, the Zur Collection of wall sconces feature an innovative pivot design that aims light precisely as needed for way finding, architectural accents or landscape illumination. The elegant Zur Outdoor Collection blends seamlessly and inconspicuously into contemporary architecture and landscapes while providing efficient LED illumination.

Outstanding protection against the elements:

- Marine-grade powder coat finishes
- Stainless Steel mounting hardware
- IP-65 rated

Head pivots 240° for wall grazing or directional illumination

SPECIFICATIONS

LUMENS	45°: 1613, 0°: 910
WATTS	20
VOLTAGE	Universal 120-277V, with integral transient 2.5kV surge protection (driver)
DIMMING	0-10, ELV
LIGHT DISTRIBUTION	Adjustable
OPTICS	40° (2)
MOUNTING OPTIONS	Wall
ADJUSTABILITY	Head pivots 240°
PERFORMANCE OPTIONS	Photocontrol / In-Line Fuse
CCT	2700K, 3000K or 4000K
CRI	90+
COLOR BINNING	3 Step
BUG RATING	45° B0-U1-G1, 0°: B1-U0-G0
DARK SKY	Compliant (Aimed down)
WET LISTED	IP65
GENERAL LISTING	ETL
CALIFORNIA TITLE 24	Can be used to comply with CEC 2016 Title 24 Part 6 for outdoor use. Registration with CEC Appliance Database not required.
START TEMP	-30°C
FIELD SERVICEABLE LED	Yes
CONSTRUCTION	Aluminum
HARDWARE	Stainless Steel
FINISH	Marine Grade Powder Coat
LED LIFETIME	L70; 70,000 Hours
WARRANTY*	5 Years



ZUR 18 WALL
shown in black



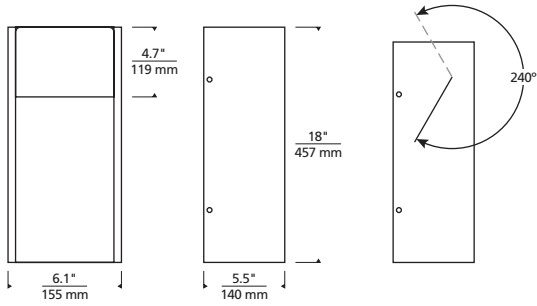
ZUR 18 WALL
shown in bronze

* Visit techlighting.com for specific warranty limitations and details.

ORDERING INFORMATION

7000WZUR	CRI/CCT	LENGTH	FINISH	VOLTAGE	DISTRIBUTION	OPTIONS
927	90 CRI, 2700K	18 18"	Z BRONZE	UNV 120V-277V	A ADJUSTABLE	NONE
930	90 CRI, 3000K		B BLACK			PC BUTTON PHOTOCONTROL
940	90 CRI, 4000K					LF IN-LINE FUSE

ZUR 18 WALL SCNCE



Zur Scence

Head rotation

PHOTOMETRICS*

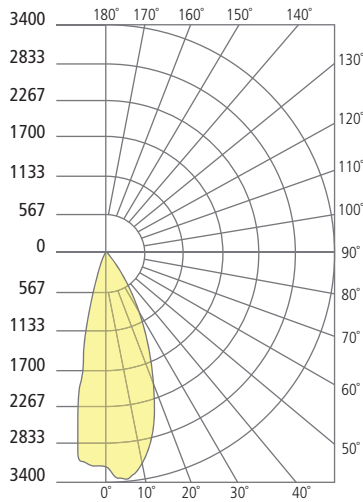
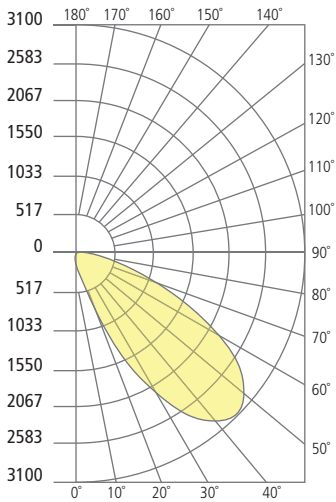
*For latest photometrics, please visit www.techlighting.com/OUTDOOR

ZUR 18 WALL - 45°

Total Lumen Output: 1613
 Total Power: 20.4
 Luminaire Efficacy: 79
 Color Temp: 3000K
 CRI: 90+
 BUG Rating: B0-U1-G1

ZUR 18 WALL - 0°

Total Lumen Output: 910
 Total Power: 20.4
 Luminaire Efficacy: 79
 Color Temp: 3000K
 CRI: 90+
 BUG Rating: B1-U0-G0



PROJECT INFO

FIXTURE TYPE & QUANTITY

JOB NAME & INFO

NOTES



GENERATION BRANDS
 7400 Linder Avenue, Skokie, Illinois 60077
 T 847.410.4400 F 847.410.4500



© 2018 Tech Lighting, L.L.C. All rights reserved. The "Tech Lighting" graphic is a registered trademark of Tech Lighting, L.L.C. Tech Lighting reserves the right to change specifications for product improvements without notification.

Exhibiting Tech Lighting's refined and unadorned minimalist aesthetic, the Zur Collection of wall sconces feature an innovative pivot design that aims light precisely as needed for way finding, architectural accents or landscape illumination. The elegant Zur Outdoor Collection blends seamlessly and inconspicuously into contemporary architecture and landscapes while providing efficient LED illumination.

Outstanding protection against the elements:

- Marine-grade powder coat finishes
- Stainless Steel mounting hardware
- IP-65 rated

Head pivots 240° for wall grazing or directional illumination

SPECIFICATIONS

LUMENS	45°: 1613, 0°: 910
WATTS	20
VOLTAGE	Universal 120-277V, with integral transient 2.5kV surge protection (driver)
DIMMING	0-10, ELV
LIGHT DISTRIBUTION	Adjustable
OPTICS	40° (2)
MOUNTING OPTIONS	Wall
ADJUSTABILITY	Head pivots 240°
PERFORMANCE OPTIONS	Photocontrol / In-Line Fuse
CCT	2700K, 3000K or 4000K
CRI	90+
COLOR BINNING	3 Step
BUG RATING	45°: B0-U1-G1, 0°: B1-U0-Go
DARK SKY	Compliant (Aimed down)
WET LISTED	IP65
GENERAL LISTING	ETL
CALIFORNIA TITLE 24	Can be used to comply with CEC 2016 Title 24 Part 6 for outdoor use. Registration with CEC Appliance Database not required.
START TEMP	-30°C
FIELD SERVICEABLE LED	Yes
CONSTRUCTION	Aluminum
HARDWARE	Stainless Steel
FINISH	Marine Grade Powder Coat
LED LIFETIME	L70; 70,000 Hours
WARRANTY*	5 Years

* Visit techlighting.com for specific warranty limitations and details.



ZUR 24 WALL
shown in black

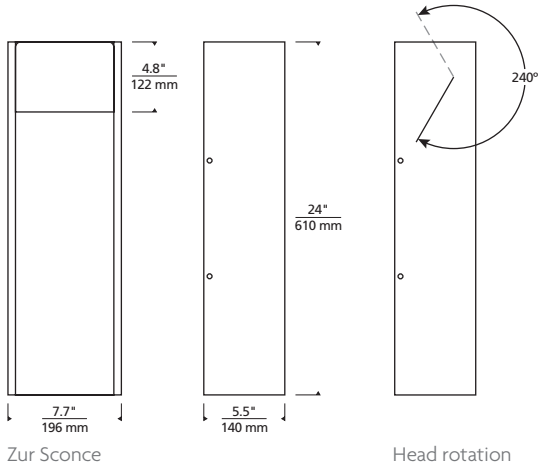


ZUR 24 WALL
shown in bronze

ORDERING INFORMATION

7000WZUR	CRI/CCT	LENGTH	FINISH	VOLTAGE	DISTRIBUTION	OPTIONS
927	90 CRI, 2700K	24 24"	Z BRONZE	UNV 120V-277V	A ADJUSTABLE	NONE
930	90 CRI, 3000K		B BLACK			PC BUTTON PHOTOCONTROL
940	90 CRI, 4000K					LF IN-LINE FUSE

ZUR 24 WALL SCNCE



PHOTOMETRICS*

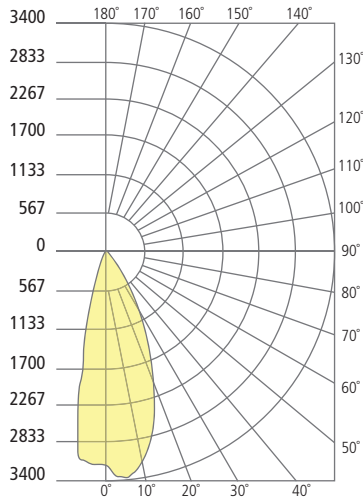
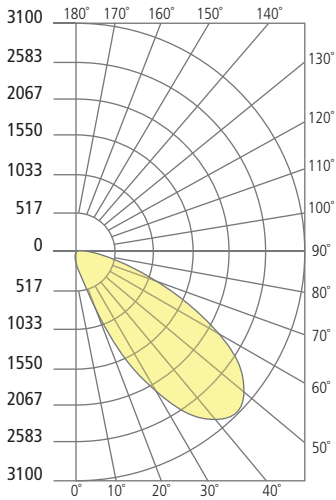
*For latest photometrics, please visit www.techlighting.com/OUTDOOR

ZUR 24 WALL - 45°

Total Lumen Output:	1613
Total Power:	20.4
Luminaire Efficacy:	79
Color Temp:	3000K
CRI:	90+
BUG Rating:	B0-U1-G1

ZUR 24 WALL - 0°

Total Lumen Output:	910
Total Power:	20.4
Luminaire Efficacy:	44
Color Temp:	3000K
CRI:	90+
BUG Rating:	B1-U0-G0



PROJECT INFO

FIXTURE TYPE & QUANTITY

JOB NAME & INFO

NOTES



© 2018 Tech Lighting, L.L.C. All rights reserved. The "Tech Lighting" graphic is a registered trademark of Tech Lighting, L.L.C. Tech Lighting reserves the right to change specifications for product improvements without notification.



GENERATION BRANDS
7400 Linder Avenue, Skokie, Illinois 60077
T 847.410.4400 F 847.410.4500