

The scale and classic profile of the Bowman pendant make a strong design statement in both residential and commercial outdoor environments. Featuring a spun aluminum body and subtle diffuser, the Bowman pendant houses a powerful LED light source designed to deliver softly diffused down lighting for controlled and distinctive illumination.

Outstanding protection against the elements:

- Marine-grade powder coat finishes
- Stainless Steel mounting hardware
- Impact-resistant, UV stabilized lensing
- IP-65 Rated

Adjustable distance from ceiling

SPECIFICATIONS

DELIVERED LUMENS	1320
WATTS	21
VOLTAGE	Universal 120-277V
DIMMING	0-10, ELV, TRIAC
LIGHT DISTRIBUTION	Symmetric
MOUNTING OPTIONS	Ceiling
ADJUSTABILITY	Adjustable stem length (3", 6" and 12"). Integrated ball joint that accommodates sloped ceiling up to 45°.
CCT	2700K, 3000K or 4000K
CRI	90+
COLOR BINNING	3 Step
BUG RATING	B1-U2-G1
DARK SKY	Non-compliant
WET LISTED	IP65
GENERAL LISTING	ETL
CALIFORNIA TITLE 24	Can be used to comply with CEC 2016 Title 24 Part 6 for outdoor use. Registration with CEC Appliance Database not required.
START TEMP	-30°C
FIELD SERVICEABLE LED	Yes
CONSTRUCTION	Aluminum
HARDWARE	Stainless Steel
FINISH	Marine Grade Powder Coat
LED LIFETIME	L70; 70,000 Hours
WARRANTY*	5 Years

* Visit techlighting.com for specific warranty limitations and details.



BOWMAN 12 PENDANT
shown in charcoal



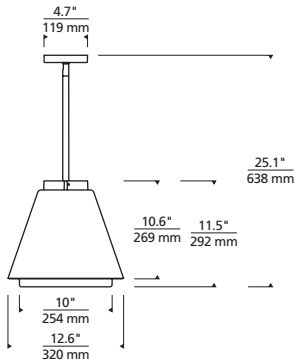
BOWMAN 12 PENDANT
shown in bronze

ORDERING INFORMATION

7000PBOW	CRI / CCT	WIDTH	FINISH	VOLTAGE
927	90 CRI, 2700K	12 12"	Z BRONZE	UNV 120V-277V
930	90 CRI, 3000K		H CHARCOAL	
940	90 CRI, 4000K		B BLACK	

RIGID STEM ONLY (ADJUSTABLE 3", 6" AND 12" LENGTHS)

BOWMAN 12 OUTDOOR PENDANT



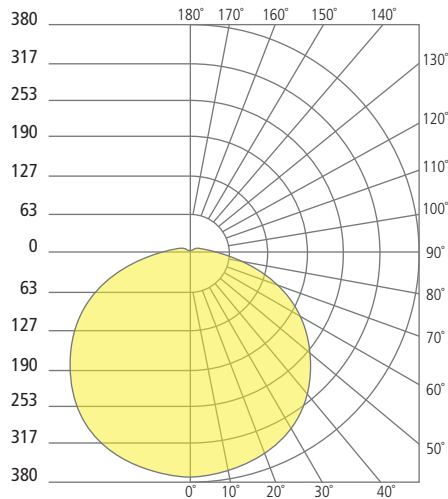
Bowman Pendant

PHOTOMETRICS*

*For latest photometrics, please visit www.techlighting.com/OUTDOOR

BOWMAN 12 PENDANT

Total Lumen Output: 1320
 Total Power: 21
 Luminaire Efficacy: 63
 Color Temp: 4000K
 CRI: 90+
 BUG Rating: B1-U2-G1



PROJECT INFO

FIXTURE TYPE & QUANTITY

JOB NAME & INFO

NOTES



GENERATION BRANDS
 7400 Linder Avenue, Skokie, Illinois 60077

T 847.410.4400 F 847.410.4500



© 2018 Tech Lighting, L.L.C. All rights reserved. The "Tech Lighting" graphic is a registered trademark of Tech Lighting, L.L.C. Tech Lighting reserves the right to change specifications for product improvements without notification.

BOWMAN 18 OUTDOOR PENDANT



The scale and classic profile of the Bowman pendant make a strong design statement in both residential and commercial outdoor environments. Featuring a spun aluminum body and subtle diffuser, the Bowman pendant houses a powerful LED light source designed to deliver softly diffused down lighting for controlled and distinctive illumination.

Outstanding protection against the elements:

- Marine-grade powder coat finishes
- Stainless Steel mounting hardware
- Impact-resistant, UV stabilized lensing
- IP-65 Rated

Adjustable distance from ceiling

SPECIFICATIONS

DELIVERED LUMENS	2556
WATTS	36
VOLTAGE	Universal 120-277V
DIMMING	0-10, ELV, TRIAC
LIGHT DISTRIBUTION	Symmetric
MOUNTING OPTIONS	Ceiling
ADJUSTABILITY	Adjustable stem length (3", 6" and 12"). Integrated ball joint that accommodates sloped ceiling up to 45°.
CCT	2700K, 3000K or 4000K
CRI	90+
COLOR BINNING	3 Step
BUG RATING	B1-U2-G1
DARK SKY	Non-compliant
WET LISTED	IP65
GENERAL LISTING	ETL
CALIFORNIA TITLE 24	Can be used to comply with CEC 2016 Title 24 Part 6 for outdoor use. Registration with CEC Appliance Database not required.
START TEMP	-30°C
FIELD SERVICEABLE LED	Yes
CONSTRUCTION	Aluminum
HARDWARE	Stainless Steel
FINISH	Marine Grade Powder Coat
LED LIFETIME	L70; 70,000 Hours
WARRANTY*	5 Years

* Visit techlighting.com for specific warranty limitations and details.



BOWMAN 18 PENDANT
shown in charcoal



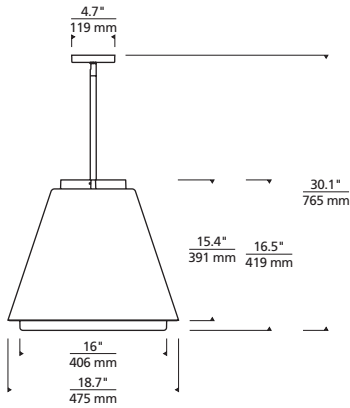
BOWMAN 18 PENDANT
shown in bronze

ORDERING INFORMATION

7000PBOW	CRI / CCT	WIDTH	FINISH	VOLTAGE
	927 90 CRI, 2700K	18 18"	Z BRONZE	UNV 120V-277V
	930 90 CRI, 3000K		H CHARCOAL	
	940 90 CRI, 4000K		B BLACK	

RIGID STEM ONLY (ADJUSTABLE 3", 6" AND 12" LENGTHS)

BOWMAN 18 OUTDOOR PENDANT



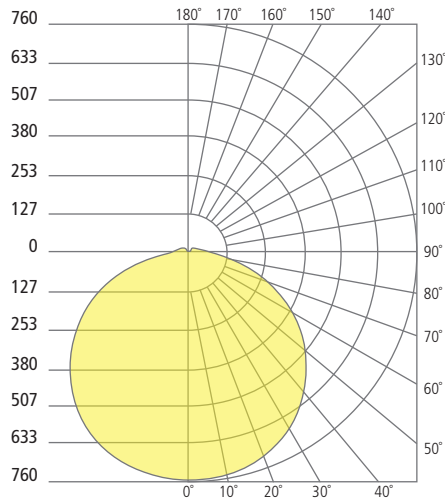
Bowman Pendant

PHOTOMETRICS*

*For latest photometrics, please visit www.techlighting.com/OUTDOOR

BOWMAN 18 PENDANT

Total Lumen Output: 2556
 Total Power: 36
 Luminaire Efficacy: 71
 Color Temp: 4000K
 CRI: 90+
 BUG Rating: B1-U2-G1



PROJECT INFO

FIXTURE TYPE & QUANTITY

JOB NAME & INFO

NOTES



© 2018 Tech Lighting, L.L.C. All rights reserved. The "Tech Lighting" graphic is a registered trademark of Tech Lighting, L.L.C. Tech Lighting reserves the right to change specifications for product improvements without notification.



GENERATION BRANDS
 7400 Linder Avenue, Skokie, Illinois 60077

T 847.410.4400 F 847.410.4500