

Strikingly elegant in its simplicity, an unembellished tubular wall sconce design creates a modern industrial look while producing abundant up and down lighting for indoor or outdoor illumination. Also available with down light only.

### Outstanding protection against the elements:

- Marine-grade powder coat finishes
- Stainless Steel mounting hardware
- Impact-resistant, UV stabilized frosted acrylic lensing

### SPECIFICATIONS

DELIVERED LUMENS	1078
WATTS	11.8
VOLTAGE	Universal 120-277V, with integral transient 2.5kV surge protection (driver)
DIMMING	0-10, ELV, TRIAC
LIGHT DISTRIBUTION	Symmetric
MOUNTING OPTIONS	Wall (Up or Down)
CCT	3000K
CRI	90+
COLOR BINNING	3-Step
BUG RATING	N/A
DARK SKY	Non-compliant
WET LISTED	IP65
GENERAL LISTING	ETL
CALIFORNIA TITLE 24	Can be used to comply with CEC 2016 Title 24 Part 6 for outdoor use. Registration with CEC Appliance Database not required.
START TEMP	-30°C
FIELD SERVICEABLE LED	Yes
CONSTRUCTION	Aluminum
HARDWARE	Stainless Steel
FINISH	Marine Grade Powder Coat
LED LIFETIME	L70; 70,000 Hours
WARRANTY*	5 Years
WEIGHT	2 lbs

\* Visit [techlighting.com](http://techlighting.com) for specific warranty limitations and details.



CHARA 12 WALL  
shown in black

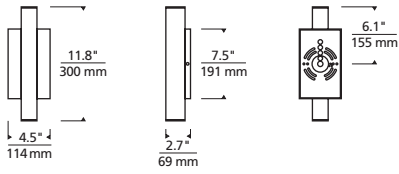


CHARA 12 WALL  
shown in satin nickel

### ORDERING INFORMATION

7000WCHA	CRI/CCT	LENGTH	FINISH	FUNCTION	VOLTAGE	DISTRIBUTION
	930 90 CRI, 3000K	12 12"	B BLACK S SATIN NICKEL	UD UPLIGHT/DOWNLIGHT	UNV 120V-277V	S SYMMETRIC

# CHARA 12 WALL SCONCE



Chara Sconce

## PHOTOMETRICS\*

\*For latest photometrics, please visit [www.techlighting.com/OUTDOOR](http://www.techlighting.com/OUTDOOR)

### CHARA WALL

Total Lumen Output:	1078
Total Power:	11.8
Luminaire Efficacy:	91
Color Temp:	3000K
CRI:	90
BUG Rating:	N/A

## PROJECT INFO

FIXTURE TYPE & QUANTITY	JOB NAME & INFO	NOTES



GENERATION BRANDS  
 7400 Linder Avenue, Skokie, Illinois 60077  
 T 847.410.4400 F 847.410.4500



© 2018 Tech Lighting, L.L.C. All rights reserved. The "Tech Lighting" graphic is a registered trademark of Tech Lighting, L.L.C. Tech Lighting reserves the right to change specifications for product improvements without notification.

Strikingly elegant in its simplicity, an unembellished tubular wall sconce design creates a modern industrial look while producing abundant up and down lighting for indoor or outdoor illumination. Also available with down light only.

### Outstanding protection against the elements:

- Marine-grade powder coat finishes
- Stainless Steel mounting hardware
- Impact-resistant, UV stabilized frosted acrylic lensing

### SPECIFICATIONS

DELIVERED LUMENS	1078
WATTS	11.8
VOLTAGE	Universal 120-277V, with integral transient 2.5kV surge protection (driver)
DIMMING	0-10, ELV, TRIAC
LIGHT DISTRIBUTION	Symmetric
MOUNTING OPTIONS	Wall (Up or Down)
CCT	3000K
CRI	90+
COLOR BINNING	3-Step
BUG RATING	N/A
DARK SKY	Non-compliant
WET LISTED	IP65
GENERAL LISTING	ETL
CALIFORNIA TITLE 24	Can be used to comply with CEC 2016 Title 24 Part 6 for outdoor use. Registration with CEC Appliance Database not required.
START TEMP	-30°C
FIELD SERVICEABLE LED	Yes
CONSTRUCTION	Aluminum
HARDWARE	Stainless Steel
FINISH	Marine Grade Powder Coat
LED LIFETIME	L70; 70,000 Hours
WARRANTY*	5 Years
WEIGHT	3 lbs.

\* Visit [techlighting.com](http://techlighting.com) for specific warranty limitations and details.



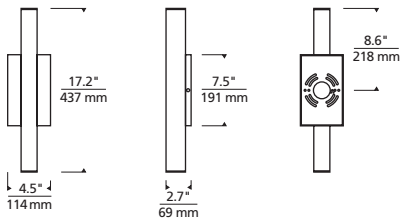
CHARA 17 WALL  
shown in black



CHARA 17 WALL  
shown in satin nickel

### ORDERING INFORMATION

7000WCHA	CRI/CCT	LENGTH	FINISH	FUNCTION	VOLTAGE	DISTRIBUTION
	930 90 CRI, 3000K	17 17"	B BLACK S SATIN NICKEL	UD UPLIGHT/DOWNLIGHT	UNV 120V-277V	S SYMMETRIC



Chara Sconce

## PHOTOMETRICS\*

\*For latest photometrics, please visit [www.techlighting.com/OUTDOOR](http://www.techlighting.com/OUTDOOR)

### CHARA WALL

Total Lumen Output:	1078
Total Power:	11.8
Luminaire Efficacy:	91
Color Temp:	3000K
CRI:	90
BUG Rating:	N/A

## PROJECT INFO

FIXTURE TYPE & QUANTITY	JOB NAME & INFO	NOTES

Strikingly elegant in its simplicity, an unembellished tubular wall sconce design creates a modern industrial look while producing abundant up and down lighting for indoor or outdoor illumination. Also available with down light only.

### Outstanding protection against the elements:

- Marine-grade powder coat finishes
- Stainless Steel mounting hardware
- Impact-resistant, UV stabilized frosted acrylic lensing

### SPECIFICATIONS

DELIVERED LUMENS	1078
WATTS	11.8
VOLTAGE	Universal 120-277V, with integral transient 2.5kV surge protection (driver)
DIMMING	0-10, ELV, TRIAC
LIGHT DISTRIBUTION	Symmetric
MOUNTING OPTIONS	Wall (Up or Down)
CCT	3000K
CRI	90+
COLOR BINNING	3-Step
BUG RATING	N/A
DARK SKY	Non-compliant
WET LISTED	IP65
GENERAL LISTING	ETL
CALIFORNIA TITLE 24	Can be used to comply with CEC 2016 Title 24 Part 6 for outdoor use. Registration with CEC Appliance Database not required.
START TEMP	-30°C
FIELD SERVICEABLE LED	Yes
CONSTRUCTION	Aluminum
HARDWARE	Stainless Steel
FINISH	Marine Grade Powder Coat
LED LIFETIME	L70; 70,000 Hours
WARRANTY*	5 Years
WEIGHT	4 lbs.

\* Visit [techlighting.com](http://techlighting.com) for specific warranty limitations and details.



CHARA 26 WALL  
shown in black

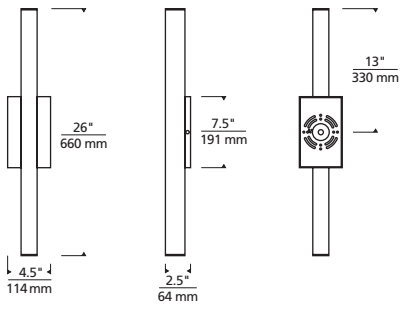


CHARA 26 WALL  
shown in satin nickel

### ORDERING INFORMATION

7000WCHA	CRI/CCT	LENGTH	FINISH	FUNCTION	VOLTAGE	DISTRIBUTION
	930 90 CRI, 3000K	26 26"	B BLACK S SATIN NICKEL	UD UPLIGHT/DOWNLIGHT	UNV 120V-277V	S SYMMETRIC

# CHARA 26 WALL SCONCE



Chara Sconce

## PHOTOMETRICS\*

\*For latest photometrics, please visit [www.techlighting.com/OUTDOOR](http://www.techlighting.com/OUTDOOR)

### CHARA WALL

Total Lumen Output:	1078
Total Power:	11.8
Luminaire Efficacy:	91
Color Temp:	3000K
CRI:	90
BUG Rating:	N/A

## PROJECT INFO

FIXTURE TYPE & QUANTITY	JOB NAME & INFO	NOTES



GENERATION BRANDS  
7400 Linder Avenue, Skokie, Illinois 60077  
T 847.410.4400 F 847.410.4500



© 2018 Tech Lighting, L.L.C. All rights reserved. The "Tech Lighting" graphic is a registered trademark of Tech Lighting, L.L.C. Tech Lighting reserves the right to change specifications for product improvements without notification.