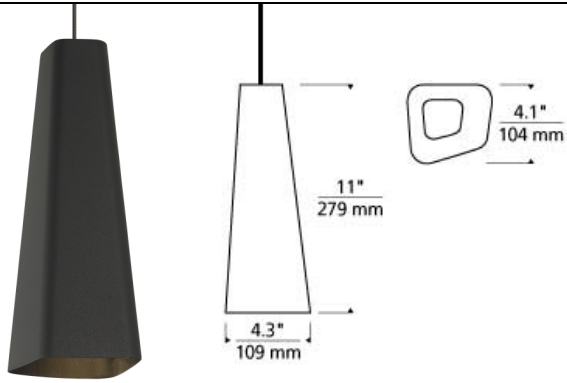


LOW - VOLTAGE PENDANTS

Rhonon Pendant LED SORAA T20

DESCRIPTION

The Rhonon pendant by Tech Lighting is the epitome of modern with its asymmetric stamped metal shade and Matt finish color options. The stamped metal shade undergoes a unique treatment process to add a natural rough cast texture, then is painted with your choice of Matt finish to yield a dramatically modern pendant with unexpected scale. The Rhonon is available in two on-trend finishes, textured black and textured white. Available lamping options include energy efficient LED or no-lamp, leaving you the option to light this fixture with your preferred lamping. The Rhonon scales at 11" in height and 4.3" in diameter making it ideal for living room lighting, dining room lighting and bedroom lighting flanking two end tables. Rated for (1) low-voltage, 50 watt max. lamp (Lamp Not Included). LED includes 12 volt 8 watt, 500 gross lumens, 3000K replaceable LED SORAA® module. Ships with six feet of field-cutable cable. Dimmable with low-voltage electronic or magnetic dimmer (based on the transformer). Works with SORAA.



INSTALLATION

Socket terminates with FreeJack male connector, which may be installed into a system connector. Elements ordered with a system prefix include a connector for that system. For use on T~TRAK, order FreeJack version and T~TRAK FreeJack Connector (sold separately).

ACCESSORIES & OPTICAL CONTROLS

Swag Hook

WEIGHT

1.66lb / 0.75kg ±



textured black / black textured white / white

ORDERING INFORMATION

700	SYSTEM	RHN	COLOR	FINISH	LAMP
FJ	FREEJACK		BB TEXTURED BLACK/BLACK	Z ANTIQUE BRONZE	12 VOLT HALOGEN
KL	KABLE LITE		WW TEXTURED WHITE/WHITE	C CHROME	-LEDS930 12 VOLT LED 90 CRI 3000K (T20/T24)
MP	MONOPOINT			S SATIN NICKEL	
MO	MONORAIL				
MO2	TWO-CIRCUIT MONORAIL				

Note. Note. MP includes 4" Round Flush Canopy.

Antique Bronze is not available for Kable Lite.

Chrome not offered on Monorail & Two~Circuit Monorail.



TECH LIGHTING®

7400 Linder Avenue T 847.410.4400
Skokie, Illinois 60077 F 847.410.4500

Tech Lighting, L.L.C.

700 ____ RHN _____

FIXTURE TYPE: _____

JOB NAME: _____

NOTES: _____

