

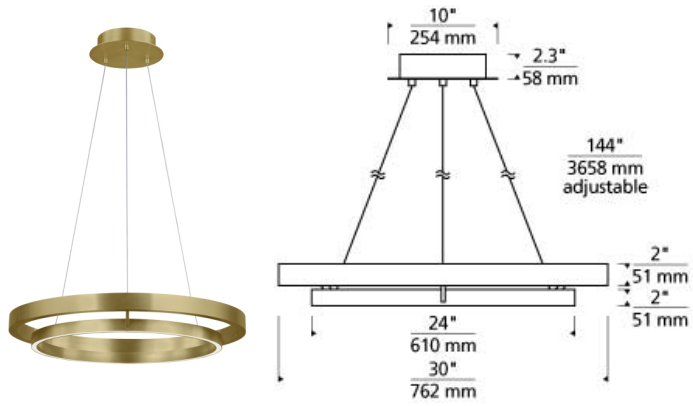
# Grace 30 Chandelier LED

## DESCRIPTION

Grace by Tech Lighting is designed with two rings that illuminate this contemporary chandelier. A large weathered oak ring has organic texture complemented by a decorative black inner ring. Featuring integrated LED technology, the Grace chandelier provides a graceful halo of light. All-brass finish also available. Offered in two large diameters, 30" and 36", to highlight your space. Lamping options are compatible with most dimmers. Refer to the Dimming Chart for more information. Includes 120 volt, 48 watt, 3392 total delivered lumens, 3000K LED module. Dimmable with most LED compatible ELV and TRIAC dimmers. Ships with 12 feet of field-cutable cable.

## WEIGHT

17-17lb / 7.71-7.71kg ±



brass

matte  
black/weathered  
oak wood

## ORDERING INFORMATION

700GRC	LENGTH (A)	FINISH	LAMP
30	30"	<b>BR</b> BRASS <b>BW</b> MATTE BLACK/WEATHERED OAK WOOD	<b>-LED930</b> INTEGRATED LED 90CRI 3000K 120V (T24)



**TECH LIGHTING®**  
 7400 Linder Avenue T 847.410.4400  
 Skokie, Illinois 60077 F 847.410.4500

**Tech Lighting, L.L.C.**

700 GRC \_\_\_\_\_

FIXTURE TYPE: \_\_\_\_\_

JOB NAME: \_\_\_\_\_

NOTES: \_\_\_\_\_

\_\_\_\_\_

\_\_\_\_\_

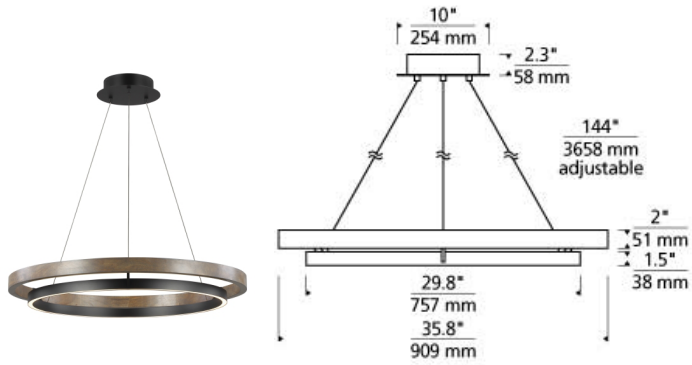
# Grace 36 Chandelier LED

## DESCRIPTION

Grace by Tech Lighting is designed with two rings that illuminate this contemporary chandelier. A large weathered oak ring has organic texture complemented by a decorative black inner ring. Featuring integrated LED technology, the Grace chandelier provides a graceful halo of light. All-brass finish also available. Offered in two large diameters, 30" and 36", to highlight your space. Lamping options are compatible with most dimmers. Refer to the Dimming Chart for more information. Includes 120 volt 72 watt, 5830 total delivered lumens, 3000K LED module. Dimmable with most LED compatible ELV and TRIAC dimmers. Ships with 12 feet of field-cutable cable.

## WEIGHT

23-23lb / 10.43-10.43kg ±



brass

matte  
black/weathered  
oak wood

## ORDERING INFORMATION

700GRC	LENGTH (A)	FINISH	LAMP
36	36"	<b>BR</b> BRASS <b>BW</b> MATTE BLACK/WEATHERED OAK WOOD	<b>-LED930</b> INTEGRATED LED 90CRI 3000K 120V (T24)



**TECH LIGHTING®**  
 7400 Linder Avenue T 847.410.4400  
 Skokie, Illinois 60077 F 847.410.4500

**Tech Lighting, L.L.C.**

700 GRC \_\_\_\_\_

FIXTURE TYPE: \_\_\_\_\_

JOB NAME: \_\_\_\_\_

NOTES: \_\_\_\_\_

\_\_\_\_\_

\_\_\_\_\_