

Grace 30 and 36 Chandelier

700GRC30, 700GRC36 1.0



GENERAL PRODUCT INFORMATION:

This product is suitable for damp locations.

These fixtures are intended to be installed utilizing NEC compliant junction boxes.

This product can be dimmed with most ELV or TRIAC dimmers.

This instruction shows a typical installation.



CAUTION - RISK OF FIRE
This product must be installed in accordance with the applicable installation code by a person familiar with the construction and operation of the product and the hazards involved.
Use minimum 90°C supply conductors.

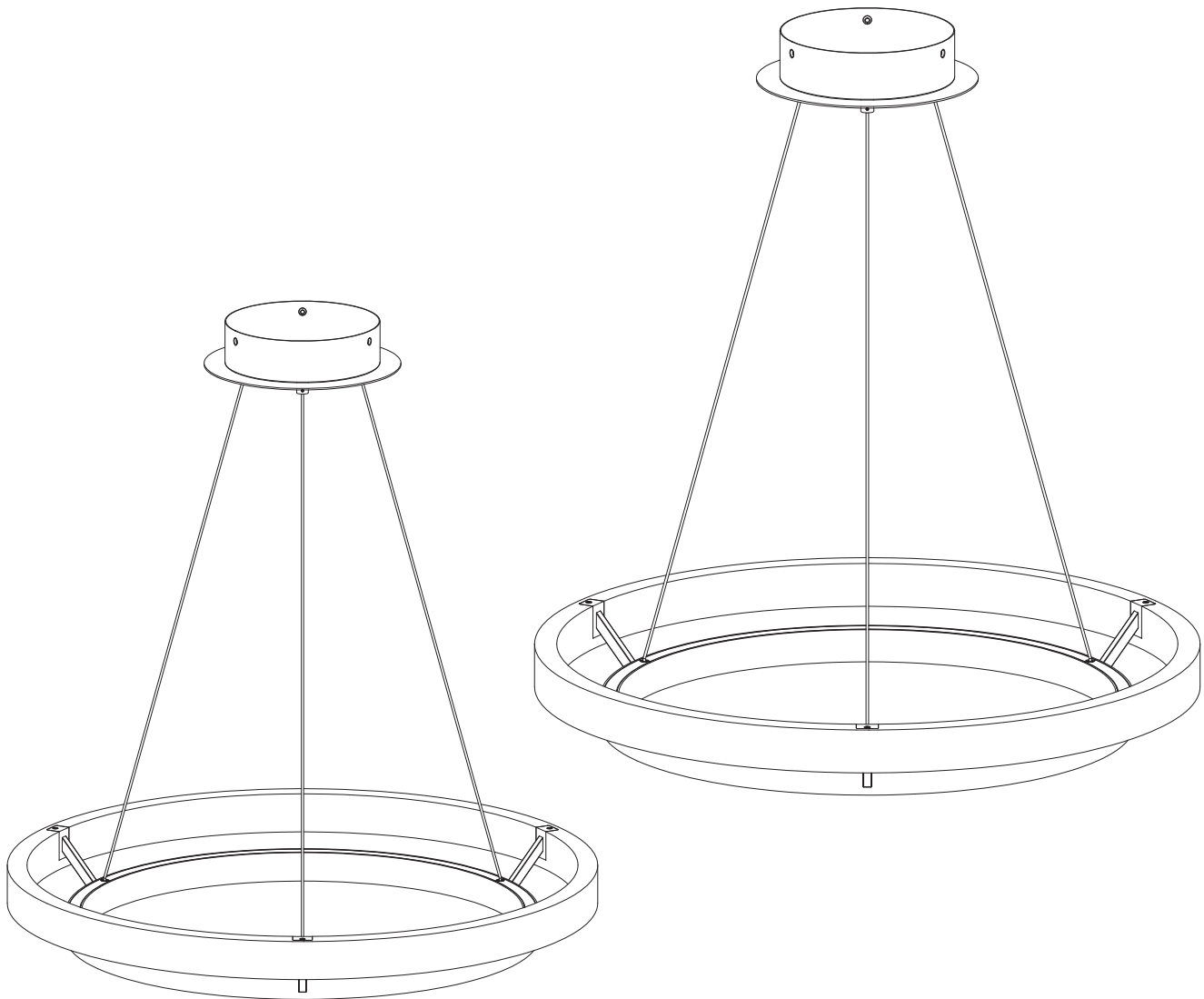
Two Person Installation Recommended



7400 Linder Ave, Skokie, IL 60077
847.410.4400

www.techlighting.com

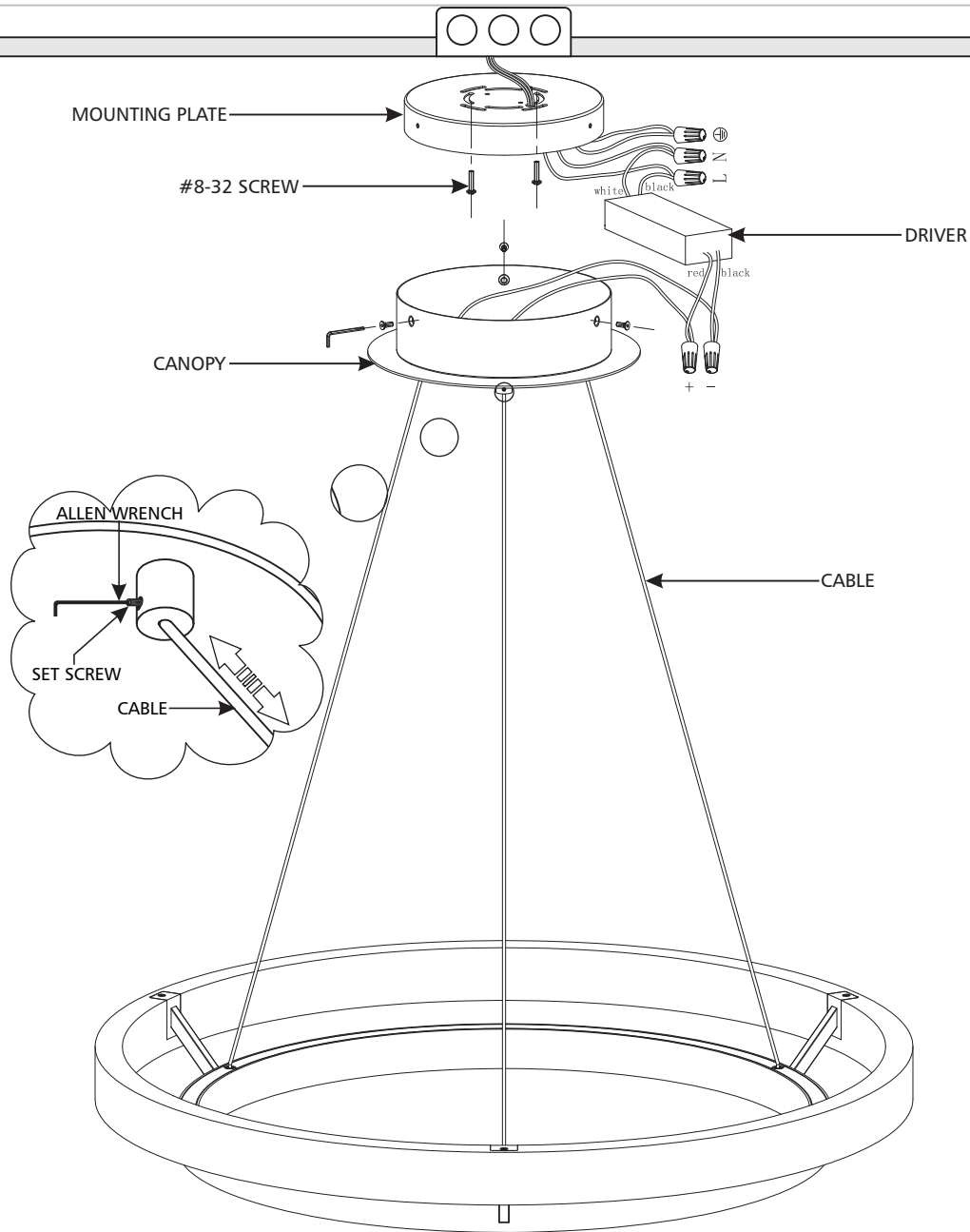
© 2019 Tech Lighting, L.L.C. All rights reserved. The "Tech Lighting" graphic is a registered trademark of Tech Lighting, L.L.C. Tech Lighting reserves the right to change specifications for product improvements without notification.
A Generation Brands Company



SAVE THESE INSTRUCTIONS!

Install the Fixture

1A



- 1 Remove all the Allen screws around the canopy using the provided Allen Wrench and remove the mounting plate.
- 2 Secure the mounting plate to the electrical box with the #8-32 screws.
- 3 Determine the desired height of the fixture, loosen the set screw on the strain relief and feed the cable into the strain relief until the desired height is achieved. Re-tighten the set screw on the strain relief to secure the cable in place. Repeat for the remaining cables.
- 4 Connect the fixture to a suitable ground in accordance with local electrical codes.
- 5 Connect the white driver wires to the neutral power line wire with a wire nut.
- 6 Connect the black driver wires to the hot power line wire with a wire nut.
- 7 **For 277V Only:** If using 0-10V dimming, connect the purple and gray wires to a compatible dimmer. If not using 0-10V dimming, cap off the purple and gray wires.
- 8 Neatly place all cables, wires, and wire nut connections inside the canopy, align the canopy holes with the mounting plate holes, and secure the canopy in place by tightening the Allen screws using the provided Allen Wrench.
NOTE: If minor adjustments to the fixture's leveling is necessary, it is recommended that one person hold the fixture straight with the use of a level while the other adjusts the cables following the steps below.
- 9 **Fine Leveling (Optional):** Loosen (do not remove) the set screws on the necessary strain relief and gently pull or push the cable in very small increments through the strain relief to adjust the height of the fixture. Re-tighten the set screw on the strain relief using the provided Allen Wrench.