

LOW - VOLTAGE HEADS

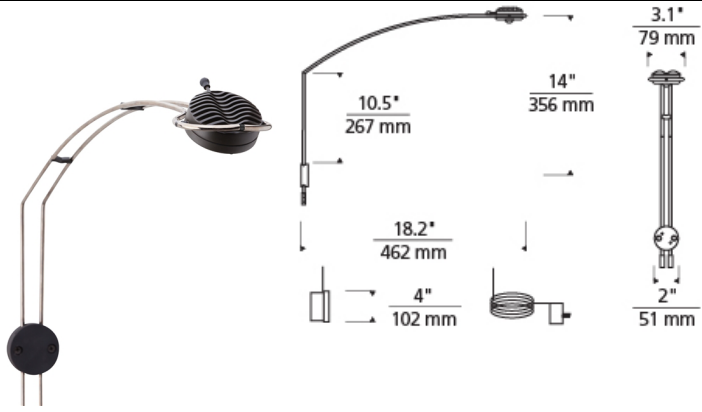
Mona Lisa Picture Light

DESCRIPTION

Specially designed for use in gallery applications, a high-powered LED module offers impressive output while maintaining high color reproduction qualities including 90+ CRI values. Most importantly, the LED light source eliminates harmful ultraviolet wavelengths common in standard halogen lamps. Head pivots 330 degrees to easily direct the beam. 7 watt, 460 net lumens. 40° optic. 50" x 50" max recommended picture dimension. Plug in version includes an integrated on/off switch and slide dimming control located on plug as standard. J-box mount version dimmable with low-voltage electronic dimmer.

WEIGHT

0.94lb / 0.43kg ±



ORDERING INFORMATION

700DEMNL5	SHAPE OR SIZE	FINISH	LAMP
CP	J-BOX MOUNT	Z ANTIQUE / POLISHED BRONZE	-LED835 LED 3500K 80 CRI 120V
PL	PLUG-IN	S SATIN / POLISHED NICKEL	-LED927 LED 2700K 90 CRI 120V



700DEMNL5 _____

FIXTURE TYPE: _____

JOB NAME: _____

NOTES: _____



©2018 Tech Lighting, L.L.C. All Rights Reserved. The "Tech Lighting" graphic is a registered trademark of Tech Lighting, L.L.C. Tech Lighting reserves the right to change specifications for product improvements without notification.