

# Orbel Ceiling

700FMOBL

1.0



**CAUTION - RISK OF FIRE**  
 This product must be installed in accordance with the applicable installation code by a person familiar with the construction and operation of the product and the hazards involved.  
 Use minimum 90°C supply conductors.

### GENERAL PRODUCT INFORMATION:

This product is suitable for damp locations.

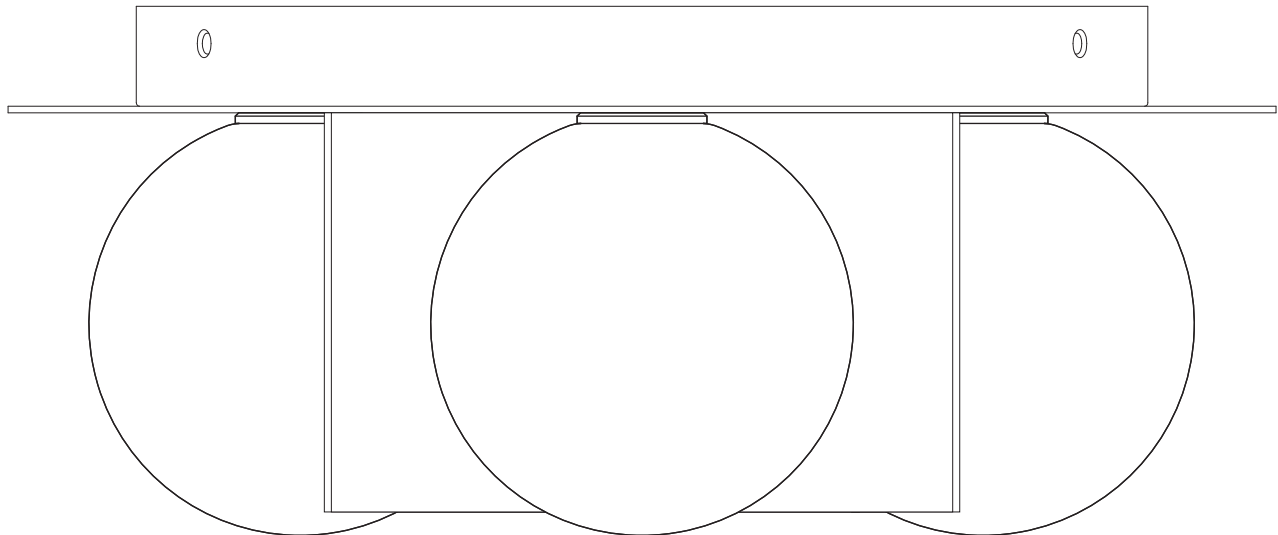
These fixtures are intended to be installed utilizing NEC compliant junction boxes.

This product can be dimmed with most ELV or TRIAC dimmers.

This instruction shows a typical installation.



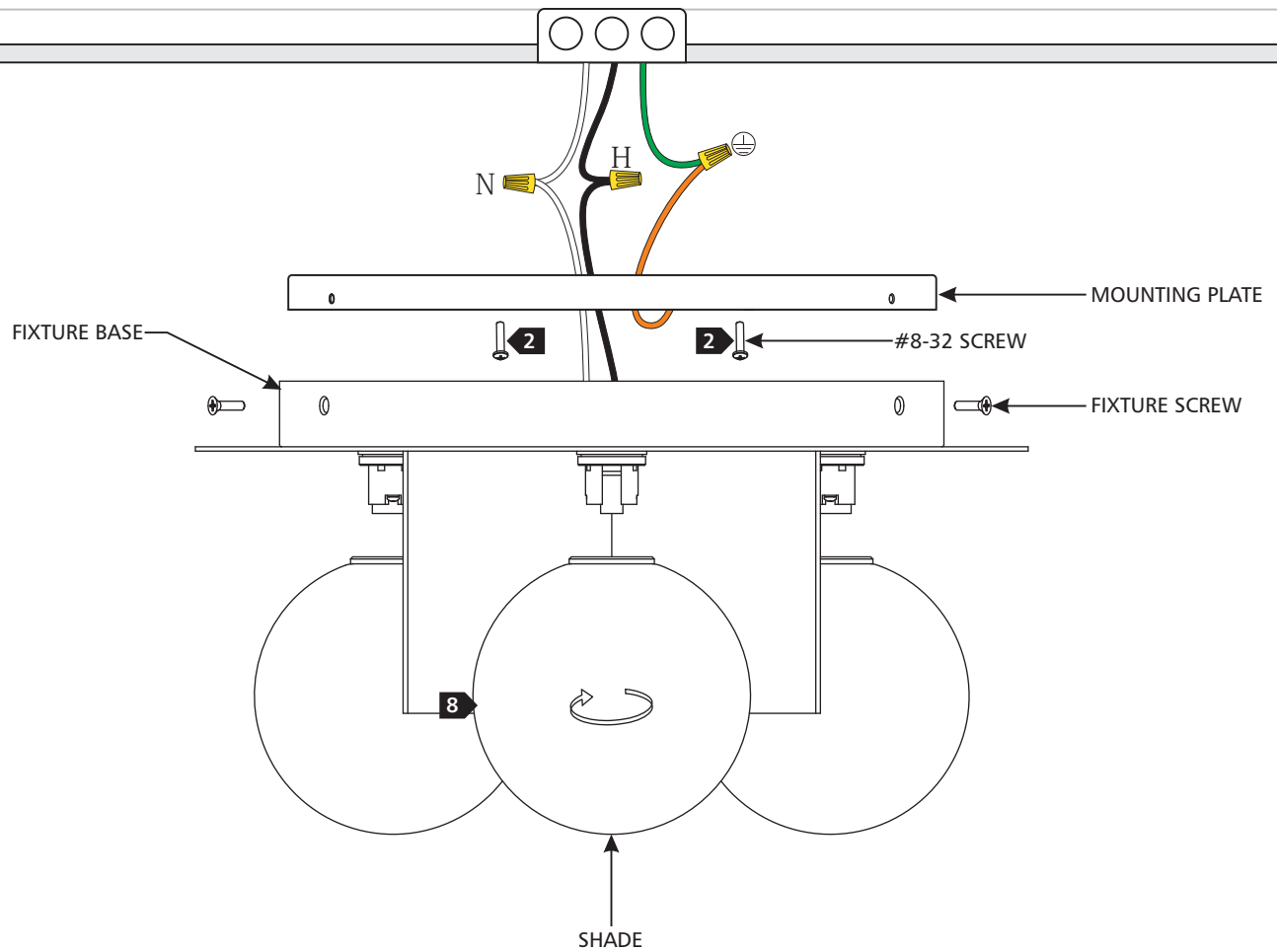
© 2019 Tech Lighting, L.L.C. All rights reserved. The "Tech Lighting" graphic is a registered trademark of Tech Lighting, L.L.C. Tech Lighting reserves the right to change specifications for product improvements without notification.  
 A Generation Brands Company



**SAVE THESE INSTRUCTIONS!**

# Install the Fixture

1A



- 1** Unscrew and remove the fixture screws around the fixture base, then remove the mounting plate.
- 2** Secure the mounting plate to the electrical box with the #8-32 screws.
- 3** Connect the fixture to a suitable ground in accordance with local electrical codes.
- 4** Connect the white fixture wire to the neutral power line with a wire nut.
- 5** Connect the black fixture wire to the hot power line with a wire nut.
- 6** Neatly place all wires and wire nut connections inside the junction box, align the holes on the fixture base with the holes on the mounting plate, and secure them together using the fixture screws.
- 7** Install the lamps by inserting them into the sockets. Refer to the label on the socket for Max Wattage information.
- 8** Screw the shades onto the threads on the sockets. Make sure the shade is installed correctly before releasing. Do not over tighten.