

Offering an inviting and open cylindrical silhouette with decorative fins evenly spaced around the circumference, the Turbo LED wall sconce adds a modern aesthetic to any façade. Mounting options enable the fixture to be mounted in three different height positions relative to the back plate position to meet a variety of installation needs and aesthetic preferences.

Outstanding protection against the elements:

- Marine-grade powder coat finishes
- Stainless Steel mounting hardware
- Impact-resistant, UV stabilized frosted acrylic lensing

Three-position mounting option allows variable height adjustment to back plate

SPECIFICATIONS

DELIVERED LUMENS	598
WATTS	15.7
VOLTAGE	Universal 120-277V, with integral transient 2.5kV surge protection (driver)
DIMMING	0-10, ELV
LIGHT DISTRIBUTION	Symmetric
OPTICS	40°
MOUNTING OPTIONS	3-Position Variable Height
PERFORMANCE OPTIONS	Surge Protector
CCT	3000K or 4000K
CRI	80+
COLOR BINNING	3 Step
BUG RATING	B1-U2-G0
DARK SKY	Compliant
WET LISTED	IP65
GENERAL LISTING	ETL
CALIFORNIA TITLE 24	Can be used to comply with CEC 2016 Title 24 Part 6 for outdoor use. Registration with CEC Appliance Database not required.
START TEMP	-30°C
FIELD SERVICEABLE LED	Yes
CONSTRUCTION	Aluminum
HARDWARE	Stainless Steel
FINISH	Marine Grade Powder Coat
LED LIFETIME	L70; 70,000 Hours
WARRANTY*	5 Years
WEIGHT	8.5 lbs.



TURBO WALL shown in bronze



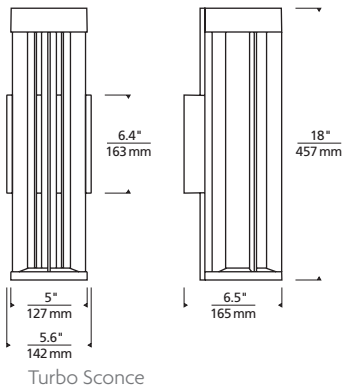
TURBO WALL shown in charcoal

* Visit techlighting.com for specific warranty limitations and details.

ORDERING INFORMATION

7000WTUR	CRI/CCT	LENGTH	LENS	FINISH	VOLTAGE	DISTRIBUTION	OPTIONS
830	80 CRI, 3000K	18 18"	C CLEAR FLAT	B BLACK	UNV 120V-277V	S SYMMETRIC	NONE
840	80 CRI, 4000K			Z BRONZE			SP SURGE PROTECTION
				H CHARCOAL			

TURBO WALL SCNCE



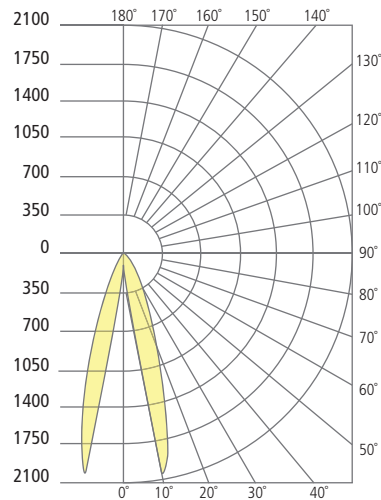
Integrated height adjustment system allows you to customize your fixture position. Low, Mid or High.

PHOTOMETRICS*

*For latest photometrics, please visit www.techlighting.com/OUTDOOR

TURBO WALL

Total Lumen Output: 598
 Total Power: 15.7
 Luminaire Efficacy: 37.8
 Color Temp: 3000K
 CRI: 80+
 BUG Rating: B1-U2-G0



PROJECT INFO

FIXTURE TYPE & QUANTITY

JOB NAME & INFO

NOTES



© 2016 Tech Lighting, L.L.C. All rights reserved. The "Tech Lighting" graphic is a registered trademark of Tech Lighting, L.L.C. Tech Lighting reserves the right to change specifications for product improvements without notification.



GENERATION BRANDS
 7400 Linder Avenue, Skokie, Illinois 60077
 T 847.410.4400 F 847.410.4500