

HINKLEY

# 52" VAIL™

INDOOR / OUTDOOR LED FAN



WET



DC MOTOR



LED



Intertek

---

CEILING FAN INSTRUCTION MANUAL

## WE WANT YOU TO LOVE YOUR NEW FAN

SO WE'RE HERE IF YOU HAVE A QUESTION, NEED SOME HELP OR WANT TO CHAT ABOUT OUR PRODUCTS. SEND SUGGESTIONS OUR WAY TOO—WE'RE ALWAYS LOOKING TO MAKE YOUR EXPERIENCE WITH HINKLEY A POSITIVE ONE.

> [SERVICE@HINKLEY.COM](mailto:SERVICE@HINKLEY.COM)

> [800.HINKLEY](tel:800.HINKLEY)

> [LET'S SEE THAT HINKLEY STYLE @HINKLEY](#)  
[#HINKLEYSSTYLE](#)

---

This manual contains complete instructions for the installation and operation of this fan. It has been designed to make the installation process as easy as possible. If you are unfamiliar or uncomfortable with wiring, please contact a qualified electrician. If you need additional assistance or have any questions, please reach out to us.

---

For warranty information, visit [hinkley.com](http://hinkley.com).

## TABLE OF CONTENTS

02	GENERAL INSTALLATION & OPERATING INSTRUCTIONS	11	INSTALLING THE LIGHT KIT AND LIGHT COVER
03	IMPORTANT SAFETY PRECAUTIONS	12	INSTALLING THE WALL CONTROL
03	TOOLS & MATERIALS REQUIRED	13	OPERATION
04	UNPACKING YOUR FAN	15	CARE AND CLEANING
05	PREPARATION	15	TROUBLESHOOTING
05	INSTALLING THE HANGING BRACKET	16	ENERGY GUIDE
06	HANGING THE FAN	16	SPECIFICATIONS
08	ELECTRICAL CONNECTIONS	16	SMART BY BOND
09	FINISHING THE INSTALLATION		
10	BLADE ATTACHMENT		

### WARNING:

Read and follow these instructions carefully and be mindful of all warnings shown throughout.

## GENERAL INSTALLATION & OPERATION INSTRUCTIONS

- 1 To ensure the success of the installation, be sure to read the instructions and review the diagrams thoroughly before beginning.
- 2 To avoid possible electric shock, be sure electricity is turned off at the main power box before wiring. All electrical connections must be made in accordance with local codes, ordinances and/or the National Electric Code. If you are unfamiliar with the methods of installing electrical wiring and products, secure the services of a qualified and licensed electrician as well as someone who can check the strength of the supportive ceiling members and make the proper installation(s) and connections.
- 3 **WARNING:** To reduce the risk of fire, electric shock, or other personal injury, mount fan only on an outlet box or supporting system marked acceptable for fan support of 35 lbs (15.9 kg) or less and use mounting screws provided with the outlet box. Most outlet boxes commonly used for the support of lighting fixtures are not acceptable for fan support and may need to be replaced. Consult a qualified electrician if in doubt.
- 4 Make sure that your installation site will not allow rotating fan blades to come in contact with any object. Blades should be at least 7 feet from floor.
- 5 Blades should be attached after motor housing is hung and in place. Fan motor housing should be kept in the carton until ready to be installed to protect its finish. If you are installing more than one ceiling fan, make sure that you do not mix fan blade sets, as each blade is part of a weighted set.
- 6 After making electrical connections, spliced conductors should be turned upward and pushed carefully up into outlet box. The wires should be spread apart with the common conductor and the grounding conductor on one side of the outlet box, and the "HOT" wires on the other side.
- 7 Electrical diagrams are for reference only. Light kits that are not packed with the fan must be UL listed and should be installed per the light kit's installation instructions.
- 8 After fan is completely installed, check to make sure that all connections are secure to prevent fan from falling and/or causing damage or injury.
- 9 The fan can be made to work immediately after installation - the bearings are adequately charged with grease so that, under normal conditions, further lubrication should not be necessary for the life of the fan.
- 10 To operate the reverse function on this fan, press the reverse button while the fan is running.

## IMPORTANT SAFETY PRECAUTIONS

### WARNINGS:

- Disconnect power by removing fuse or turning off circuit breaker before installing the fan and/or optional lighting.
- Support directly from building structure.
- To reduce the risk of fire, electric shock or personal injury, mount to outlet box marked "acceptable for fan support" and use mounting screws provided with the outlet box. Most outlet boxes commonly used for the support of lighting fixtures are not acceptable for fan support and may need to be replaced. Consult a qualified electrician if in doubt.
- Do not use an incandescent light dimmer. Do not use this fan with any transformer type fan speed control device.
- To reduce the risk of personal injury, do not bend the blade arms when installing them, balancing the blades or cleaning the fan. Do not insert any object(s) between rotating fan blades.

### NOTE:

The important precautions, safeguards and instructions appearing in this manual are not meant to cover all possible conditions and situations that may occur. It must be understood that common sense, caution and carefulness are factors which cannot be built into this product. These factors must be supplied by the person(s) installing, caring for and operating the unit.

## TOOLS & MATERIALS REQUIRED

- PHILLIPS SCREWDRIVER
- FLAT SCREWDRIVER
- WRENCH OR PLIERS
- WIRE CUTTER
- STEPLADDER
- WIRING SUPPLIES AS REQUIRED BY ELECTRICAL CODE



## UNPACKING YOUR FAN

### UNPACK YOUR FAN AND CHECK THE CONTENTS.

- Do not discard the carton. If warranty replacement or repair is ever necessary, the fan should be returned in original packing. Remove all parts and hardware. Do not lay motor housing on its side, or the decorative housing may shift, be bent or damaged.
- Examine all parts. You should have the following:

VAIL PACKAGE CONTENT		
1	Blade Set of 5	BL902152Fxx
2	Hanging Bracket	CA902466Fxx
3	Ceiling Canopy and Trim Ring	
4	Ball Moisture Cover	In Hardware Bag
5	Downrod Asm.	DR94014Fxx
6	Yoke cover	YC900752Fxx
7	Fan Housing with Motor *Remove rubber shipping supports around motor, if applicable. Save the screws.	X
8	Blade Arm Set of 5	BLI902152Fxx
9	16W LED Assembly	E902466LED
10	Light cover/ Glass shade	AP902466Fxx GL902466ET
11	Metal Plate (for no light use)	X
12	Receiver Incl. 5 Wire Nuts	CN902152
13	Wall Control w/12v Battery Wall Plate, Face Plate, 2 Sets of Mounting Screws, and Machine Screws	980013FAS
14	<b>Hardware Bag</b>	
	Bracket Mounting Hardware (wood screws, screws, lock washers, star washers, flat washers, wire nuts), Blade to Blade Arm Screws and Rubber Washers, Balance Kit, Safety cable hardware (wood screw, flat washer)	HW902152Fxx
XX=FAN FINISH		

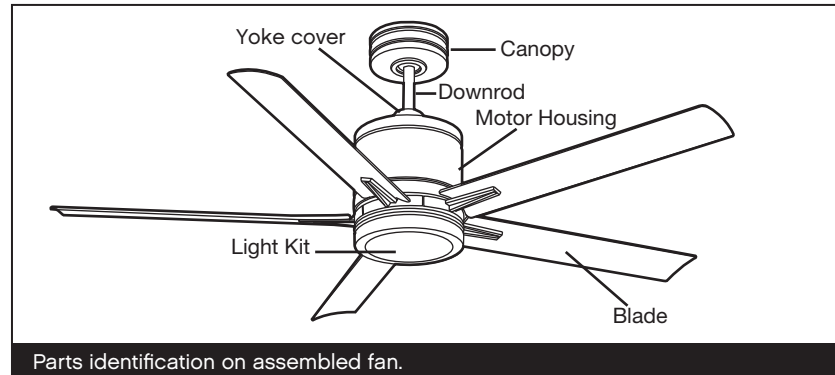
**NOTE:** Design of parts shown above may look slightly different for your specific model of fan.

## PREPARATION

### PREPARATION:

Verify you have all parts before beginning the installation. Check foam insert closely for missing parts. Remove motor from packing. To avoid damage to finish, assemble motor on soft padded surface or use the original foam inset in motor box.

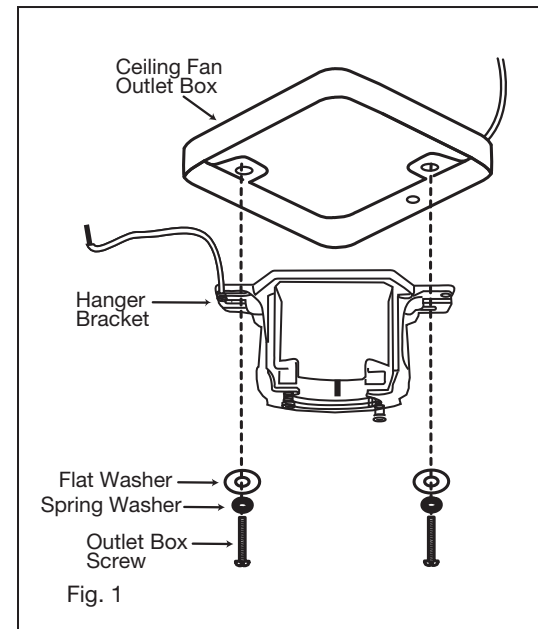
**DO NOT LAY MOTOR HOUSING ON ITS SIDE AS THIS COULD RESULT IN SHIFTING OF MOTOR IN DECORATIVE ENCLOSURE.**



## INSTALLING THE HANGING BRACKET

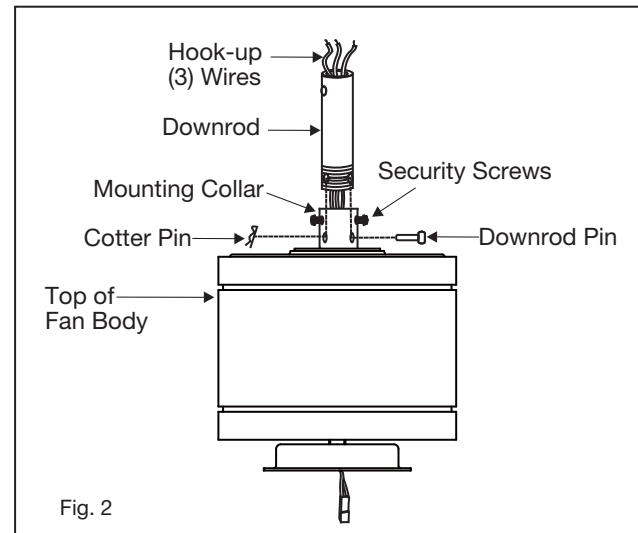
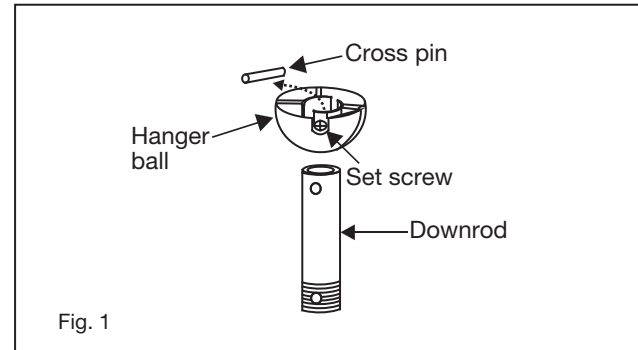
**CAUTION:** To avoid possible electrical shock, be sure electricity is turned off at the main power box before wiring. All wiring must be in accordance with National and Local Electrical Codes and the ceiling fan must be grounded as a precaution against possible electric shock.

- 1 Locate ceiling joist where fan is to be mounted, being sure location agrees with the requirements in the minimum clearance section of this guide. Wood joists must be sound and of adequate size to support 35 pounds (See page 2, items 3 and 4).
- 2 If not already present, mount a UL listed outlet box marked "suitable for fan support" following the instructions provided with the outlet box. The outlet box must be able to support a minimum of 35 pounds.
- 3 Attach hanging bracket to outlet box using screws provided with the outlet box.



## HANGING THE FAN

- 1 Remove ball from downrod by loosening set screw in the side of the ball. Slide ball down and remove ball pin; remove ball. (Fig. 1)
- 2 Carefully support fan body (motor) in its styrofoam packing with the mounting collar (where the wires come out) facing upward.
- 3 Loosen the two security set screws and remove the downrod pin and retaining clip from the coupler on top of the motor assembly. (Fig. 2)
- 4 Carefully feed the electrical lead wires from the fan through the downrod. Thread downrod into coupler until holes align. Insert downrod pin through holes in mounting collar and downrod; clip cotter pin through small hole in end of downrod pin to hold downrod in place.
- 5 Tighten security set screws against downrod using a large flat blade screwdriver to ensure a tight fit against downrod. Tighten nuts against mounting collar.





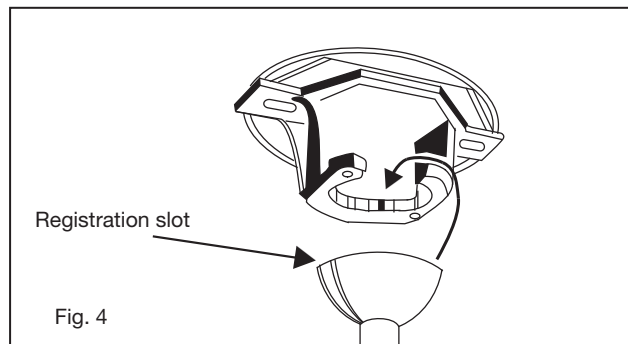
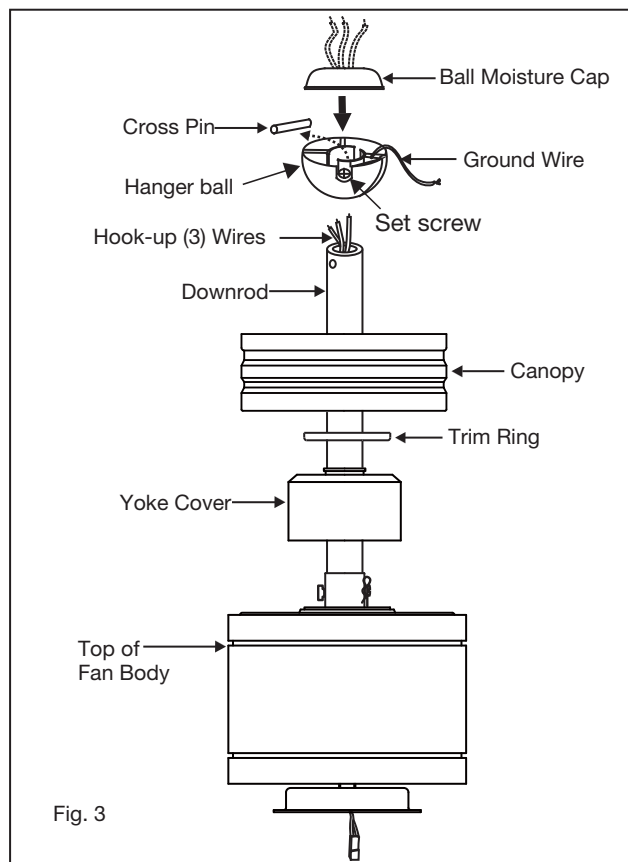
**REMEMBER** to turn off the power before you begin.

To properly install your ceiling fan, follow the steps below.

- 6 Slip the yoke cover, trim ring and canopy onto the downrod. (Fig. 3)
- 7 Slide the hanger ball onto the downrod, insert the cross pin through the downrod and tighten. Tighten the set screw.
- 8 Feed wires through holes in rubber ball moisture cap and slide cap down over top of ball. (Fig. 3)
- 9 Lift ball/downrod/fan into hanger bracket opening.  
**NOTE:** The tab opposite hanger bracket opening should fit in slot on ball. (Fig. 4)

**NOTE:**

6 feet of lead wire is supplied on the fan for use with longer downrods.



## ELECTRICAL CONNECTIONS

**REMEMBER** -Turn off the power! **NOTE** - Control must be installed within 30 feet of fan.

Use the wire nuts supplied with your fan when making connections. Secure the connectors with electrical tape and make sure there are no loose connections or wire strands.

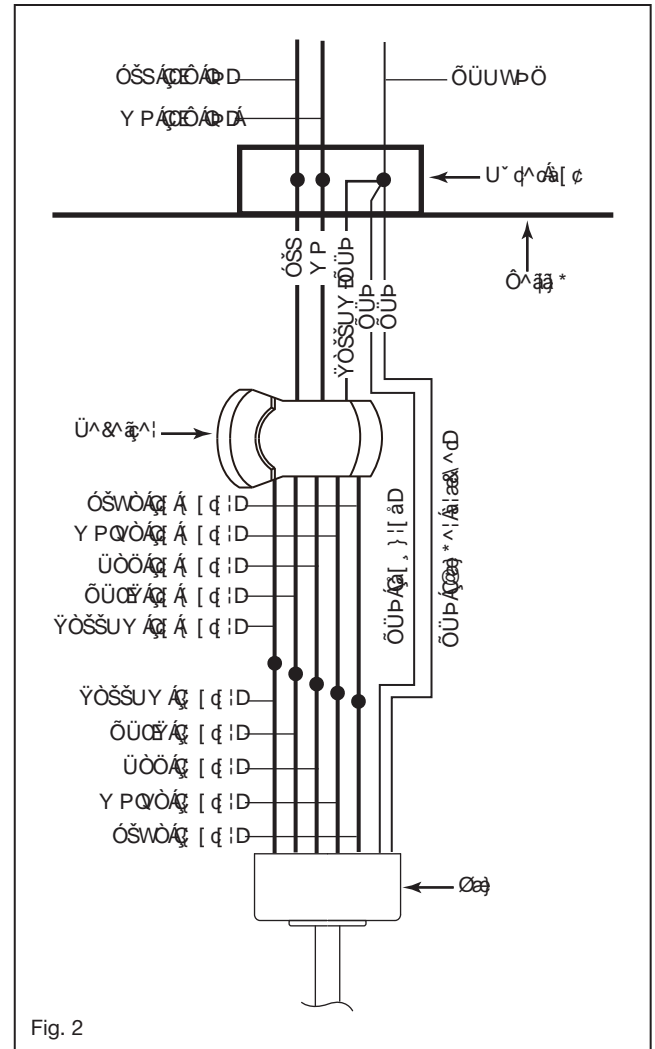
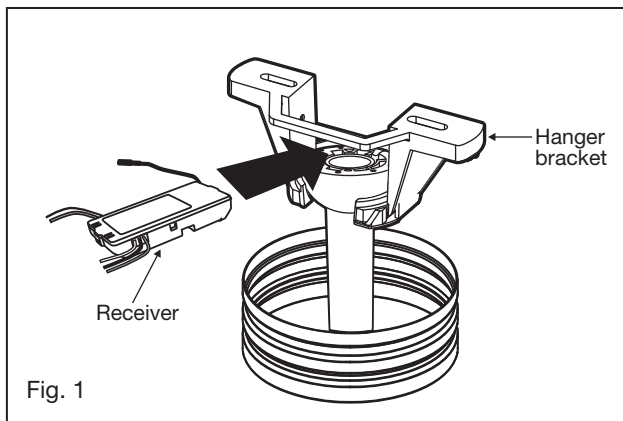
1. Insert the receiver into the ceiling mounting bracket with the flat side of the receiver facing the ceiling. (Fig. 1) For best performance, make sure the Black Antenna, on the end of the receiver, remains extended and not tangled with any of the electrical wires.

2. Make wire connections from the fan to the receiver unit. For this step use the bundle of 5 wires on the receiver. (Fig. 2)

- Connect the YELLOW fan wire to the YELLOW receiver wire.
- Connect the GRAY fan wire to the GRAY receiver wire.
- Connect the RED fan neutral wire to the RED receiver neutral wire.
- Connect the WHITE fan neutral wire to the WHITE receiver neutral wire.
- Connect the BLUE fan neutral wire to the BLUE receiver neutral wire.

3. Connect the wiring from the ceiling to the receiver unit. (Use the 2 wire bundle on the receiver.) Secure with supplied wire nuts.

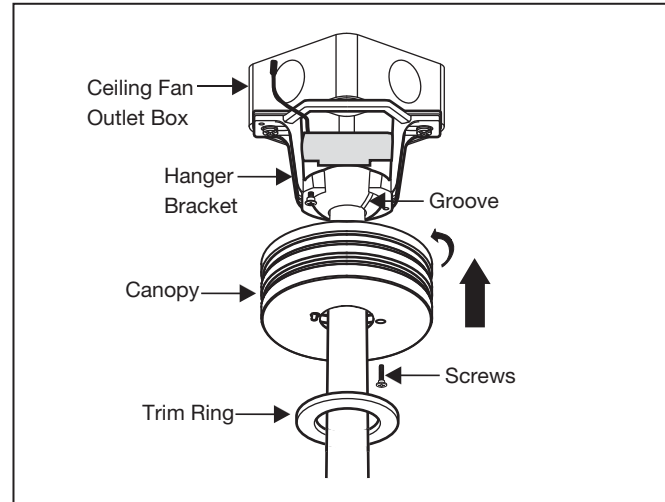
- Connect the BLACK building supply wire to the BLACK receiver wire.
- Connect the WHITE receiver neutral wire to the WHITE building neutral wire.
- Connect the COPPER building ground wire to the YELLOW/GREEN fan ground wire. Also connect the two GREEN wires (from fan) to building ground wire.



## FINISHING THE INSTALLATION

- 1 Tuck connections neatly into ceiling outlet box.
- 2 Slide the canopy up to mounting bracket and place the key hole on the trim ring the screw on the mounting bracket, turn canopy until it locks in place at the narrow section of the key holes.
- 3 Align the circular hole on canopy with the remaining hole on the mounting bracket, secure by tightening the two set screws.

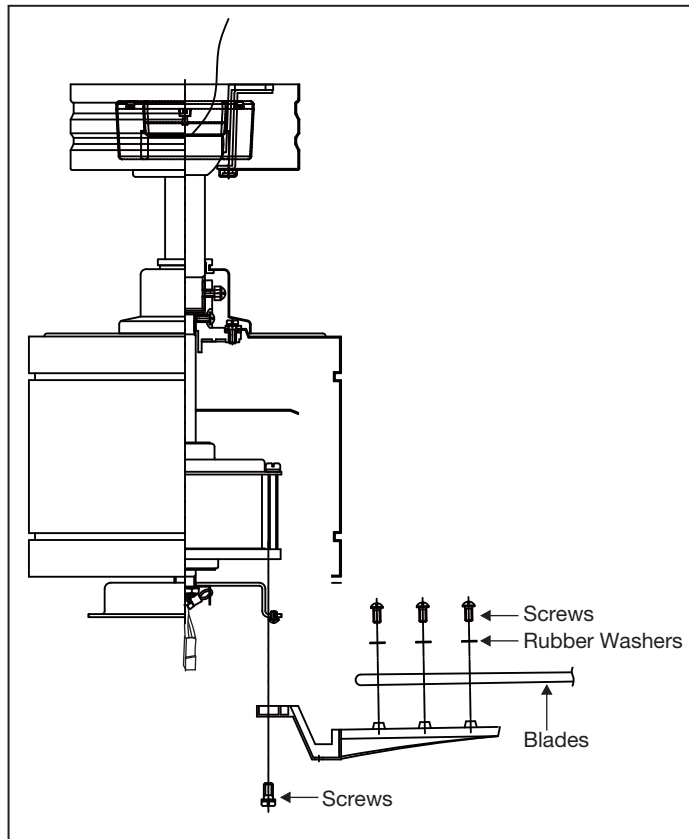
**NOTE:** Adjust the canopy screws as necessary until the canopy and trim ring are snug.



### WARNING:

Make sure the hook on the hanging bracket properly sits in the groove in the hanger ball before attaching the canopy to the bracket by turning the housing until it drops into place.

## INSTALLING THE BLADES



- 1 Place rubber washer on screw. Insert this assembly through the blade and start the screw into the blade arm. Repeat this procedure without tightening the screw until all 3 screws have been started into the blade arm.

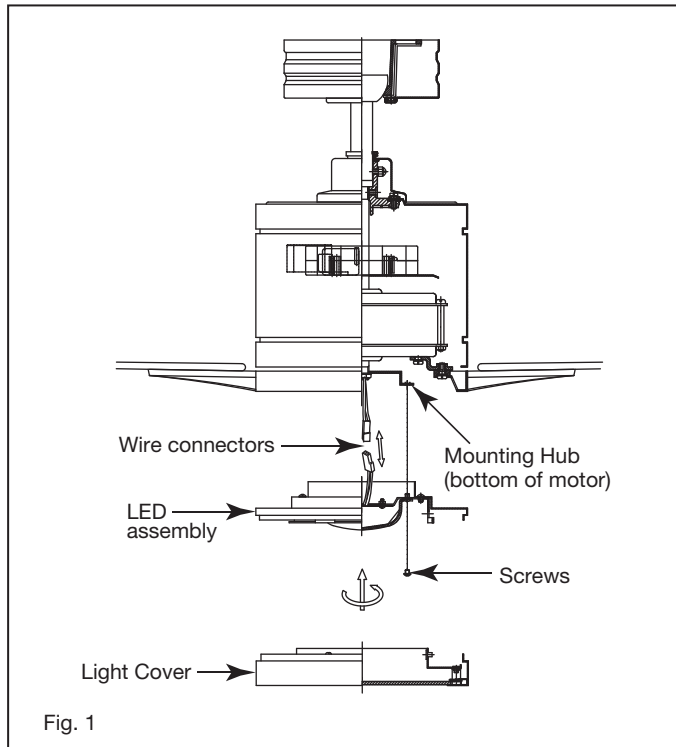
**NOTE:** Make sure that concave side of blade is facing down.

- 2 Tighten each screw starting with center screw.
- 3 Fasten blade assembly to motor with provided screws and lockwashers. Repeat procedure for remaining blades. Make sure screws are **TIGHT!** Loose motor screws can contribute to unnecessary hum during operation.

### NOTE:

Cordless power screwdrivers are **NOT** recommended, as they usually strip the heads of the screws and usually will not fully compress the lock washers on the motor screws. Use a large flat blade screwdriver for final tightening to fully compress the washers. This will help ensure proper alignment of the blades and noise-free, wobble-free running.

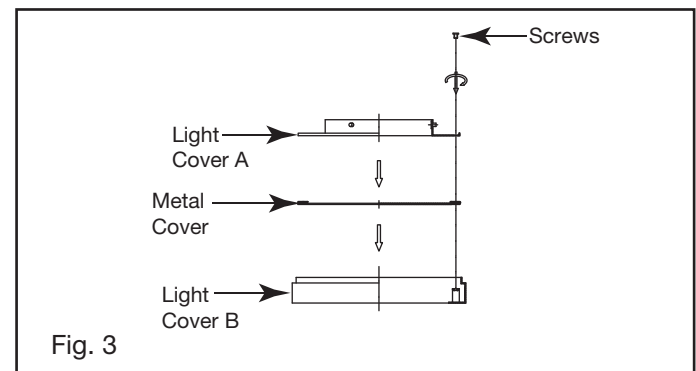
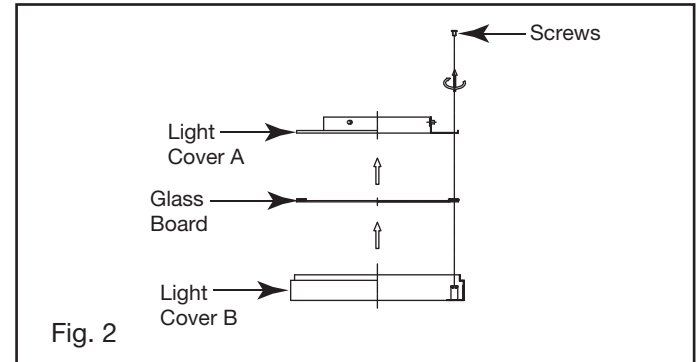
## INSTALLING THE LED ASSEMBLY AND LIGHT COVER



- 1 Remove one of the three screws on the mounting hub located on the fan motor. (Fig. 1)
- 2 While holding the LED assembly under your fan, make the polarized plug connections: (Fig. 1)
  - Red to white
  - Black to black

**NOTE:** If you do not plan to install the LED light kit with your fan at this time, don't make the wire connections.

Remove the screws and take out the glass board from the light cover (Fig. 2), then attach the metal cover to the light cover B and light cover A with the screws provided. (Fig. 3)



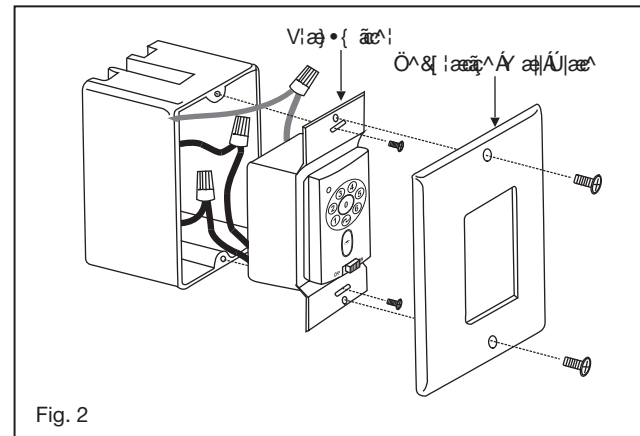
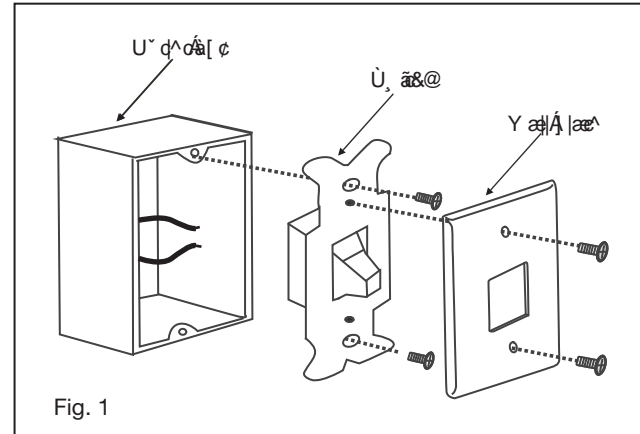
- 3 Tuck connections neatly into LED assembly, place the LED assembly to the mounting hub with 3 screws provided. (Fig. 1)
- 4 Raise the light cover against the LED assembly and turn clockwise until snug, DO NOT OVERTIGHTEN. (Fig. 1)
- 5 Restore power and your light kit is ready for operation.

## INSTALLING THE WALL CONTROL

**REMEMBER** to turn off the power before you begin.

**NOTE** - Control must be installed within 30 feet of fan.





- 1 Remove the existing wall plate and the old switch from the wall outlet box. (Fig. 1)
- 2 Connect the wiring from the wall switch receptacle to wall transmitter unit
  - Connect one BLACK wire from the wall to one BLACK wire (labeled "TO FAN") from the wall transmitter.
  - Connect the other BLACK wire (labeled "TO POWER SUPPLY") from the transmitter to the remaining BLACK wire from the wall (A/C supply source).
- 3 Connect the green ground wire from the switch to the ground wire on the wall outlet box.
- 4 Install the wall transmitter on the existing wall outlet box using the screws provided. Attached the wall plate with the mounting screws to finish the installation. (Fig. 2)



## OPERATION

Your DC brushless motor is equipped with an automatically learned type remote control. There is no frequency switches on the receiver or transmitter. The fan can start to use once the pairing process is done.

Remove the panel from the transmitter and then install one 23A/12V battery (included). To prevent damage to transmitter, remove the battery if not use for long periods of time (Fig. 16).

- 1  I, II, III, IV, V and VI button:  
These six buttons are used to set the fan speed as follows:  
I = minimum speed  
II = low speed  
III = medium low speed  
IV = medium speed  
V = medium high speed  
VI = high speed
- 2  button:  
This button turns the fan off.
- 3  Reverse button:  
This button is to control fan direction. This button must be pressed while fan is running (suggested speed IV)
- 4  Light button:  
This button is to control optional light. Switch the "D" and "ON" dip switch on the front of transmitter to decide the light in "ON/OFF" or "Dimmable" condition.

- 5 "SET" code setting button:  
Follow the below steps to use the set button. (Fig. 1)
- 6 ON - OFF Slide button: Power switch. (Fig. 16)
- 7 Signal light (Fig. 2)

### Pairing Process

With the fan's power off, restore power to the fan. Press and hold "SET" button for about 5 seconds and release. If optional light kit is installed, the light kit will flash twice and the signal light on the wall control will come on when the button is pressed. The fan has completed the pairing process with the wall control and is ready for use.

NOTE: A single fan can be controlled with as many as 3 wall controls in one room. Every control will need to repeat the pairing process based on instructions above and all controls must be within 30 feet of the fan.

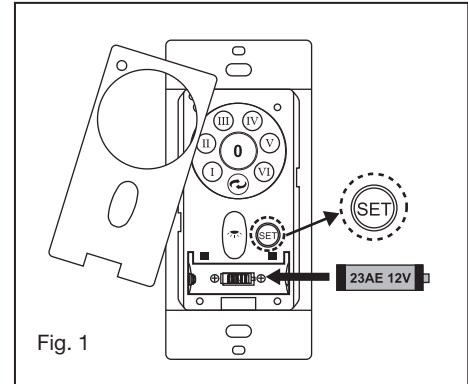


Fig. 1

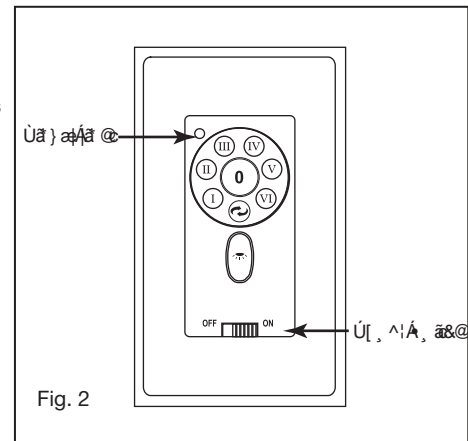
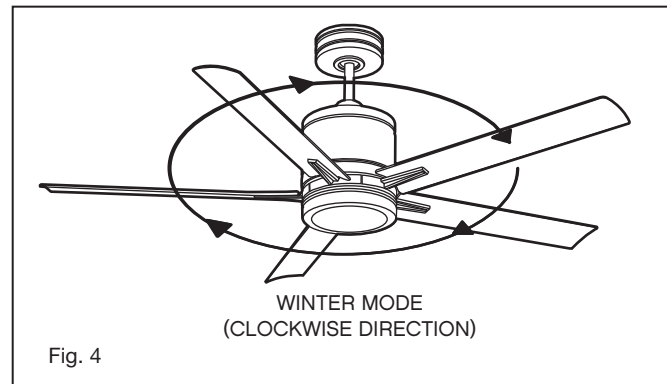
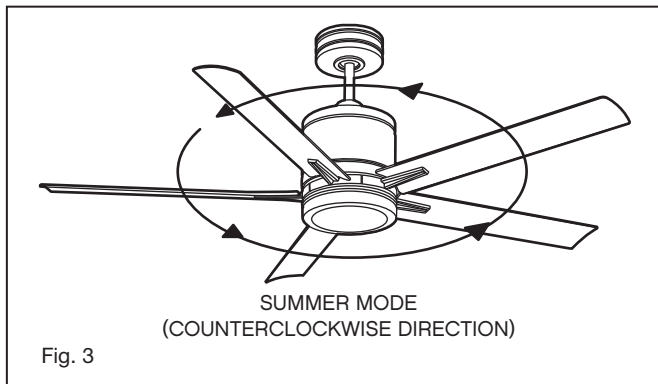


Fig. 2

## Summer Mode and Winter Mode Operation

- 8 Summer Mode (forward):  
A DOWNWARD airflow creates a cooling effect as shown in Figure 3. This allows you to set your air conditioner on a warmer setting without affecting your comfort.
- 9 Winter Mode (Reverse):  
An UPWARD airflow moves warmer air off the ceiling area as shown in Figure 4. This allows you to set your heating unit on a cooler setting without affecting your comfort.





## CARE AND CLEANING

Periodically it may be necessary to re-tighten blade to blade arm screws or blade arm to motor screws to prevent clicking or humming sound during operation. This is especially true in climates with broad temperature and humidity ranges.

When dusting the blades, you must support the blade to prevent bending - no pressure should be applied to the blades. If you experience any flaws in the operation of your fan, please check the following points.

## TROUBLESHOOTING

### CAUTION:

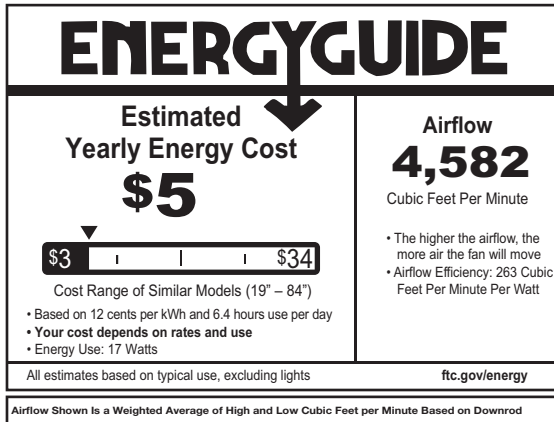
Switch off power supply before carrying out any of these checks.

PROBLEM	SOLUTION
FAN WILL NOT START	<ol style="list-style-type: none"><li>1. Check circuit fuses or breakers.</li><li>2. Check wall control LED indicator light. If LED is not illuminated when pushing a button, it is not transmitting a signal. Please check power to wall control/circuit breaker and all electrical connections.</li><li>3. Assure there are no more than 2 fans operating on a circuit through the wall control. Assure that there are no more than 12 fans operating on a circuit through an on/off wall switch or a breaker (not through a wall control).</li><li>4. Assure that the fan is within range of the WiFi (150 ft.) or wall control (30 ft.).</li></ol>
FAN SOUNDS NOISY	<ol style="list-style-type: none"><li>1. Allow a 24-hour "breaking-in" period. Most noise associated with a new fan will disappear during this time.</li><li>2. Make sure all motor housing screws are securely fastened.</li><li>3. Make sure the screws that attach the fan blade to the fan are tight.</li><li>4. Make sure your ceiling box is secure and rubber isolator pads are used between the mounting bracket and outlet box.</li></ol>
FAN WOBBLER	<ol style="list-style-type: none"><li>1. Check that all blade and blade arm screws are secure.</li><li>2. If the blade wobble is still noticeable, interchanging two adjacent (side by side) blades can redistribute the weight and possibly result in smoother operation.</li><li>3. Check to assure all dowrods to motor hardware and/or hanger ball are tight.</li><li>4. Make sure ceiling box is secure.</li></ol>

## ENERGY GUIDE

## SPECIFICATIONS

### AVERAGE PERFORMANCE AND ENERGY INFORMATION



PERFORMANCE SPECIFICATIONS	STANDARD	
	HIGH SPEED	LOW SPEED
Airflow (CFM)	6973	1872
Energy Use (Watts)	28.3	2.2
Airflow Efficiency (CFM/W)	247	851
Energy Costs (Yearly)	\$8	\$1
Amps	0.40	0.05
RPMs	160	45

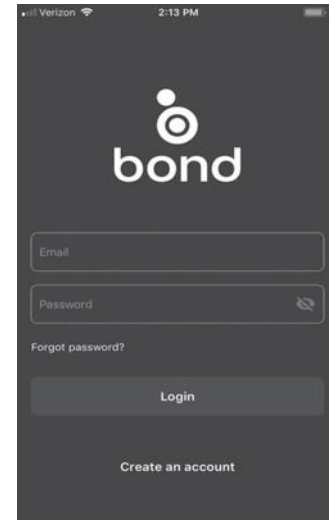
## SMART BY BOND

### HINKLEY SMART FAN OPTIONS:

In addition to the included wall control, you can control your Hinkley fan through the Bond app.

- To use the app, download it for free from the App Store or Google Play.
- Open the app to create your account. You can also login with your Facebook or Google account.
- Next, set up a WiFi connection. You will need the SSID and WiFi password for the network you want to connect to.
- You will receive a prompt to choose the finish of your fan and name your fan device.
- The app will walk you through the main screen and show you how to change fan speeds, dim the light, set timers or utilize breeze mode.

**NOTE:** Maximum of 2 fans can operate on a circuit through the wall control. Maximum of 12 fans can operate on a circuit through an on/off switch or breaker when utilizing the app for the fan control (without the wall control in the circuit).



<https://bondhome.io/app>

HINKLEY IS PROUD TO PROVIDE YOU WITH CEILING FAN PRODUCTS THAT ENHANCE YOUR SPACE WITH COMFORT, PURPOSE AND STYLE. AS A FAMILY COMPANY, WE ARE COMMITTED TO DESIGN, PERFORMANCE AND QUALITY, AND WHAT'S IMPORTANT TO YOU IS PARAMOUNT TO US.

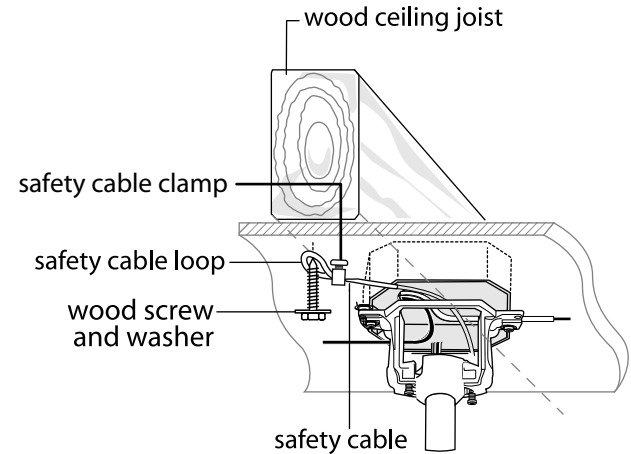
**FOR A COMPLETE ASSORTMENT OF OUR PRODUCTS AND SOURCE BOOKS, VISIT [HINKLEY.COM](http://HINKLEY.COM).**

# HINKLEY

---

## INSTALLATION OF SAFETY CABLE SUPPORT

Attach the wood screw and the flat washer to the ceiling joist as shown (do not fully tighten). Slide the cable clamp onto the safety cable from the fan. Loop the safety cable around the wood screw that was just attached to ceiling joist. Feed the end of the cable into the clamp and pull as much cable through as possible. Firmly tighten screw in the clamp. Cut off excess cable.



# HINKLEY

## **GLOBAL HEADQUARTERS**

33000 Pin Oak Parkway | Avon Lake, Ohio 44012

T (440) 653 5500 | F (440) 653 5555 | [hinkley.com](http://hinkley.com)



# EI 9F9ACG'EI 9'5A9G'5'HI ' BI 9JC'J9BH=Q 8CF

œÙ ÁÙ WÒÀÙVœF UÙÁœÙ W ÁÙœVœP ÒÁMœ œÁÙÙ ÒÕWœVœÁ  
P ÒÕÙÙVœœF WœÁÙ ÁÙ WœÙÙ ÒÁœSœÙ ÁÙ ÒÙ ÒÁ WòÙVÙ UÙÁ  
ÙÙU ÒWòVUÙœÙP X ÒÁÙWòÙÙ ÒP ÒœÙÁ WòÙVÙU ÁœœF œUÁ  
VœœF ÒQ P ÁÙœT UÙ ÒÁÙVœœF UÙ ÁÙWòÙœœF ÒU ÁœœÙÙ ÁÙWòÁ  
ÙWÁÙÙÙÙœœP ÒœœÙU P ÁœœS ÒÿÁÙ ÒœÁÙUÙVœœœ

> G9FJ=794 <=B? @M7CA

> , \$\$"<=B? @M

> J5ACG'5'9G9'9GH=Q

<=B? @M4 <=B? @M' <=B? @MGHM@

Ò•œÁ œ ã Áœ } œ } ^ Áœ • d` 88ã } ^• Áœ { } | ^ œ Á œ œ œ Á  
ã • œ œ œ œ } Á Á } ^ | œ œ } Á ^ Á • œ Á ^ } œ œ œ | ! œ P œ Á œ Á  
à ã ^ f i œ œ Á œ œ œ œ Á ^ Á Á | Á ! & • [ Á ^ Á œ • œ œ œ œ } Á ^ œ Á  
| [ Á | • Á 8ã Á [ • œ | ^ Á Ù } Á | Á • œ œ œ œ œ œ Á Á | Á ^ Á  
• œ } œ Á 5 { [ á | Áœ } Á | Á œ œ | ^ œ œ [ Áœ { ~ } ð ~ ^ • ^ Áœ } Á } Á  
^ | ^ 8 d ã œ œ œ œ œ œ œ œ [ Á Ù } Á ^ 8 • ã œ œ ã œ } 8 œ œ œ œ } œ Á Á  
œ } ^ Áœ \* ~ } œ Á ! ^ \* ~ } œ Áœ { ~ } ð ~ ^ • ^ Áœ } Á | • | d [ • È

DUFUcVHybYf ]bZ:fa U]Qb'gcVfY~U[ UFUbhLEj ]g]hY\ ]b\_`YmWc:a "

# HUV`UXYW`bHfjXc

02 -BGHF1 77-CB9G; 9B9F5 @G'89'-BGH5 7-é B'  
MCD9F57-é B  
03 DF975I 7-éCB9G=A DCFH5 BH9G'89'G9; I F-858'  
03 <9FF5A-9BH5G'MA5H9F-5 @GF9EI 9F-8CG  
04 89G9A65 7-é>9'HI `J9BH-78CF  
05 DF9D5F57-é B  
05 -BGH5 7B8C'9 @GCD9FH9'7C @ 5BH9 .....  
06 7C @ 5B8C'9 @J9BH-78CF  
08 7CB9L-CB9G'9 @7HF=75G  
09 575658C'89'7-é -BGH5 7-é B  
10 5779GCF-C'89'<C>5

11 -BGH5 7B8C'9 @?#H'89' @ N'M 7GCA6F5'89'J-8F-C  
12 -BGH5 7B8C'9 @7CBHFC @89'D5F98  
13 CD9F5B8C  
15 7I -858C'M @AD-9N5  
15 GC @ 7-é B'89'DFC6 @A5G  
16 ; I 7'89'9B9F; 7  
16 9GD97 = =757-CB9G  
16 SMART BY BOND

## 58J9FH9B7-5.

Š^ÁÁđá•æÁ•d`88q }^& áää[•æ ^) 7ÁÁ^)\*ää) &'^) áää[ áæ Áæ Áääç^!7) 8æ Á~^Á^Á  
{ ^•dæ[áá] Áæ\*[Á^





## DF975I 7- CB9G`A DCFH5 BH9G`8 9`G9; | F-858

### 58J9FH9B7-5G:

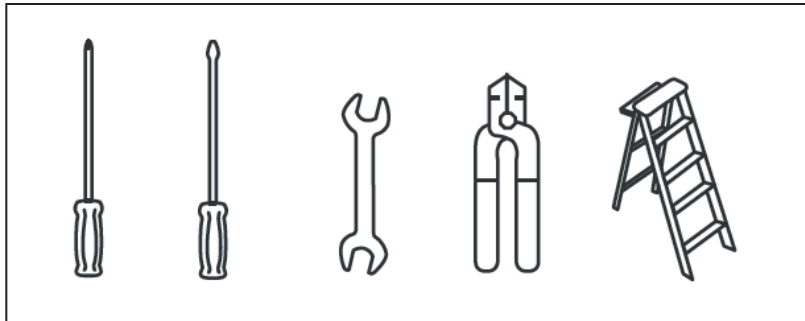
- Ö•& } ^&c ÁæÁ) !\*` çæ~ äæç á[ Á|Á` • ä|Á Áæç æ ç á[ Á|Á ç|` ] ç| Á^Á &æ æ| Áæ ç Á^Á • çæç Á|Á^Á) çæç| Á Á|Á çæç ( ä ææ) Á| &æ) æË
- Ç| [ ^| ÁæÁ &ç Á^Á • ä^ÁæÁ • d` &c |æç|Á ááææç È
- ÚææÁ^á` äáÁ|Áæ •\* [ Á^Á &^Á) áá ÈÁ • &ç\* æÁ. &c äæç Á^Á • ä } ^Á^ | • [ } æ^ È| [ ] ç^Á) Áæçæç Á^Á çæçæç æææææ| [ Áæç) çæç|Á ææ
- [ ] [ | ç Á^Á|Á^Á) çæç| Á Á Á^Á | Á^Á | } ä| Á^Á Á [ ] çæç Á | ç æ ç | Áæ | Áæçæç Á^Á çæçæçæç æ [ | çæç Áæ çæç Á^Á çæçæç { g } ( ^) ç
- çæ çæç Á ææç|Á [ ] [ | ç Á^Á &æç • [ | ä • Á^Á | } ä ææ) Á [ Á ] Áæç) çæç|Á ææç|Á [ ] [ | ç Á^Á|Á^Á) çæç| Á Á^Á ^á^Á) Á^Á &æç Á^Á | ^Á [ ] æ ææç È| [ ] • | ç Áæç) Á^Á &c äæ çæçæçæç [ Á áæç) Á^Á áæ È
- Þ[ Á çæç Á) Áæç) ` æç| Á^Á Á: Áæ ç á^Á &ç) ç È| Á çæç Á^Á • ç Á^Á) çæç| Á| Á ä \*g) Áæç| [ • æç| Á^Á &ç| d [ | Á^Á|Á^Á | ææç Á^Á|Á^Á) çæç| Á^Á|Áæç [ dæç • ç | } æç| È| reduce the risk of personal injury, do not bend the blade arms when installing them, balancing the blades or cleaning the fan.
- Þ[ Á^Á • ç Á^Á ä \*g) Á áæ ç Á ç DÁ) d^Áæ Áæ ] æ Á áæç | æç Á^Á|Á^Á) çæç| Á È

### BC H5 .

Sæ Á|Áæç &æ } ^• È| æçæç æææç Á^Á • d` &æç } ^• Á | [ | çæç ç Á^Á ^Áæç æ^Á) Á) Á^Á ç æç æç Á| Á^Á • ç ææç Áæç æ| ááÁ| áæç Áæç Áæç | ááæç } ^• Á Á æç æç } ^• Á [ • ä| Á^Á ^Á^Á ^áæç Á &ç | á È| á^Á) ç) á| • ^Á^Á ^Á|Á^Á) çæç| Á| { g) È| æç| Áæç &æç) Á Á|Áæç çæç| Á [ ] Á æçç| Á^Á ^Á [ Á^Á ^á^Á) Áæç | [ | æç Á^Á • ç Á | } ä` &ç È| ç • Áæçç| Á^Á á^Á) Á^Á|Á| [ ] | &æç) æç| Á [ Áæçç DÁ | • [ ] æçç DÁ ^Áæç) çæçç È| &ç æçç Á Á| Á| æç Áæç) ææç È

## <9FF5A 9BH5G`M`A5H9F-5 @9G`F9EI 9F-8CG

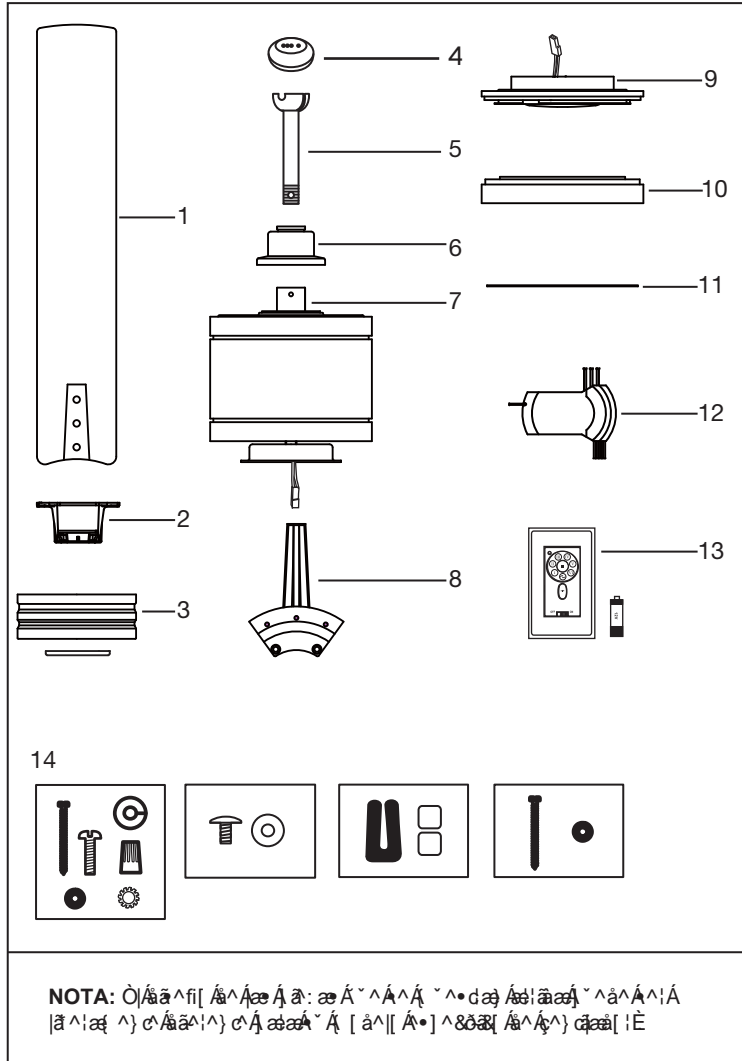
- ÖÜVVUÜÞ ÇŠÖÜÞ ÜÁÚP ÇŠÜÞ
- ÖÜVVUÜÞ ÇŠÖÜÞ ÜÁÚÇÞU
- ŠŠæç ÖÁÚ Áæçæç/ÖÜ
- ÖÜÞVæç Ü ÁÖ ÖÁÖ ŠÖÜ
- ÖÜ Öæç ÖÜ æç Ö Á/æç Ö Ü ç
- ÜWT æç VÜÞ Ü ÁÖ ÖÁÖ ŠÖÜ
- Ü Ö Ö` Þ ÁÜ ÖÜ WÜÞ ÜÞ ÁÚ Ü ÁÖ Ö Ü ç
- ÖŠ` ÖVÜ ç



# DESEMBALAJE TU VENTILADOR

## DESEMBALA TU VENTILADOR Y COMPRUEBA EL CONTENIDO

- P[...]
- Oca[...]



7 CBH9 B-8 C'89 @D5 EI 9H9 'JAIL		
1	Blade Set de 5	BL902152Fxx
2	Soporte colgante	CA902466Fxx
3	V[...]	
4	Õ àa:caá@{ ^ácaá@á[ ]æ	En Bolsa de hardware
5	CE aè à^caá@[ , ) : [ à.	DR94014Fxx
6	Õ àa:caá@^* [	YC900752Fxx
7	Ventilador con motor * Retire los soportes de envío de goma alrededor del motor, si corresponde. Guardar los tornillos	X
8	Blade Arm Set de 5	BLI902152Fxx
9	Asamblea de 16W LED	E902466LED
10	Cubierta de luz / pantalla de vidrio	AP902466Fxx GL902466ET
11	PLACA DE METAL (para uso sin luz)	X
12	Receptor incluido 5 tuercas de cable	CN902152
13	Control de pared con placa de pared de batería de 12 v, placa frontal, 2 juegos de tornillos de montaje y tornillos de máquina	980013FAS
14	<b>Bolsa de hardware</b>	
	Herraje de montaje de soporte (tornillos para madera, tornillos, arandelas de seguridad, arandelas de estrella, arandelas planas, tuercas de alambre), Tornillos de hoja a hoja y arandelas de goma, Kit de equilibrio Hardware de cable de seguridad (tornillo de madera, arandela plana)	HW902152Fxx
XX = ACABADO VENTILADOR		

**NOTA:** O[...]





**F971 9F89** @A B C D E F G H I J K L M N O P Q R S T U V W X Y Z

Úãäåö çèéêëìíîïþÿ àáâãäå Æ Ç È É Ê Ë Ì Í Î Ï Ñ Ò Ó Ô Õ Ö × Ø Ù Ú Û Ü Ý Þ à á â ã ä å æ ç è é ê ë ì í î ï ð ñ ò ó ô õ ö × ø ù ú û ü ý þ ÿ

- 6 Ö•|æ^Áæ& àa:æá^|Á~\* [ È\|Áæ] ã[ Á^Áæ] •c^Á Áæ& àa:æá •[ à^Áæçäå]æÖá ÈHD
- 7 Ö•|æ^Áæ& [æá^Á~•) ^) •æ) Á[ à^Áæçäå]æÖá •^|c^Á|Á ]ææã[ |Áæ) •ç^|æáæáæç...Á^Áæçäå]æÖá |æc^ÈÇ|æc^Á|Á ç!) ã[ Á^Áæ&æ) È
- 8 Úæc^Á[ •Áæã|Á^Áæáæç...Á^Á[ •Á:ääç •Á) Áæçäå æá^Á @ { ^áæã|Á^Áæã [ |æá^Á [ { æ^Á^Á •|æ^Áæçäå æ^Áæãæãæç Á •[ à^Áæçäå æc^Á~ ] ^|ç |Á^Áæã [ |æÖá ÈHD
- 9 Šçæç c^Áæã [ |æáæçäå]æÖá) çãã[ |Á) Áæãæ^|ç |æá^Á •[ ] [ |c^Á^Á~•) ^) •æ) Èþ UVÇÈŠæç^ ] >^æç^ ] ~^æãæáæã æá^|ç |æá^Á [ ] [ |c^Á^Á [ |\* æã [ |Á^á^Á) &æç^Á) Áæçäå~ |æá à^Áæã [ |æÖá ÈHD

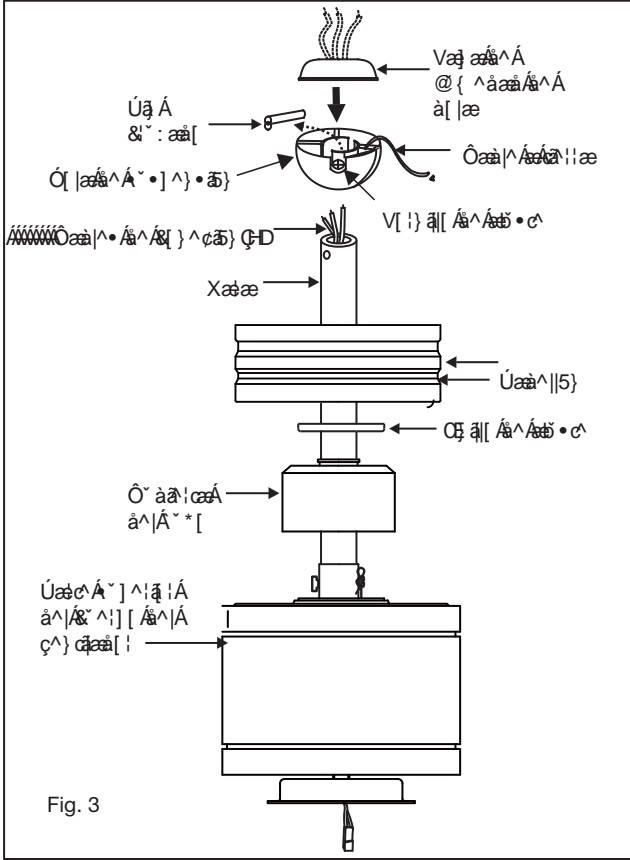


Fig. 3

**BCH5.**  
 Ú^Á~ { ç ä ç ä Ä Ä ä • Á^Áæã|Á^Á [ ) ä &ç |Á) Á|Á ç^ ) çãã[ |Á æãæ • æ& [ ] Áæç:æ Ä | • Áæ\* æ È

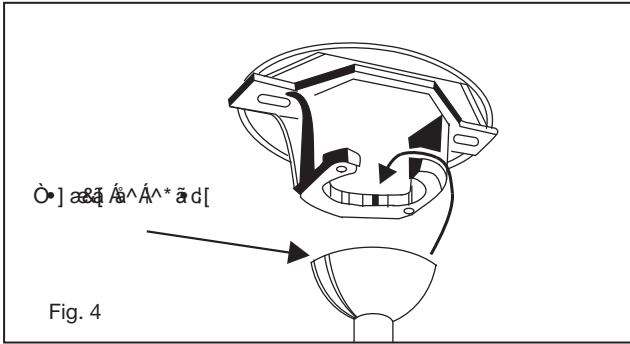


Fig. 4

# CONEXIONES ELÉCTRICAS

**RECUERDA** que el cableado debe ser realizado por un electricista calificado.

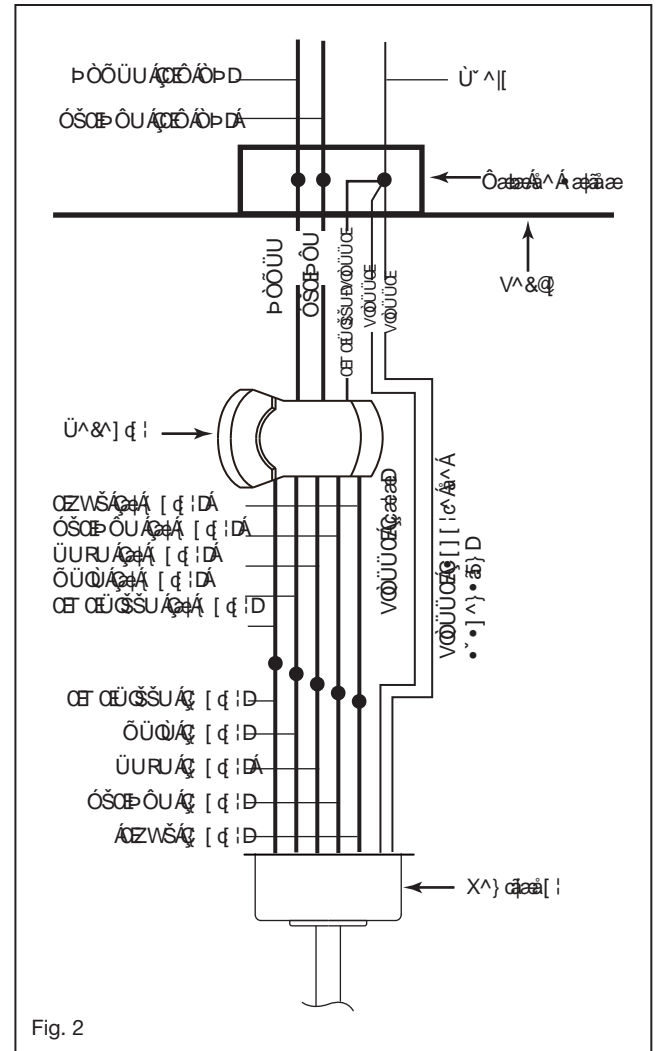
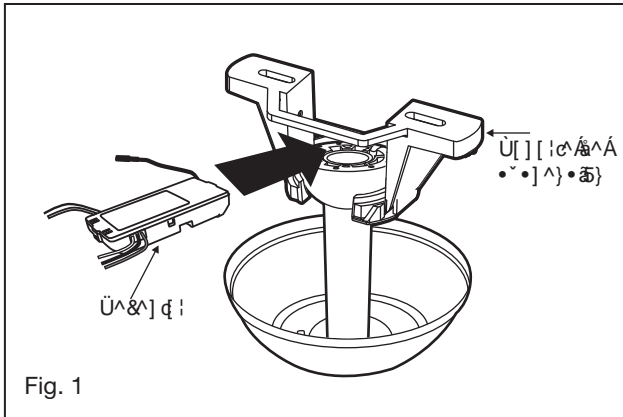
Antes de comenzar el cableado, asegúrese de que el interruptor de energía esté apagado y etiquetado. Consulte el manual de instrucciones para obtener información sobre los requisitos de cableado y los procedimientos de instalación.

**F** El cableado debe ser realizado de acuerdo con los requisitos de los códigos locales de electricidad y los estándares de la NFPA 70 (NEC).

**&** El cableado debe ser realizado de acuerdo con los requisitos de los códigos locales de electricidad y los estándares de la NFPA 70 (NEC).

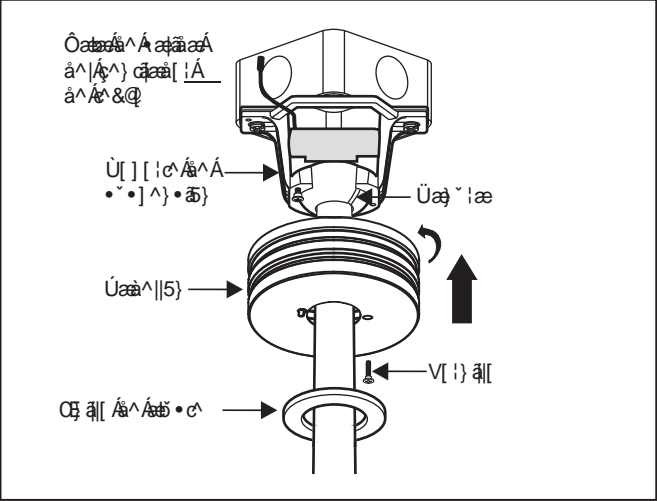
- El cableado debe ser realizado de acuerdo con los requisitos de los códigos locales de electricidad y los estándares de la NFPA 70 (NEC).
- El cableado debe ser realizado de acuerdo con los requisitos de los códigos locales de electricidad y los estándares de la NFPA 70 (NEC).
- El cableado debe ser realizado de acuerdo con los requisitos de los códigos locales de electricidad y los estándares de la NFPA 70 (NEC).
- El cableado debe ser realizado de acuerdo con los requisitos de los códigos locales de electricidad y los estándares de la NFPA 70 (NEC).
- El cableado debe ser realizado de acuerdo con los requisitos de los códigos locales de electricidad y los estándares de la NFPA 70 (NEC).
- El cableado debe ser realizado de acuerdo con los requisitos de los códigos locales de electricidad y los estándares de la NFPA 70 (NEC).

- El cableado debe ser realizado de acuerdo con los requisitos de los códigos locales de electricidad y los estándares de la NFPA 70 (NEC).
- El cableado debe ser realizado de acuerdo con los requisitos de los códigos locales de electricidad y los estándares de la NFPA 70 (NEC).
- El cableado debe ser realizado de acuerdo con los requisitos de los códigos locales de electricidad y los estándares de la NFPA 70 (NEC).
- El cableado debe ser realizado de acuerdo con los requisitos de los códigos locales de electricidad y los estándares de la NFPA 70 (NEC).
- El cableado debe ser realizado de acuerdo con los requisitos de los códigos locales de electricidad y los estándares de la NFPA 70 (NEC).
- El cableado debe ser realizado de acuerdo con los requisitos de los códigos locales de electricidad y los estándares de la NFPA 70 (NEC).



# 575658C'89' @ 'BGH5 @ 7 é B

- 1 Ü^} d^: Á [ ä ] ^ ^ ( ^ ) o^ ^ & [ ] } ^ cä } • Áca} • Áca [ i c^ Á^ Á [ i c^ Áe Á ] | äe } äÉ
  - 2 Qca^ • Á | ä • ^! Áca^ | | ä + ^ Á • ~ ~ @é Á ~ ] ] | | c^ Á^ Á [ ] } c^ Á^ Á d^ | äe: Á^ Á d [ ~ Á^ Á | . Á ~ | Áca } ^ äe Á^ Á ca } äe ! ^ Áca^ Á ~ | Á^ Á ~ ] ] | | c^ Á^ Á { [ ] } c^ Á^ Á [ ~ ] ] ^: Áca^ | | ä + ^ Á • ~ ~ @Á^ Á ~ @ | | Á^ Á^ Á | | ~ | | Á^ Á } Á ] | äe Áca } • Áca ^ Áca } Á d [ ä^ Á^ Á | ~ • Á^ Á | . É
  - 3 Qca } ^: Á^ Á | ~ Áca & | äe Á^ Á | Áca c^ ^ } c^ Á^ Á^ Á | ~ Á^ • ca } c^ Á^ Á ~ ~ ] ] | | c^ Á^ Á [ ] } c^ Á^ Á^ Á: Á } Á^ | | ä } o^ ^ Á^ Á ~ c^ Á^ Á^ Á . \* | äe ^ É
- ÜÖT CEÜWÖKÖB • c: Á^ Á^ Á^ Á^ Á^ Á^ | | ä + ^ Áe Á^ Á [ ä Á • ~ ~ @Á^ Á ~ ~ ^ Áca^ | | ä + ^ Á d^ } ^ äe Á^ Á ca } äe ! ^ Á [ ä ] o^ ä } Áca • c: É



**58 J9FH9B7-5.**  
 CE ^ \* g | ^ ^ Á^ Á ~ ^ Á | Á ca } & @ Á } Á | Á [ ] | | c^ Á^ Áca^ | | \* ca Á^ Áca } c^ Á^ | | ^ & ca } ^ ) c^ Á^ Áca^ | | ca Á^ Áca^ á | | ca Á^ Á ~ ~ ] ] ^ • ^ ) Áca } c^ Á^ Áca^ Á | | • ^ Á^ Á [ ] | | c^ Á^ Áca } á | Áca^ Áca^ ca } c^ Á^ Áca^ ca } Á^ Á^ \* ca É





**БГН5 @ B8 C'9 @7 CB>I BHC'89' @8 'M' @7I 6 9FH5' @, 9F5**

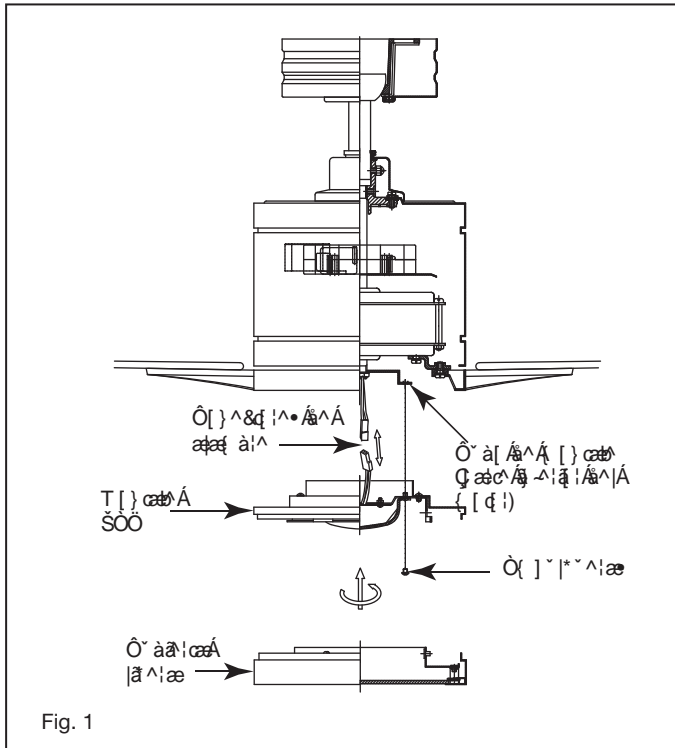


Fig. 1

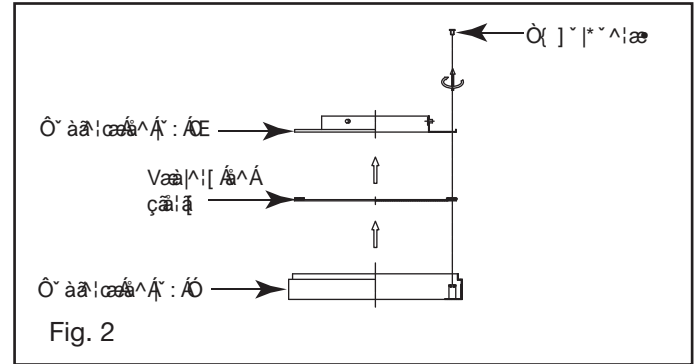


Fig. 2

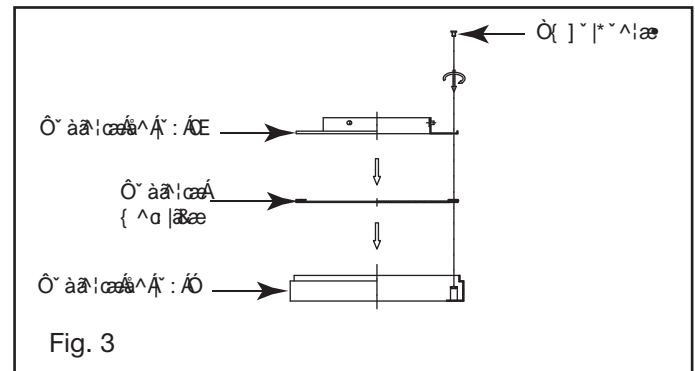


Fig. 3

- 1 Ü^&^Á [ /&^Á • /&^Á ; ] ã [ • Á ) Á /&^Á à [ /&^Á [ ] &^Á  
 ~ à&^Á [ Á ) Á /&^Á [ ç [ /&^Á /&^Á ] ç&^Á [ ] &^Á ;
- 2 T ã } d&^Á [ • ç ) ^Á /&^Á ] b } ç /&^Á /&^Á à&^Á /&^Á Á  
 ç^ ) ç&^Á [ ] &^Á ç&^Á /&^Á /&^Á ] ^ç&^Á ] ^• /&^Á ) &@ ^Á [ ] ç&^Á ç&^Á Á  
 ç&^Á &^Á  
 - [ [ ] ç&^Á ç&^Á &^Á  
 - &^Á ; [ ] ç&^Á ^• /&^Á ]  
**BCH5 .ÁÜ&^Á** [ Á ] ç&^Á ç&^Á /&^Á ç&^Á /&^Á : ÁSÖÖ&^Á } Á• Á  
 ç^ ) ç&^Á [ ] Á ) Á • ç Á [ [ ] ^ } ç [ ] Á ç&^Á /&^Á /&^Á ] ^ç&^Á ] ^• /&^Á [ ] Á  
 &^Á ] ^• E  
 Ü^&^Á [ /&^Á ; ] ã [ • Á ç&^Á ^• /&^Á ] ç&^Á /&^Á ç&^Á /&^Á : ÁSÖÖ&^Á } Á• Á  
 ç^ ) ç&^Á [ ] Á ) Á • ç Á [ [ ] ^ } ç [ ] Á ç&^Á /&^Á /&^Á ] ^ç&^Á ] ^• /&^Á [ ] Á  
 ç&^Á : ÁÓÁ /&^Á : à[ /&^Á /&^Á : ÁÓ&^Á ] Á [ • Á ; ] ã [ • Á ] [ ç&^Á ç&^Á ] &^Á

- 3 Ô [ [ ] ^• /&^Á /&^Á ] ^ç&^Á ] ^• /&^Á /&^Á &^Á ) ç Á ) Á /&^Á • ç&^Á à [ ç&^Á /&^Á /&^Á  
 &^Á [ [ ] ^• /&^Á /&^Á ] • ç&^Á à [ ç&^Á /&^Á /&^Á ] Á /&^Á : à [ /&^Á [ ] &^Á /&^Á ] Á /&^Á ; ] ã [ • Á  
 ] [ ç&^Á ç&^Á ] &^Á
- 4 Š ç&^Á ç Á ç&^Á : à[ /&^Á /&^Á : Á&^Á ] d&^Á /&^Á • ç&^Á à [ ç&^Á /&^Á /&^Á ç&^Á ] Á /&^Á  
 • ^ ) ç&^Á [ /&^Á ç&^Á ç&^Á ç&^Á /&^Á /&^Á ] [ ] ç&^Á ç&^Á ^• /&^Á ^• /&^Á • ç&^Á ç&^Á ] &^Á
- 5 Ü^• ç&^Á /&^Á /&^Á ] ^• ç&^Á Á ç&^Á /&^Á &^Á • Á • ç&^Á Á ç&^Á } &^Á } ç&^Á

















# HINKLEY

## **GLOBAL HEADQUARTERS**

33000 Pin Oak Parkway | Avon Lake, Ohio 44012

T (440) 653 5500 | F (440) 653 5555 | [hinkley.com](http://hinkley.com)

HINKLEY

# 52" VAIL™

ΧΩΡΟΣ ΕΣΤΕΡΝΟ ΣΤΑΘΕΡΟ ΨΕΦΑΙΡΟΤΗΡΑ



WET



DC MOTOR



LED



Intertek

ΤΡΑΠΕΖΑΡΙΑ ΨΕΦΑΙΡΟΤΗΡΑ ΕΣΤΕΡΝΟ  
ΧΩΡΟΣ ΕΣΤΕΡΝΟ ΣΤΑΘΕΡΟ ΨΕΦΑΙΡΟΤΗΡΑ



## H56 @ '89G'A5HäF9G

02 -BGHFI 7HCBG'; vBvF5 @G8#BGH5 @@HCB'9H'  
03 89': CB7HCB9A9BH  
DFv75I HCBG'89'Gv7I F#v'ADCFH5BH9G  
03 CI H@G'9HA5HvF-5I L'F9EI G'  
04 8v65 @@; 9'89'JCHF9'J9BH@H9I F  
05 DFvD5F5HCB  
05 -BGH5 @@HCB'8I 'GI DDCFH'89'GI GD9BG-CB  
06 577FC7<9F'@'J9BH@H9I F  
08 7CBB97HCBG'9@7HF-EI 9G  
09 : -B'89'@#BGH5 @@HCB  
10 5HH57<9A9BH'89'@A9

11 -BGH5 @@HCB'8I '?#H8fv7 @F5; 9'9H89'@'H9H9'  
12 9B'J9FF9'-BGH5 @@HCB'89'@'7CAA5B89'  
13 AI F5@'CDvF5HCB  
15 9BHF9H9B'9H'B9HHCMB; 9  
15 8vD5BB5; 9  
16 ; I -89'vB9F; vHEI 9  
16 75F57HvF-GHEI 9G  
16 GA5FH'6M6CB8

### 5J9FHGG9A9BH.

Šã^: ÁóÁ` q^: Áacc} cã^{ ^} o&^• Áj• d` &cã }• ÁóÁ} ^: Áã[ { ] cÁ^Áj`• Á^• Áã^! cã• ^{ ^}• Á  
qããã`..Áj` o&é Áj }\*É

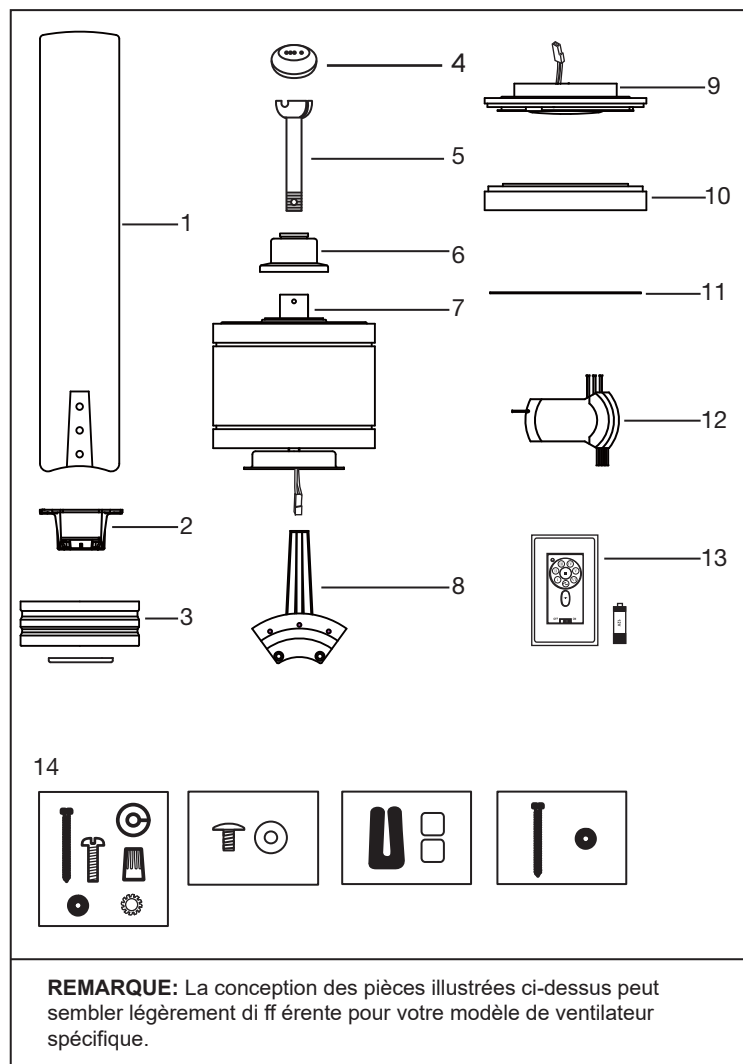




# DÉBALLAGE DE VOTRE VENTILATEUR

## DÉBALLER VOTRE FAN ET VÉRIFIER LE CONTENU

- Ne jetez pas le carton. Si un remplacement ou une réparation sous garantie est nécessaire, le ventilateur doit être retourné dans son emballage d'origine. Retirez toutes les pièces et le matériel. Ne posez pas le boîtier du moteur sur le côté, sinon le boîtier décoratif pourrait se déplacer, être plié ou endommagé.
- Examinez toutes les pièces. Vous devriez avoir les éléments suivants:



## CONTENU DU FORFAIT VAIL

1	Ensemble de 5 lames	BL902152Fxx
2	Support de suspension	CA902466Fxx
3	Auvent de plafond et anneau de garniture	
4	Housse de protection contre l'humidité de la balle	Dans un sac de quincaillerie
5	Ensemble de tige de suspension	DR94014Fxx
6	Housse de joug	YC900752Fxx
7	Boîtier de ventilateur avec moteur * Retirez les supports d'expédition en caoutchouc autour du moteur, le cas échéant. Conservez les vis.	X
8	Ensemble de 5 bras de lame	BLI902152Fxx
9	Assemblage LED 16W	E902466LED
10	Couverture légère / abat-jour en verre	AP902466Fxx GL902466ET
11	Plaque métallique (pour aucune utilisation légère)	X
12	Récepteur incl. 5 écrous	CN902152
13	Contrôle mural avec plaque murale de batterie 12v, plaque frontale, 2 jeux de vis de montage et de vis mécaniques	980013FAS
14	<b>Sac de matériel</b>	
	Matériel de montage du support (vis à bois, vis, rondelles frein, rondelles étoile, rondelles plates, écrous métalliques), Vis de lame à lame et rondelles en caoutchouc, Kit d'équilibre, Matériel de câble de sécurité (vis à bois, rondelle plate)	HW902152Fxx
XX=FINITION VENTILATEUR		

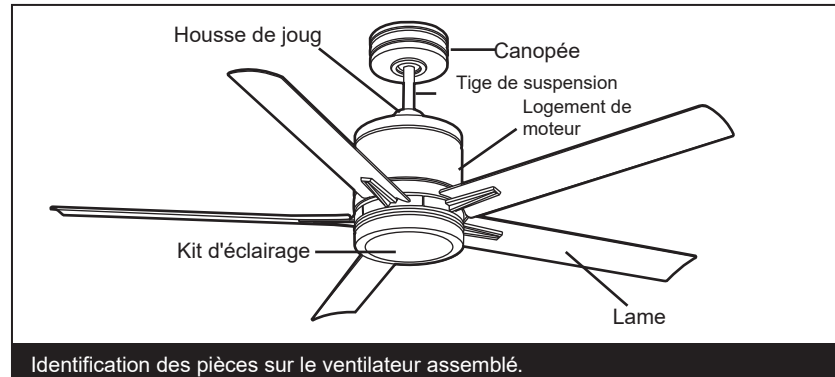


## PRÉPARATION

### PRÉPARATION:

Vérifiez que vous disposez de toutes les pièces avant de commencer l'installation. Vérifiez soigneusement l'insert en mousse pour les pièces manquantes. Retirez le moteur de l'emballage. Pour éviter d'endommager la finition, assemblez le moteur sur une surface rembourrée ou utilisez l'insert en mousse d'origine dans le boîtier du moteur.

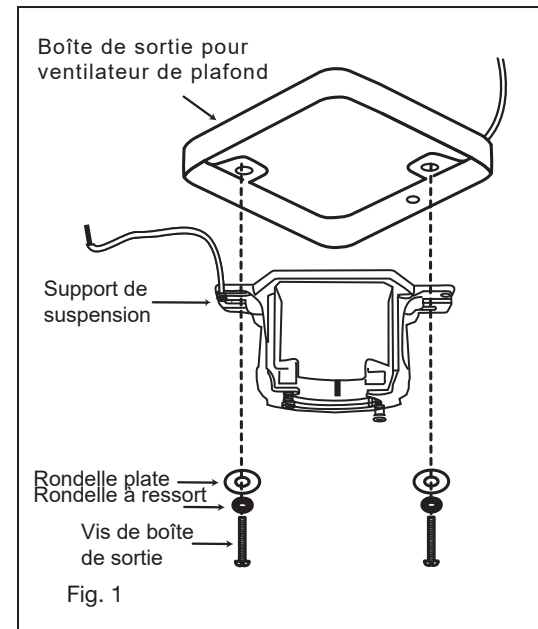
**NE POSEZ PAS DE LOGEMENT DE MOTEUR SUR LE CÔTÉ, CELA POURRAIT ENTRAÎNER LE DÉPLACEMENT DU MOTEUR DANS LE BOÎTIER DÉCORATIF.**



## INSTALLATION DU SUPPORT DE SUSPENSION

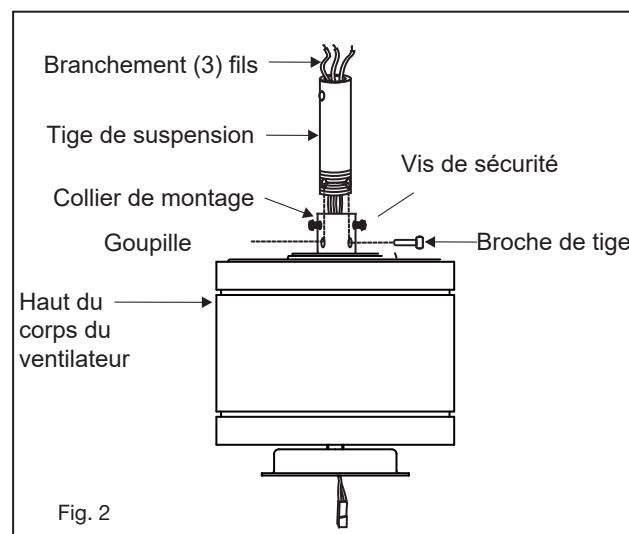
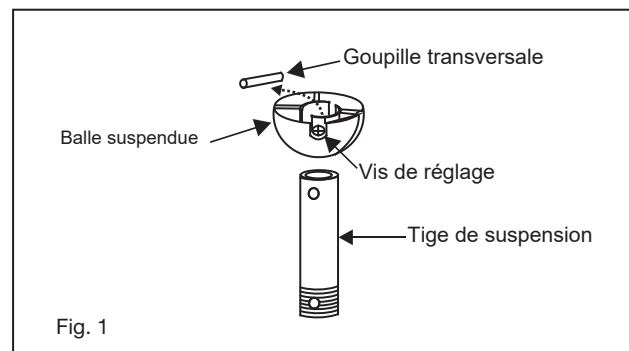
**ATTENTION:** pour éviter tout choc électrique, assurez-vous que l'électricité est coupée sur le boîtier d'alimentation principal avant le câblage. Tout le câblage doit être conforme aux codes électriques nationaux et locaux et le ventilateur de plafond doit être mis à la terre par mesure de précaution contre un éventuel choc électrique.

- 1 Localisez la solive de plafond où le ventilateur doit être monté, en étant sûr que l'emplacement est conforme aux exigences de la section de dégagement minimum de ce guide. Les solives en bois doivent être solides et de taille adéquate pour supporter 35 livres (voir page 2, articles 3 et 4).
- 2 S'il n'est pas déjà présent, montez un boîtier de sortie homologué UL marqué "adapté au support du ventilateur" en suivant les instructions fournies avec le boîtier de sortie. La boîte de sortie doit pouvoir supporter un minimum de 35 livres.
- 3 Fixez le support de suspension au boîtier de sortie à l'aide des vis fournies avec le boîtier de sortie.



## ACCROCHER LE VENTILATEUR

- 1 Retirez la balle de la tige de suspension en desserrant la vis de réglage sur le côté de la balle. Faites glisser la balle vers le bas et retirez la goupille; retirez la balle. (Fig. 1)
- 2 Soutenez soigneusement le corps du ventilateur (moteur) dans son emballage en mousse de polystyrène avec le collier de montage (où les fils sortent) vers le haut.
- 3 Desserrez les deux vis de sécurité et retirez la goupille de la tige de suspension et le clip de retenue de l'accouplement sur le dessus de l'ensemble moteur. (Fig.2)
- 4 Faites passer soigneusement les fils électriques du ventilateur à travers la tige de suspension. Vissez la tige de suspension dans le coupleur jusqu'à ce que les trous s'alignent. Insérez la goupille de la tige de suspension dans les trous du collier de montage et de la tige de suspension; cliper la goupille fendue dans le petit trou à l'extrémité de la goupille de la tige pour maintenir la tige en place.
- 5 Serrez les vis de sécurité contre la tige de suspension à l'aide d'un grand tournevis à lame plate pour assurer un ajustement serré contre la tige de suspension. Serrez les écrous contre le collier de montage.



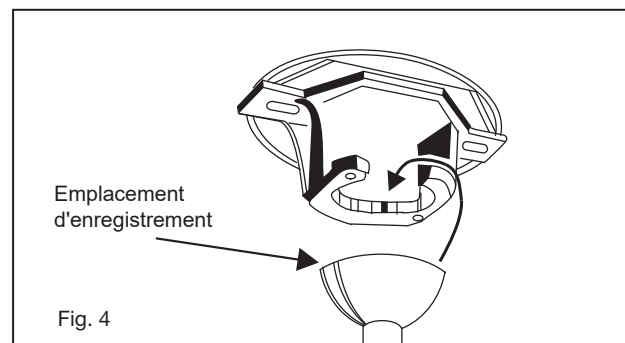
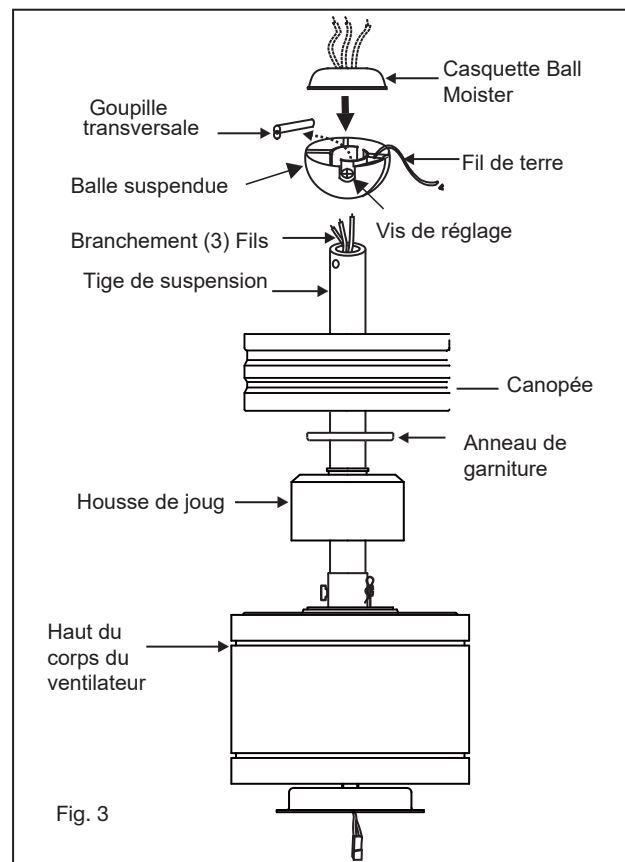
**N'OUBLIEZ PAS** de couper l'alimentation avant de commencer.

Pour installer correctement votre ventilateur de plafond, suivez les étapes ci-dessous.

- 6 Glissez le couvercle de l'étrier, l'anneau de garniture et la verrière sur la tige de suspension. (Fig.3)
- 7 Faites glisser la boule de suspension sur la tige de suspension, insérez la goupille transversale à travers la tige de suspension et serrez. Serrez la vis de réglage.
- 8 Faites passer les fils à travers les trous du capuchon d'humidité de la bille en caoutchouc et faites glisser le capuchon vers le bas sur le dessus de la bille. (Fig.3)
- 9 Soulevez la boule / tige de suspension / ventilateur dans l'ouverture du support de suspension.  
REMARQUE: La languette opposée à l'ouverture du support de suspension doit s'insérer dans la fente de la boule. (Fig.4)

**REMARQUE:**

6 pieds de fil conducteur sont fournis sur le ventilateur pour une utilisation avec des tiges de suspension plus longues

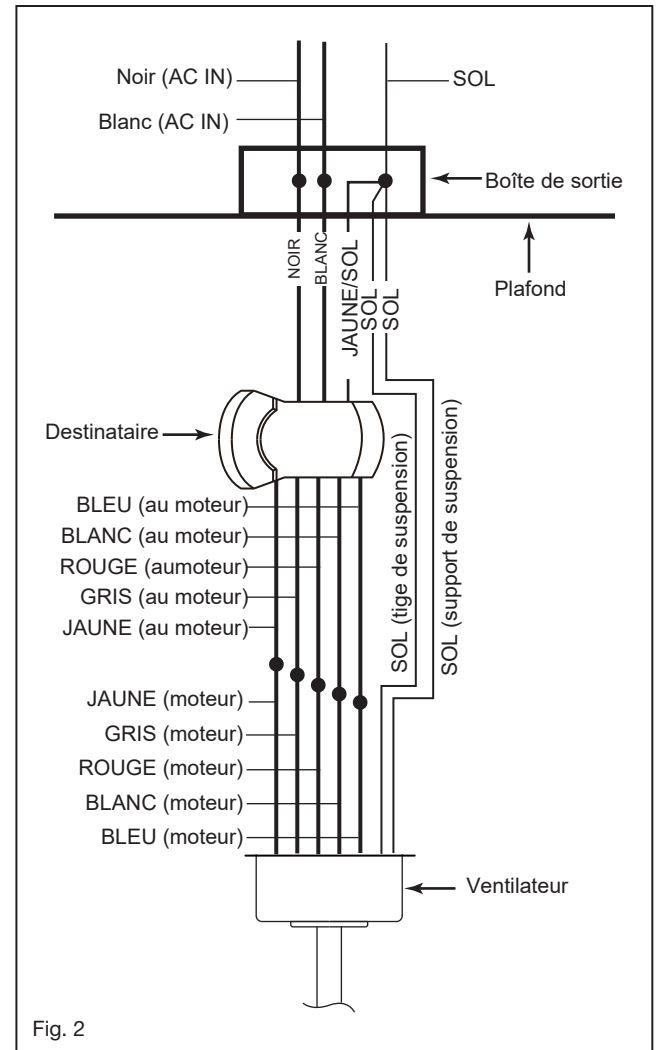
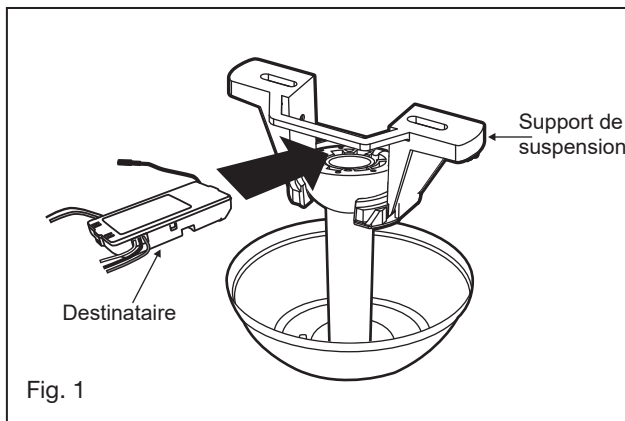


## CONNEXIONS ELECTRIQUES

**N'OUBLIEZ PAS** - Coupez l'alimentation! **REMARQUE** - La commande doit être installée à moins de 30 pieds du ventilateur.

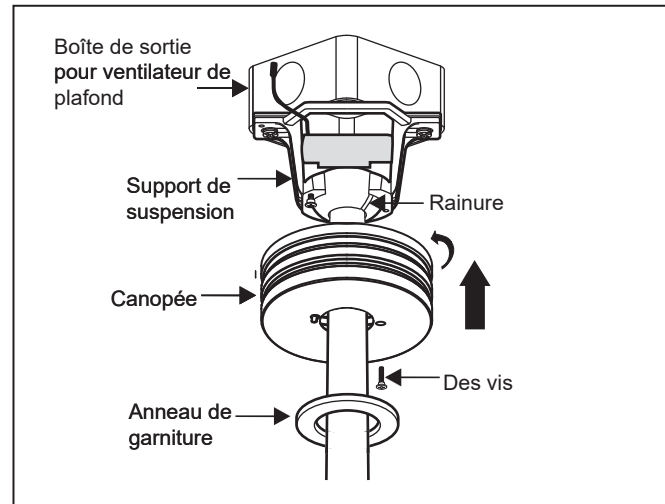
Utilisez les serre-fils fournis avec votre ventilateur lors des connexions. Fixez les connecteurs avec du ruban électrique et assurez-vous qu'il n'y a pas de connexions desserrées ou de brins de fils.

- 1 Insérez le récepteur dans le haut du boîtier du ventilateur. (Fig. 1) Pour de meilleures performances, assurez-vous que l'antenne noire, à l'extrémité du récepteur, reste déployée et ne s'emmêle avec aucun des fils électriques.
- 2 Effectuez les connexions de câbles entre le ventilateur et le récepteur. Pour cette étape, utilisez le faisceau de 5 fils sur le récepteur. (Fig.2). 2)
  - Connectez le fil de ventilateur JAUNE au fil de récepteur JAUNE.
  - Connectez le fil de ventilateur GRIS au fil de récepteur GRIS.
  - Connectez le fil neutre du ventilateur ROUGE au fil neutre du récepteur ROUGE.
  - Connectez le fil neutre du ventilateur BLANC au fil neutre du récepteur BLANC.
  - Connectez le fil neutre du ventilateur BLEU au fil neutre du récepteur BLEU.
- 3 Connectez le câblage du plafond à l'unité de réception. (Utilisez le faisceau de 2 fils sur le récepteur.) Fixez avec le fil fourni
  - Connectez le fil d'alimentation du bâtiment NOIR au fil du récepteur NOIR.
  - Connectez le fil neutre du récepteur BLANC au fil neutre du bâtiment BLANC.
  - Connectez le fil de terre du bâtiment COPPER au fil de terre du ventilateur JAUNE / VERT.
  - Connectez également les deux fils VERT (du ventilateur) au fil de terre du bâtiment.



## Fin de l'installation

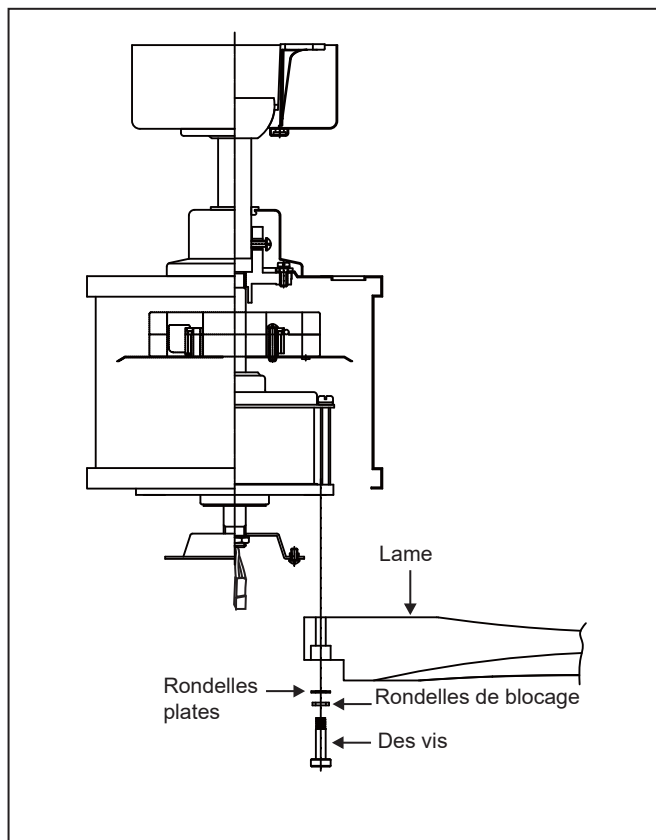
- 1 Rentrez soigneusement les connexions dans la boîte de sortie au plafond.
- 2 Faites glisser la verrière jusqu'au support de montage et placez le trou de clé sur l'anneau de garniture la vis sur le support de montage, tournez la verrière jusqu'à ce qu'elle se verrouille en place dans la section étroite des trous de clé.
- 3 Alignez le trou circulaire sur l'auvent avec le trou restant sur le support de montage, fixez en serrant les deux vis de réglage.  
**REMARQUE:** Ajustez les vis de la verrière au besoin jusqu'à ce que la verrière et l'anneau de garniture soient bien ajustés.



### AVERTISSEMENT:

Assurez-vous que le crochet du support de suspension repose correctement dans la rainure de la boule de suspension avant de fixer la verrière au support en tournant le boîtier jusqu'à ce qu'il tombe en place.

## INSTALLATION DES LAMES

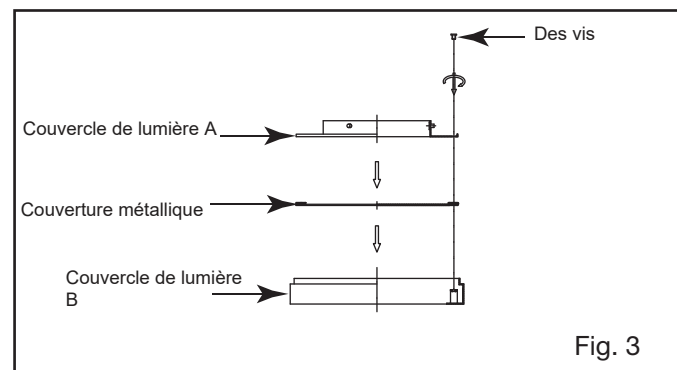
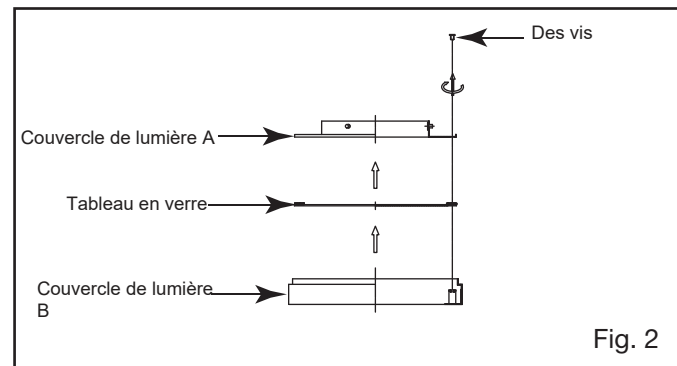
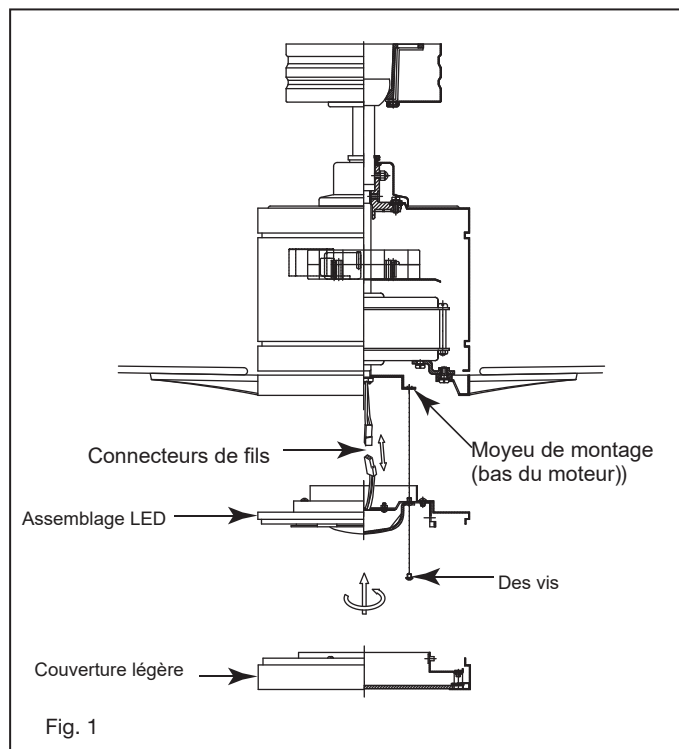


Fixez la lame au moteur avec les vis, rondelles de blocage et rondelles plates fournies. Répétez la procédure pour les lames restantes. Assurez-vous que les vis sont **SERRÉES!** Des vis de moteur desserrées peuvent contribuer à un ronflement inutile pendant le fonctionnement.

### REMARQUE:

Les tournevis électriques sans fil ne sont **PAS** recommandés, car ils dénudent généralement la tête des vis et ne compressent généralement pas complètement les rondelles de blocage sur les vis du moteur. Utilisez un grand tournevis à lame plate pour un serrage final afin de comprimer complètement les rondelles. Cela aidera à assurer un alignement correct des lames et un fonctionnement sans bruit et sans vacillement.

## INSTALLATION DE L'ENSEMBLE LED ET DU COUVERCLE DE LUMIÈRE



1 Retirez l'une des trois vis du moyeu de montage situé sur le moteur du ventilateur. (Fig. 1)

2 Tout en tenant l'ensemble LED sous votre ventilateur, effectuez les connexions des fiches polarisées: (Fig.1)

- Rouge à blanc
- Noir à noir

**REMARQUE:** Si vous ne prévoyez pas d'installer le kit d'éclairage LED avec votre ventilateur pour le moment, ne faites pas les connexions de fils.

Retirez les vis et retirez la plaque de verre du couvercle de la lampe (Fig.2), puis fixez le couvercle métallique au couvercle de la lampe B et au couvercle de la lampe A avec les vis fournies. (Fig.3)

3 Rentrez soigneusement les connexions dans l'ensemble LED, placez l'ensemble LED sur le moyeu de montage avec les 3 vis fournies. (Fig. 1)

4 Soulevez le couvercle de la lumière contre le bloc LED et tournez-le dans le sens des aiguilles d'une montre jusqu'à ce qu'il soit bien ajusté, NE PAS TROP SERRER. (Fig. 1)

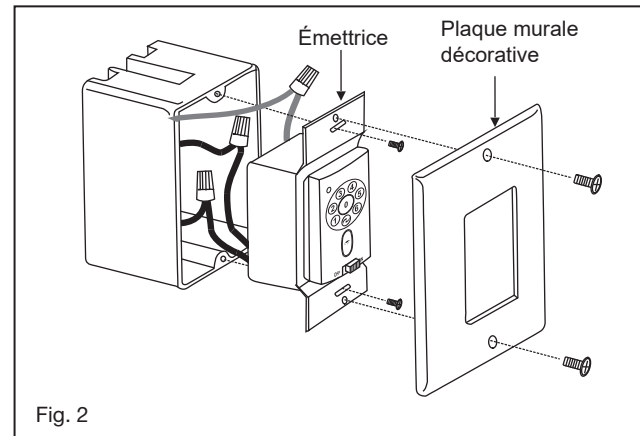
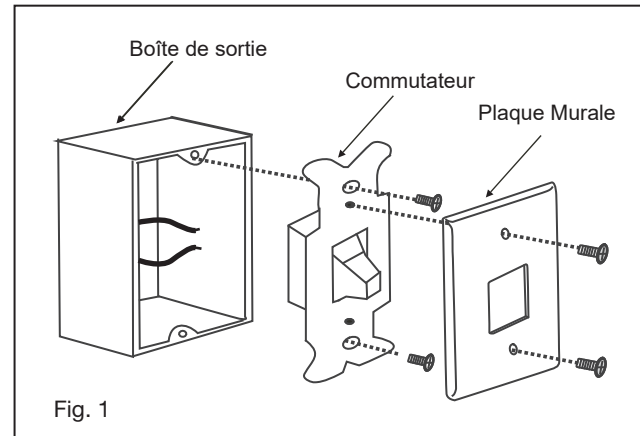
5 Rétablissez l'alimentation et votre kit d'éclairage est prêt à fonctionner.

## INSTALLATION DE LA COMMANDE MURALE

**N'OUBLIEZ PAS** de couper l'alimentation avant de commencer.

**REMARQUE** - La commande doit être installée à moins de 30 pieds du ventilateur

- 1 Retirez la plaque murale existante et l'ancien interrupteur du boîtier de prise murale. (Fig. 1)
- 2 Connectez le câblage de la prise murale à l'émetteur mural
  - Connectez un fil NOIR du mur à un fil NOIR (étiqueté "TO FAN") de l'émetteur mural.
  - Connectez l'autre fil NOIR (étiqueté "TO POWER SUPPLY") de l'émetteur au fil NOIR restant du mur (source d'alimentation A / C).
- 3 Connectez le fil de terre vert de l'interrupteur au fil de terre du boîtier de prise murale.
- 4 Installez l'émetteur mural sur la boîte murale existante à l'aide des vis fournies. Fixez la plaque murale avec les vis de montage pour terminer l'installation. (Fig.2)









## OPÉRATION

Votre moteur CC sans balais est équipé d'une télécommande de type à apprentissage automatique. Il n'y a pas de commutateurs de fréquence sur le récepteur ou l'émetteur. Le ventilateur peut commencer à utiliser une fois le processus d'appariement terminé.

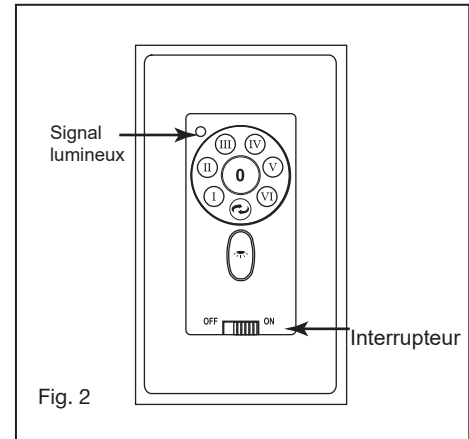
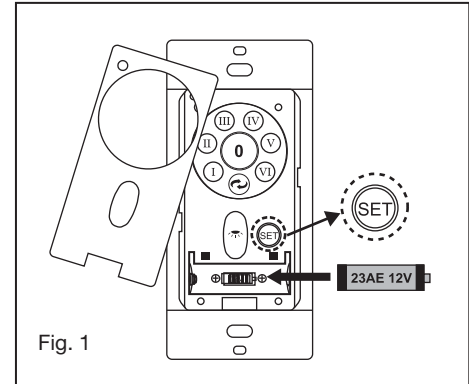
Retirez le panneau de l'émetteur, puis installez une pile 23A / 12V (incluse). Pour éviter d'endommager l'émetteur, retirez la batterie si vous ne l'utilisez pas pendant de longues périodes (Fig. 16).

- 1  Bouton I, II, III, IV, V et VI:  
Ces six boutons sont utilisés pour régler la vitesse du ventilateur comme suit:  
I = vitesse minimale  
II = basse vitesse  
III = vitesse moyenne basse  
IV = vitesse moyenne V = vitesse moyenne élevée  
VI = haute flèche
- 2  bouton:  
Ce bouton éteint le ventilateur
- 3  Bouton de marche arrière:  
Ce bouton sert à contrôler la direction du ventilateur. Ce bouton doit être enfoncé pendant le fonctionnement du ventilateur (vitesse suggérée IV)
- 4  Bouton d'éclairage:  
Ce bouton sert à contrôler la lumière en option. Mettez l'interrupteur DIP "D" et "ON" à l'avant de l'émetteur pour décider de la lumière en "ON / OFF" ou "Dimmable"

- 5 Bouton de réglage du code "SET": Suivez les étapes ci-dessous pour utiliser le bouton de réglage. (Fig. 1)
- 6 ON - OFF Bouton coulissant: interrupteur d'alimentation. (Fig. 16)
- 7 Signal lumineux (Fig. 2)6

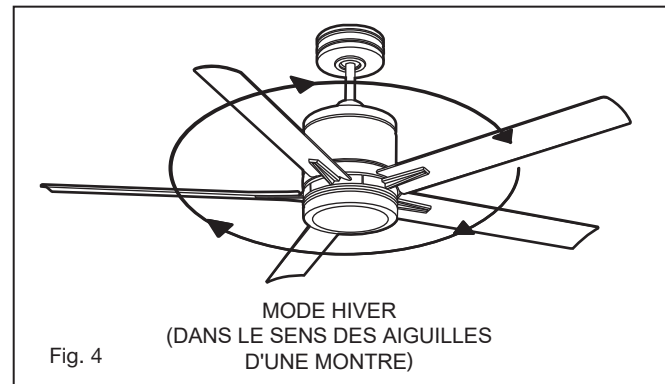
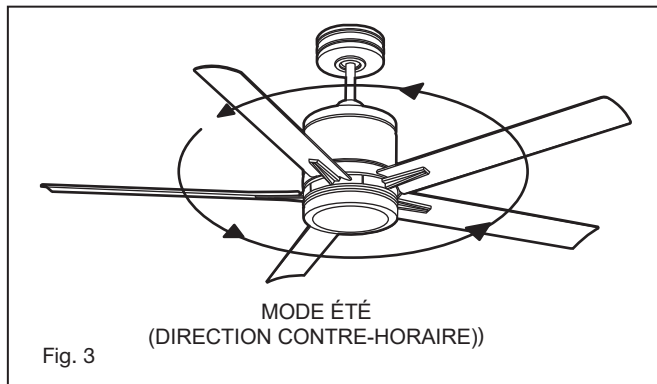
### Processus d'appariement

Lorsque le ventilateur est hors tension, rétablissez l'alimentation du ventilateur. Appuyez et maintenez le bouton "SET" pendant environ 5 secondes et relâchez. Si un kit d'éclairage en option est installé, le kit d'éclairage clignote deux fois et le voyant lumineux de la commande murale s'allume lorsque vous appuyez sur le bouton. Le ventilateur a terminé le processus d'appariement avec la commande murale et est prêt à l'emploi.  
REMARQUE: Un seul ventilateur peut être contrôlé avec jusqu'à 3 commandes murales dans une pièce. Chaque contrôle devra répéter le processus de couplage en fonction des instructions ci-dessus et tous les contrôles doivent être à moins de 30 pieds du ventilateur.



## Fonctionnement en mode été et en mode hiver

- 8 Mode été (avant):  
Un flux d'air VERS LE BAS crée un effet de refroidissement comme illustré à la figure 3. Cela vous permet de régler votre climatiseur sur un réglage plus chaud sans affecter votre confort.
- 9 Mode hiver (marche arrière):  
Un flux d'air VERS LE HAUT déplace l'air plus chaud de la zone du plafond comme illustré à la figure 4. Cela vous permet de régler votre unité de chauffage sur un réglage plus frais sans affecter votre confort.



## ENTRETIEN ET NETTOYAGE

Périodiquement, il peut être nécessaire de resserrer les vis de la lame sur le bras de la lame ou du bras de la lame sur les vis du moteur pour éviter les cliquetis ou les bourdonnements pendant le fonctionnement. Cela est particulièrement vrai dans les climats avec de larges plages de température et d'humidité.

Lors de l'époussetage des lames, vous devez soutenir la lame pour éviter qu'elle ne se plie - aucune pression ne doit être appliquée sur les lames. Si vous rencontrez des défauts dans le fonctionnement de votre ventilateur, veuillez vérifier les points suivants.

## DÉPANNAGE

### MISE EN GARDE:

Coupez l'alimentation électrique avant d'effectuer l'une de ces vérifications

### PROBLÈME

### SOLUTION

#### LE VENTILATEUR NE DÉMARRE PAS

1. Vérifiez les fusibles ou les disjoncteurs du circuit.
2. Vérifiez le voyant lumineux de la commande murale. Si la LED n'est pas allumée en appuyant sur un bouton, elle ne transmet pas de signal. Veuillez vérifier l'alimentation de la commande murale / du disjoncteur et de toutes les connexions électriques.
3. Assurez-vous qu'il n'y a pas plus de 2 ventilateurs fonctionnant sur un circuit via la commande murale. Assurez-vous qu'il n'y a pas plus de 12 ventilateurs fonctionnant sur un circuit via un interrupteur mural marche / arrêt ou un disjoncteur (pas via une commande murale).
4. Assurez-vous que le ventilateur se trouve à portée du WiFi (150 pi) ou de la commande murale (30 pi).

#### FAN SONS BRUIT

1. Accordez une période de rodage de 24 heures. La plupart du bruit associé à un nouveau ventilateur disparaîtra pendant ce temps.
2. Assurez-vous que toutes les vis du boîtier du moteur sont bien fixées.
3. Assurez-vous que les vis qui fixent la lame du ventilateur au ventilateur sont bien serrées.
4. Assurez-vous que votre boîtier de plafond est sécurisé et que des coussinets isolants en caoutchouc sont utilisés entre le support de montage et le boîtier de sortie.

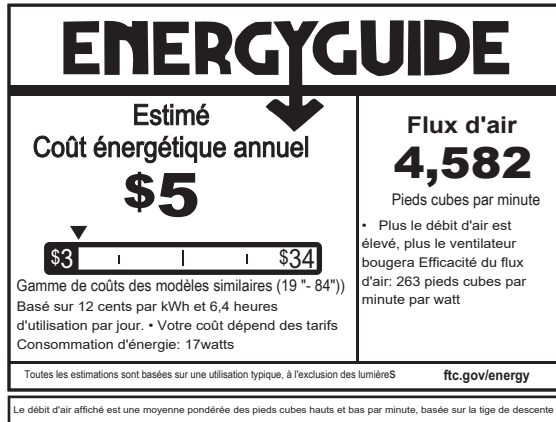
#### VENTILATEURS WOBBLES

1. Vérifiez que toutes les vis de lame et de bras de lame sont bien fixées.
2. Si l'oscillation de la lame est toujours perceptible, l'échange de deux lames adjacentes (côte à côte) peut redistribuer le poids et éventuellement entraîner un fonctionnement plus fluide.
3. Vérifiez que toutes les tiges de fixation du matériel du moteur et / ou de la boule de suspension sont bien serrées.
4. Assurez-vous que le boîtier de plafond est sécurisé.

## GUIDE ÉNERGÉTIQUE

## CARACTÉRISTIQUES

### PERFORMANCE MOYENNE ET INFORMATIONS ÉNERGÉTIQUES



SPÉCIFICATIONS DE PERFORMANCE	LA NORME	
	HAUTE VITESSE	FAIBLE VITESSE
Débit d'air (CFM)	6973	1872
Consommation d'énergie (watts)	28.3	2.2
Efficacité du flux d'air (CFM / W)	247	851
Coûts énergétiques (annuels)	\$8	\$1
Amplis	0.40	0.05
RPMs	160	45

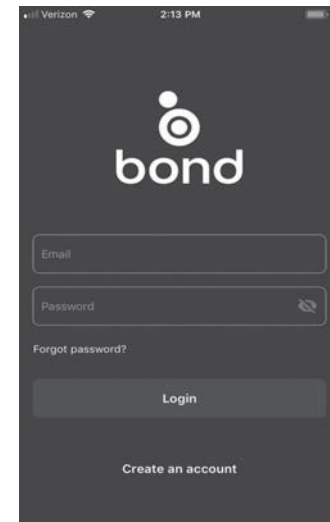
## SMART BY BOND

### OPTIONS DE VENTILATEUR HINKLEY SMART:

En plus du contrôle mural inclus, vous pouvez contrôler votre ventilateur Hinkley via l'application Bond.

- Pour utiliser l'application, téléchargez-la gratuitement depuis l'App Store ou Google Play.
- Ouvrez l'application pour créer votre compte. Vous pouvez également vous connecter avec votre compte Facebook ou Google.
- Ensuite, configurez une connexion WiFi. Vous aurez besoin du SSID et du mot de passe WiFi pour le réseau auquel vous souhaitez vous connecter.
- Vous serez invité à choisir la finition de votre ventilateur et à nommer votre périphérique de ventilateur.
- L'application vous guidera à travers l'écran principal et vous montrera comment modifier la vitesse des ventilateurs, atténuer la lumière, régler les minuteries ou utiliser le mode brise.

**REMARQUE:** 2 ventilateurs maximum peuvent fonctionner sur un circuit via la commande murale. Un maximum de 12 ventilateurs peuvent fonctionner sur un circuit via un interrupteur marche / arrêt ou un disjoncteur lors de l'utilisation de l'application pour la commande du ventilateur (sans la commande murale dans le circuit).



<https://bondhome.io/app>

HINKLEY EST FIÈRE DE VOUS FOURNIR DES PRODUITS DE VENTILATEUR DE PLAFOND QUI AMÉLIORENT VOTRE ESPACE AVEC CONFORT, OBJECTIF ET STYLE. EN TANT QU'ENTREPRISE FAMILIALE, NOUS NOUS ENGAGEONS À CONCEVOIR, PERFORMANCE ET QUALITÉ, ET CE QUI EST IMPORTANT POUR VOUS EST PARAMOUNT POUR NOUS.

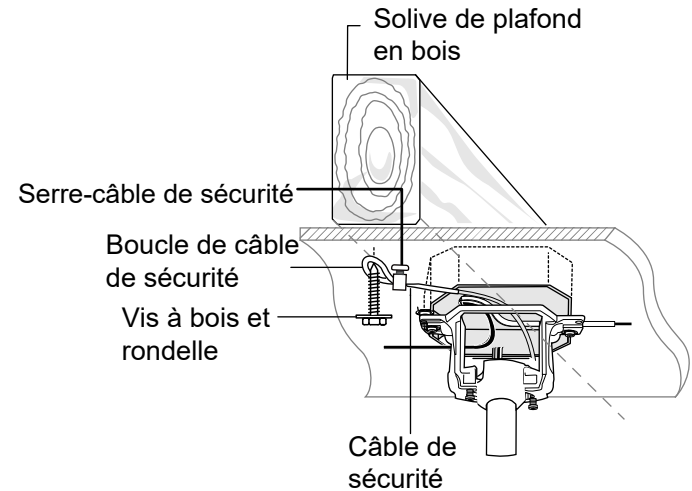
**POUR UN ASSORTIMENT COMPLET DE NOS PRODUITS ET LIVRES DE SOURCE, VISITEZ [HINKLEY.COM](https://www.hinkley.com).**

# HINKLEY

---

## INSTALLATION DE LA SÉCURITÉ SUPPORT DE CÂBLE

Fixez la vis à bois et la rondelle plate à la solive de plafond comme illustré (ne serrez pas complètement). Faites glisser le serre-câble sur le câble de sécurité du ventilateur. Enroulez le câble de sécurité autour de la vis à bois qui vient d'être fixée à la solive de plafond. Insérez l'extrémité du câble dans la pince et tirez le plus de câble possible. Serrez fermement la vis du collier. Coupez l'excédent de câble.



# HINKLEY

## **GLOBAL HEADQUARTERS**

33000 Pin Oak Parkway | Avon Lake, Ohio 44012

T (440) 653 5500 | F (440) 653 5555 | [hinkley.com](http://hinkley.com)