

Verse New Construction Housing

V3_ 1.1



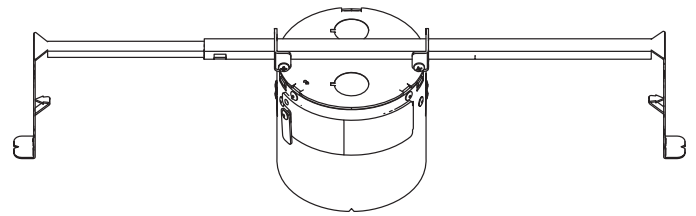
GENERAL PRODUCT INFORMATION:



This product is suitable for indoor locations.

This product can be dimmed with a standard electronic dimmer.

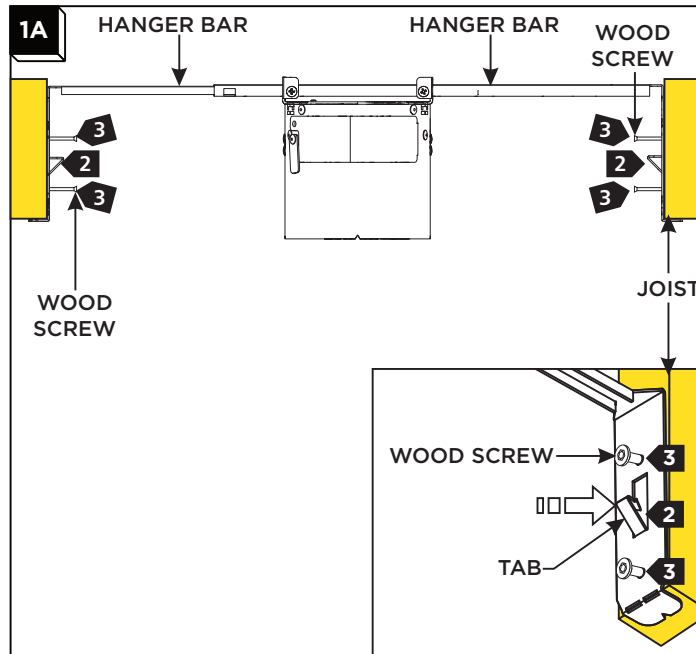
This instruction shows a typical installation.



CAUTION - RISK OF FIRE
 This product must be installed in accordance with the applicable installation code by a person familiar with the construction and operation of the product and the hazards involved.
Use minimum 90°C supply conductors.

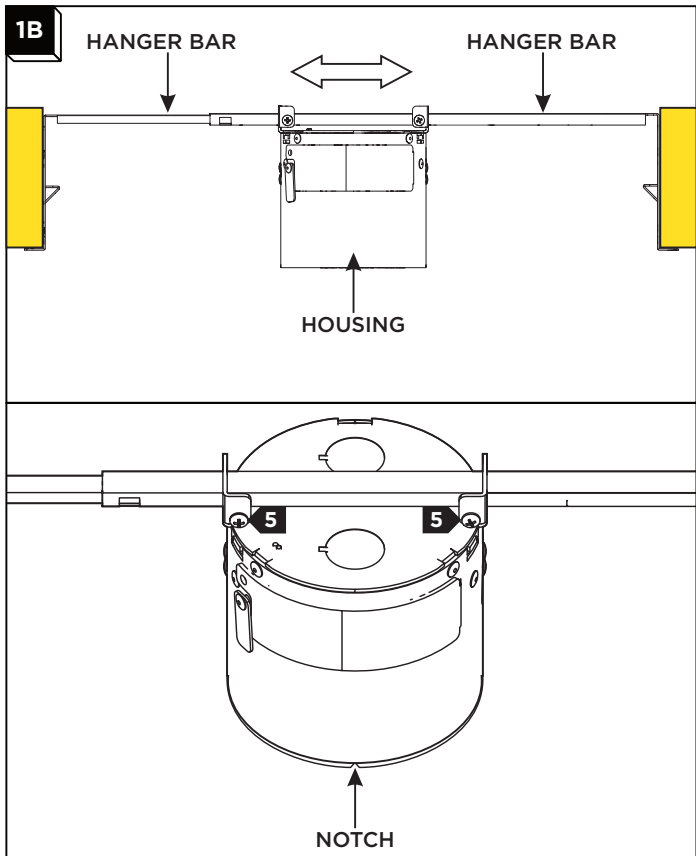
SAVE THESE INSTRUCTIONS!

Install the Housing with Hanger Bars



NOTE: The hanger bar can only be mounted to joists that are spaced 16" apart.

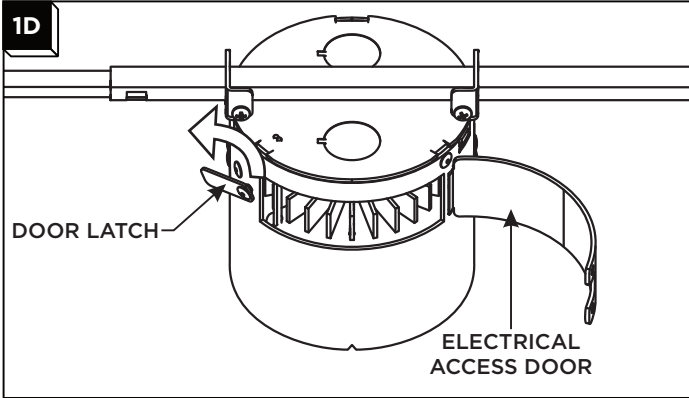
- 1** Align the bottom of the hanger bar end brackets with the bottom of the ceiling joists.
- 2** Level the hanger bar and, with a hammer, tap the mounting tabs completely into the joists to hold them in place.
- 3** Secure the hanger bar to the joists with wood screws.



- 4** Adjust the housing position by sliding it on the hanger bar.
- 5** When the desired location is achieved, tighten the two #6 screws to lock the housing onto the hanger bar.

NOTE: Notches in collar can be used to align multiple housings using a laser or string.

Connect Power to the Housing with Conduit



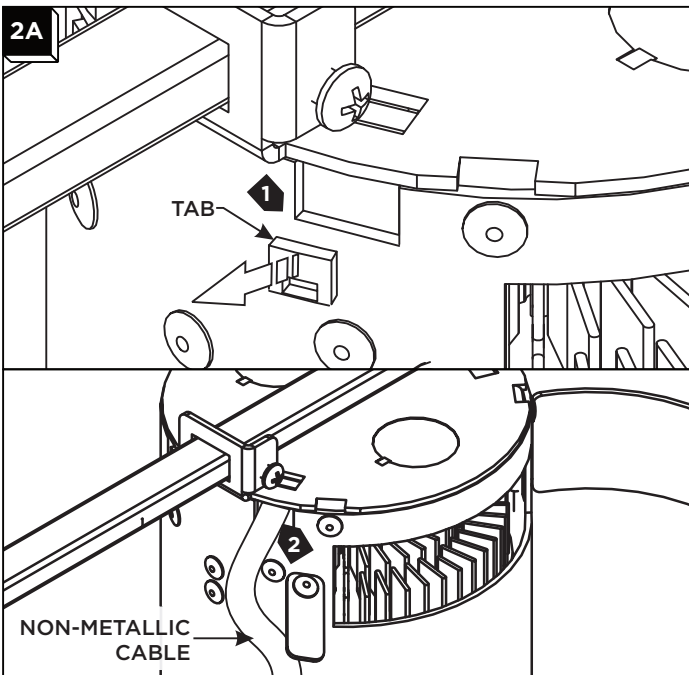
- Swing the door latch upward to allow the electrical access door to open.

Continue to the section suitable with your installation:

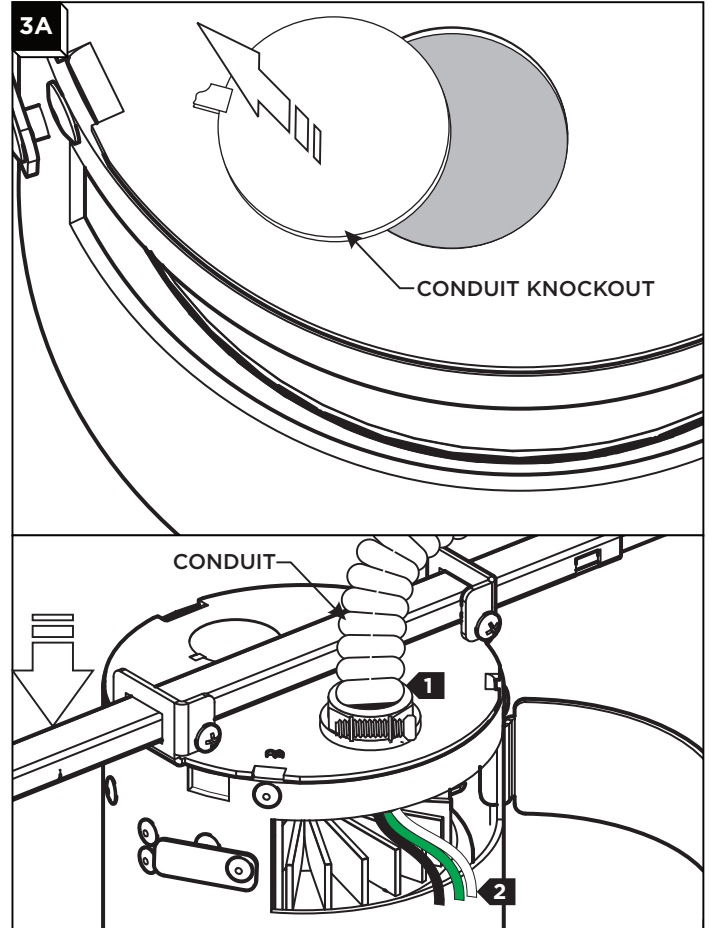
Connect Power to the Housing with A Non-Metallic cable, go to Section 2A.

Connect Power to the Housing with Conduit, go to Section 3A.

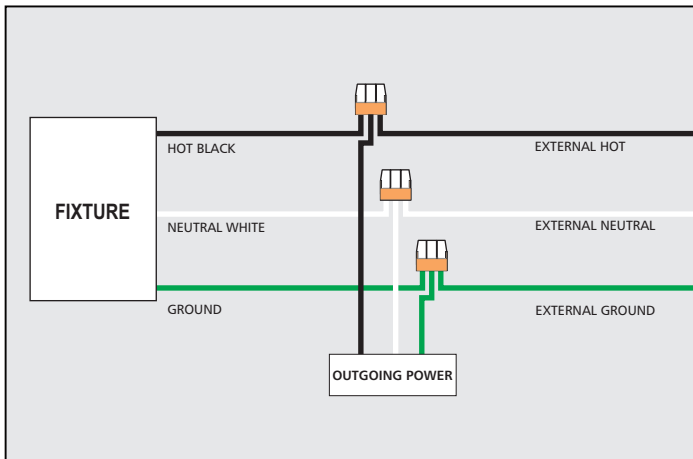
Connect Power with Non-Metallic Cable



- Break off tabs for non-metallic cable openings as needed.
- Push non-metallic cable into openings until there is enough slack inside to comfortably make wiring connections.
- Skip to the wiring diagram on the next page.



- Install the conduit to the housing electrical box.
- Run the power line wires into the housing electrical box.
- Use the following wiring diagram to wire your fixture.



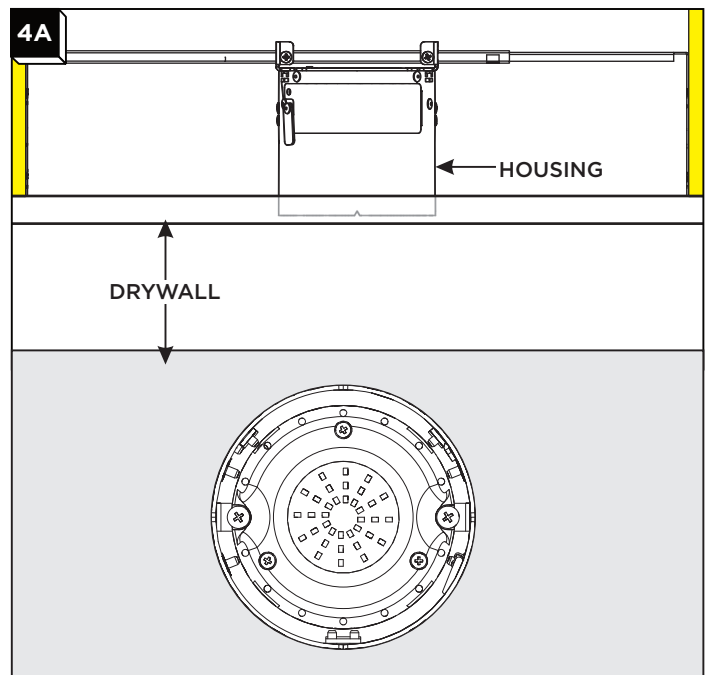
NOTES

Make wiring connections per local codes.

Maximum one incoming and one outgoing 14AWG wire sets are allowed.

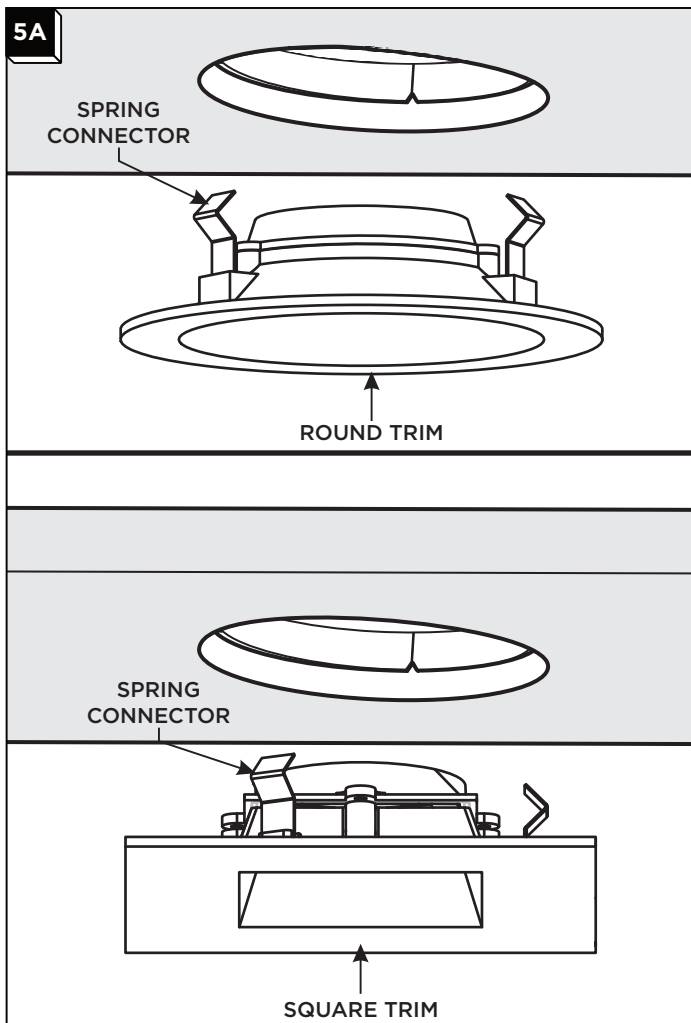
Close electrical access door and latch securely in place.

Install Drywall



- 1** Install drywall onto joists noting the location of the fixtures.
- 2** Use the outer edge of the housing to cut the hole in the drywall.
- 3** The housing will drop partially into the cut hole.

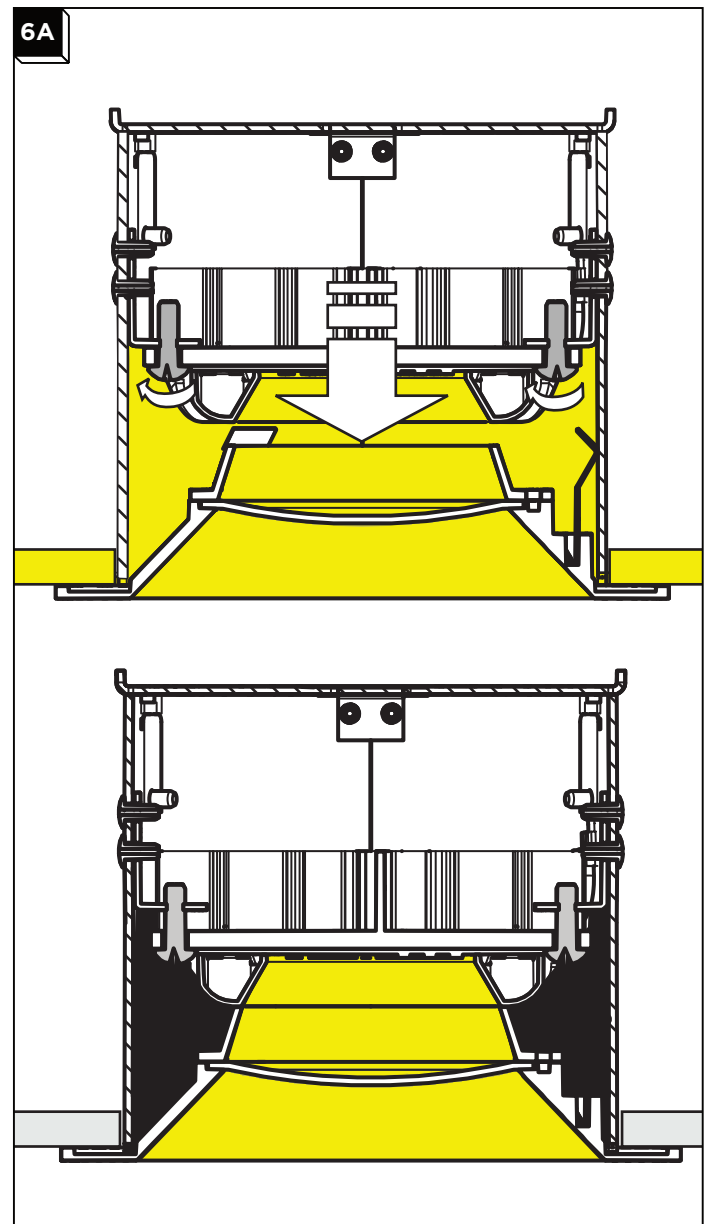
Install the Trim



- 1 Align the trim spring connectors with the inner edge of the housing.
- 2 Gently push the trim into the housing so that all spring connectors snap into place.

NOTE: gently twisting the trim while pushing it upward may help installing them up further into the housing.

Incase of Light Leak (optional)



- 1 If light leak is occurs, lower the position of the LED by loosening the two large Philips screws until it sets flush with the trim.

 **TECH LIGHTING**

7400 Linder Ave., Skokie, IL 60077
T 847.410.4400 | F 847.410.4500
www.techlighting.com