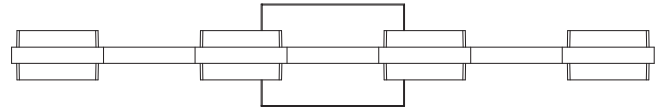


VISUAL COMFORT & Co.

MODERN COLLECTION



GENERAL PRODUCT INFORMATION:

These fixtures are intended to be installed utilizing NEC compliant junction boxes.



This product is suitable for damp locations.

This product may be dimmed with a low-voltage electronic dimmer.

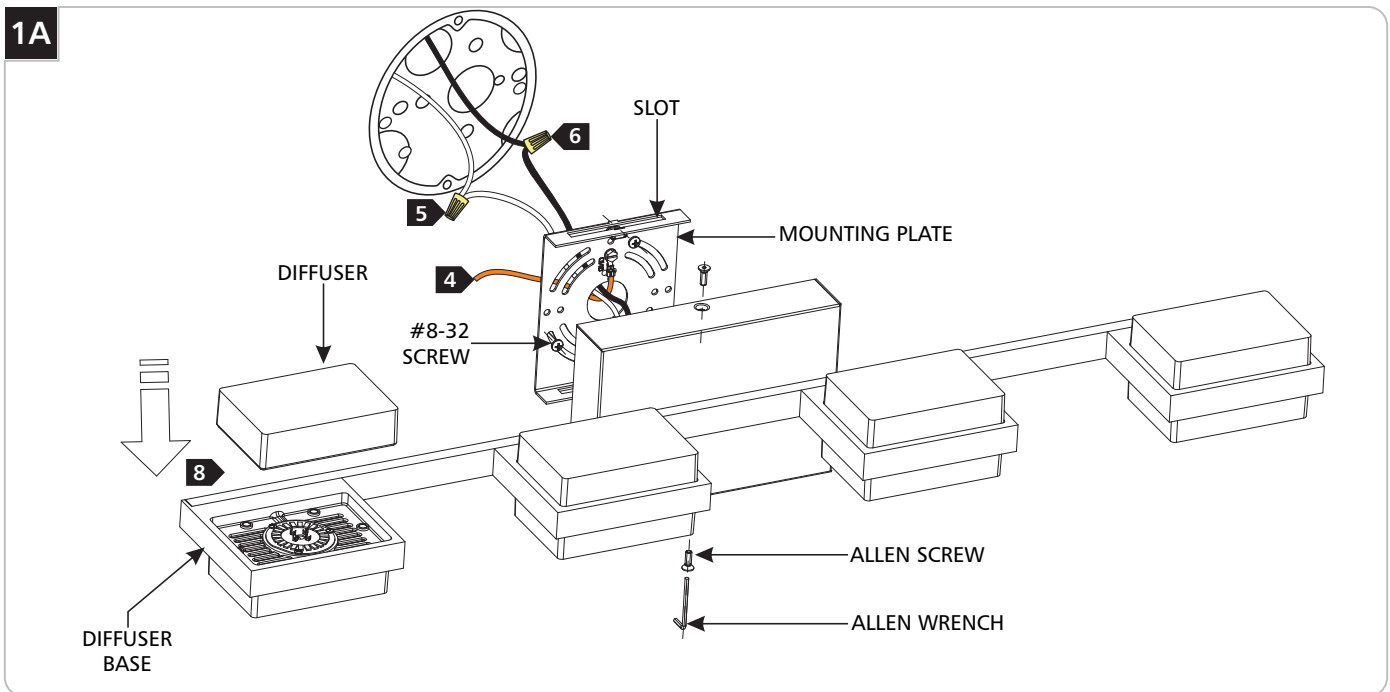
This instruction shows a typical installation.

CAUTION - RISK OF FIRE

This product must be installed in accordance with the applicable installation code by a person familiar with the construction and operation of the product and the hazards involved.

Use minimum 90°C supply conductors.

Install the Fixture



- 1** With the provided Allen wrench, remove the Allen screws on both sides of the fixture base.
- 2** Remove the mounting plate from the back of the fixture.
- 3** Attach the mounting plate to the electrical box using the two provided #8-32 screws.
- 4** Connect the fixture to a suitable ground in accordance with local electrical codes.
- 5** Connect the white driver wire to the neutral power line.
- 6** Connect the black driver wire to the hot power line.
- 7** Properly place the all wires and wire nut connections into the electrical box, then mount the fixture back onto the mounting plate and reinstall Allen screws (reversal of step 1A).
- 8** If necessary, install the diffusers into the diffuser bases which are secured together by magnets.
- 9** **Optional:** This fixture features a slotted mounting plate allowing the fixture to be slid left or right for easier positioning. To achieve this, loosen the Allen screws with the provided Allen wrench, slide the fixture base left or right until the desired position is reached, and re-tighten the Allen screws to secure in place.

SAVE THESE INSTRUCTIONS!

VISUAL COMFORT & CO.

7400 Linder Ave, Skokie, IL 160077

800.969.3347

www.visualcomfort.com

©2023 Visual Comfort & Co.. All rights reserved. The Visual Comfort & Co. logo is a registered trademark of Visual Comfort & Co. Visual Comfort & Co. reserves the right to change specifications for product improvements without notification

VISUAL COMFORT & Co.

MODERN COLLECTION

GENERAL PRODUCT INFORMATION:

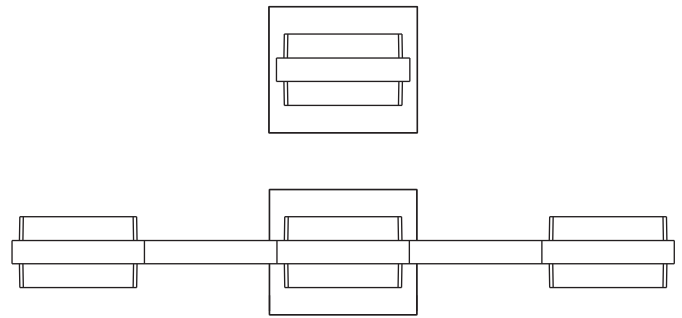
These fixtures are intended to be installed utilizing NEC compliant junction boxes.



This product is suitable for damp locations.

This product may be dimmed with a low-voltage electronic dimmer.

This instruction shows a typical installation.

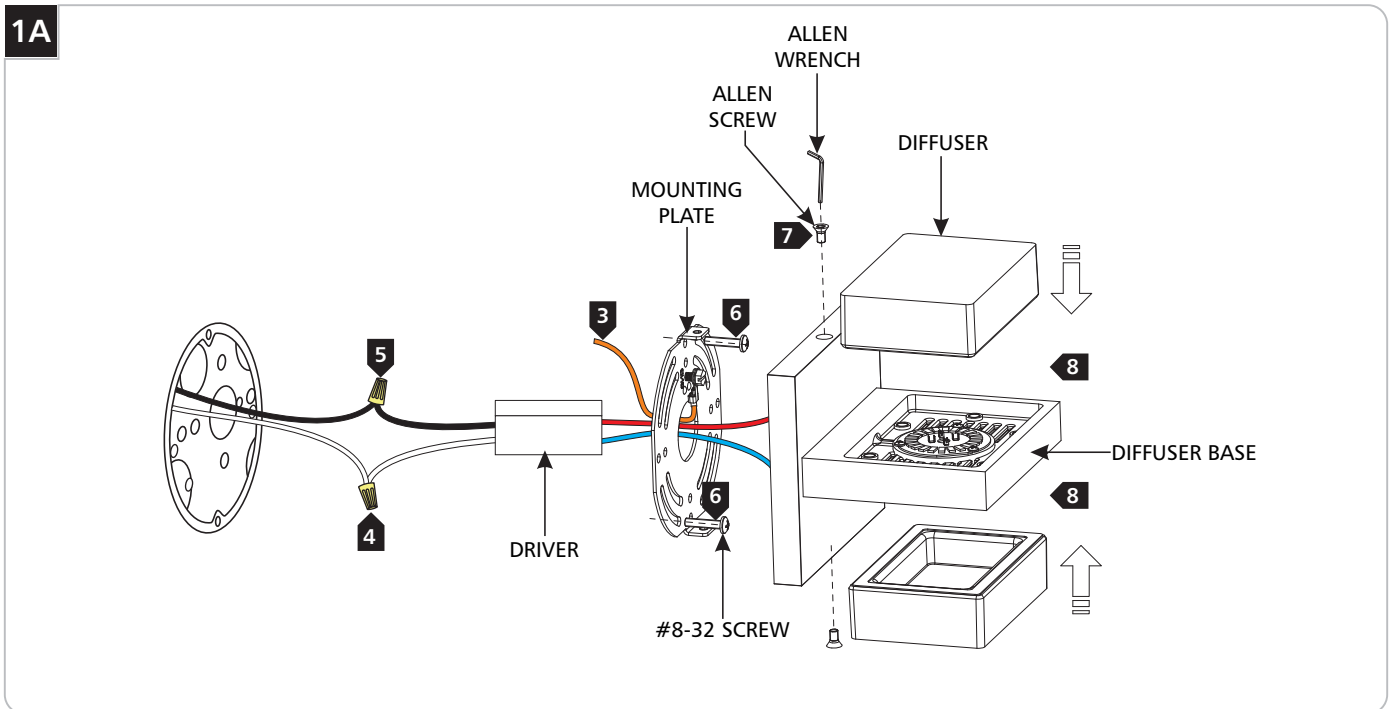


CAUTION - RISK OF FIRE

This product must be installed in accordance with the applicable installation code by a person familiar with the construction and operation of the product and the hazards involved.

Use minimum 90°C supply conductors.

Install the Fixture



- 1 With the provided Allen wrench, remove the Allen screws on both sides of the fixture base.
- 2 Remove the mounting plate from the back of the fixture.
- 3 Connect the fixture to a suitable ground in accordance with local electrical codes.
- 4 Connect the white driver wire to the neutral power line.
- 5 Connect the black driver wire to the hot power line.
- 6 Properly place the driver, all wires, and wire nut connections into the electrical box, and attach the mounting plate to the electrical box using the two provided #8-32 screws.
- 7 Mount the fixture back onto the mounting plate and reinstall Allen screws (reversal of step 1A).
- 8 If necessary, install the diffusers into the diffuser bases which are secured together by magnets.

SAVE THESE INSTRUCTIONS!

VISUAL COMFORT & CO.

7400 Linder Ave, Skokie, IL 160077

800.969.3347

www.visualcomfort.com

©2023 Visual Comfort & Co.. All rights reserved. The Visual Comfort & Co. logo is a registered trademark of Visual Comfort & Co. Visual Comfort & Co. reserves the right to change specifications for product improvements without notification