

# Oko 1 Light Bath

700BCOKO1

1.0

VISUAL COMFORT & Co.

MODERN COLLECTION

## GENERAL PRODUCT INFORMATION:

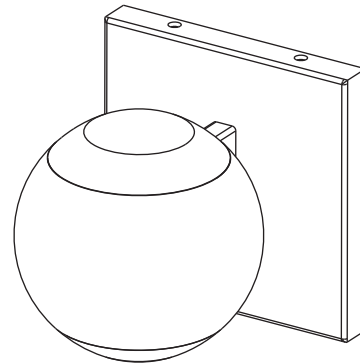
These fixtures are intended to be installed utilizing NEC compliant junction boxes.



This product is suitable for damp locations.

This product may be dimmed with a low-voltage electronic dimmer.

This instruction shows a typical installation.

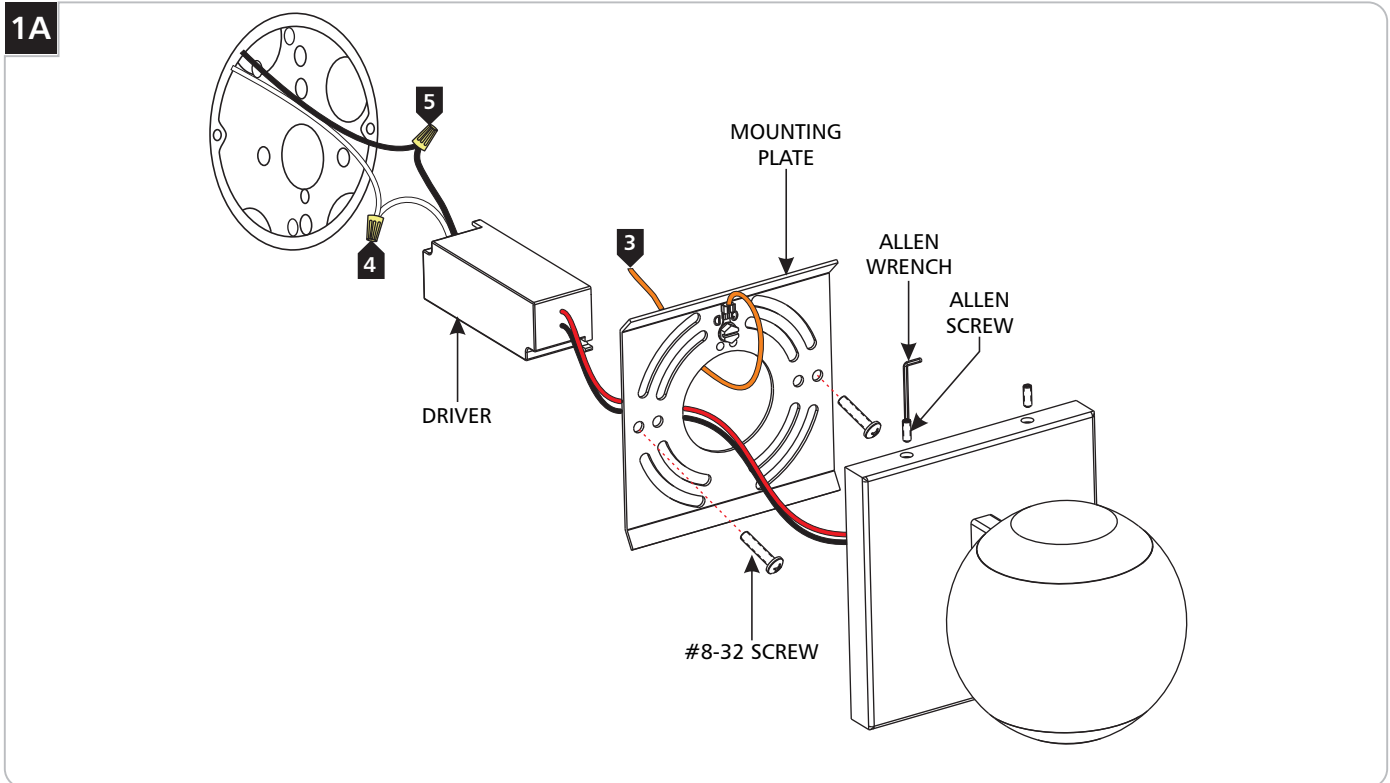


### CAUTION - RISK OF FIRE

This product must be installed in accordance with the applicable installation code by a person familiar with the construction and operation of the product and the hazards involved.

Use minimum 90°C supply conductors.

## Install the Fixture



- 1 With the provided Allen wrench, loosen (do not remove) the set screws on top of the fixture base.
- 2 Remove the mounting plate from the back of the fixture.
- 3 Connect the fixture to a suitable ground in accordance with local electrical codes.
- 4 Connect the white driver wire to the neutral power line.
- 5 Connect the black driver wire to the hot power line.
- 6 Properly place the driver, all wires, and wire nut connections into the electrical box, and attach the mounting plate to the electrical box using the two provided #8-32 screws.
- 7 Mount the fixture back onto the mounting plate and reinstall set screws (reversal of step 1A).

**SAVE THESE INSTRUCTIONS!**

VISUAL COMFORT & CO.

7400 Linder Ave, Skokie, IL 160077

800.969.3347

**[www.visualcomfort.com](http://www.visualcomfort.com)**

©2023 Visual Comfort & Co.. All rights reserved. The Visual Comfort & Co. logo is a registered trademark of Visual Comfort & Co. Visual Comfort & Co. reserves the right to change specifications for product improvements without notification