

# Solace

700BCSLC\_

1.2

## VISUAL COMFORT & Co.

MODERN COLLECTION

### GENERAL PRODUCT INFORMATION:



This product can mount to either a 4" square electrical box with round plaster ring or an octagon electrical box.

This product is suitable for damp locations.

This product is dimmable with a standard incandescent dimmer.

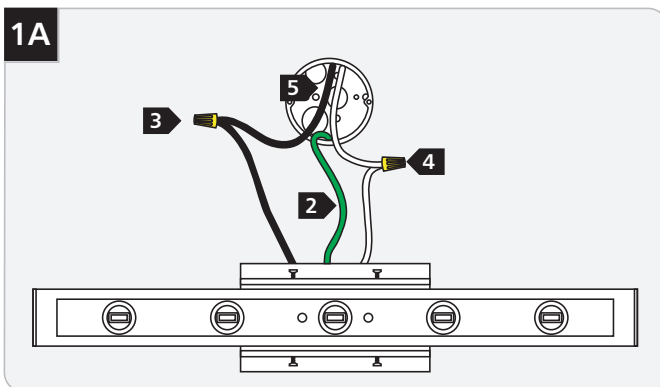
This product can be mounted horizontally or vertically.



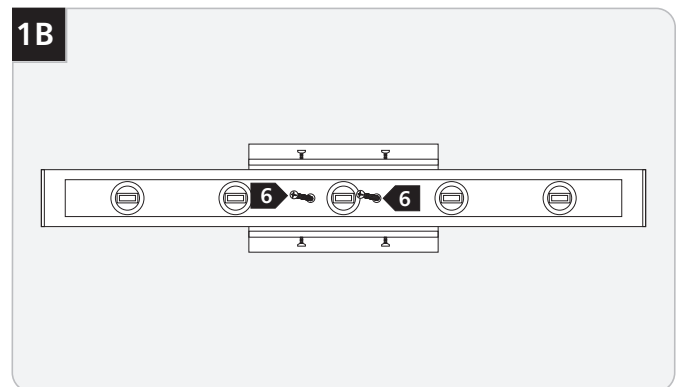
#### CAUTION—RISK OF FIRE

This product requires installation by a qualified electrician. Before installing be sure to read all instructions and **TURN THE POWER TO THE ELECTRICAL BOX OFF.**

## Install the Fixture



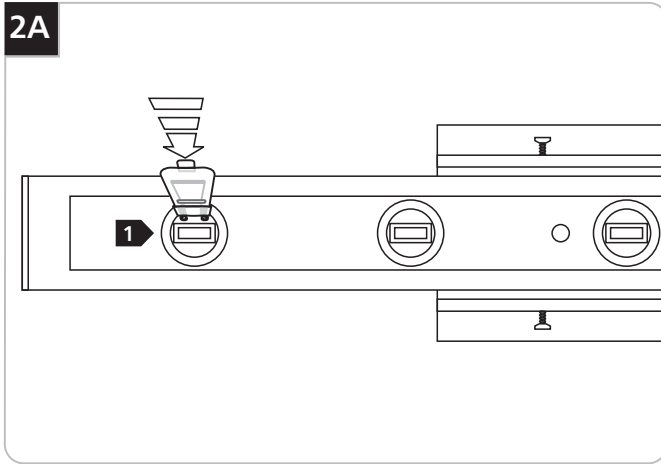
- 1 Turn the power to the electrical box off.
- 2 Make sure that the fixture is grounded in accordance with local electrical codes.
- 3 Connect the black fixture wire to the hot power line wire with a wire nut.
- 4 Connect the white fixture wire to the neutral power line wire with a wire nut.
- 5 Properly place all wires into the electrical box.

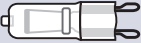


- 6 Secure the backplate to the electrical box with the two long #8-32 screws provided.

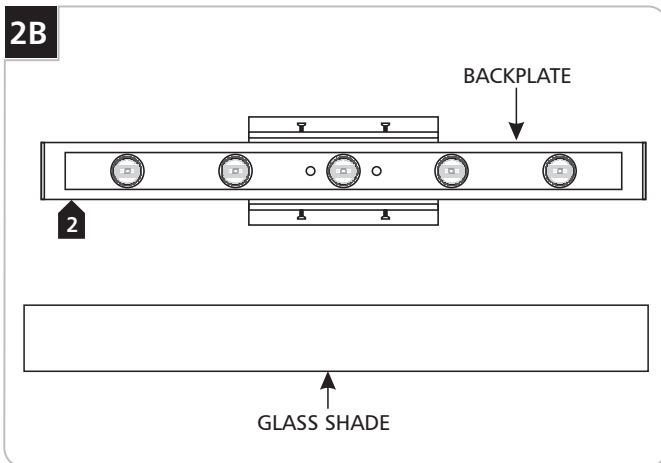
**NOTE:** Use the provided universal round crossbar when the fixture holes do not line up with the electrical box holes.

## Install the Lamp & Shade

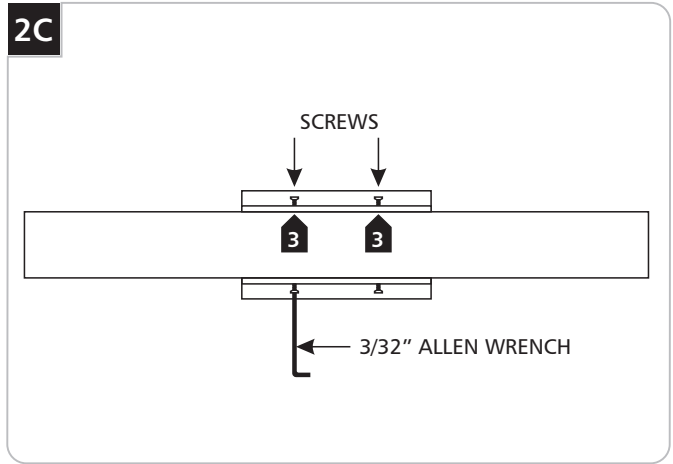


Use **MAX** 120 Volt, **40 Watt** G9 type, G9 base Halogen lamp with each socket. 

**1** Push each lamp completely into its socket.



**2** Place the glass shade onto the backplate.



**3** Tighten the four screws on both sides of the backplate with a 3/32" Allen wrench.

**SAVE THESE INSTRUCTIONS!**

VISUAL COMFORT & CO.

7400 Linder Ave, Skokie, IL 160077

800.969.3347

[www.visualcomfort.com](http://www.visualcomfort.com)

©2023 Visual Comfort & Co.. All rights reserved. The Visual Comfort & Co. logo is a registered trademark of Visual Comfort & Co. Visual Comfort & Co. reserves the right to change specifications for product improvements without notification