

Crosby Large 9 & Medium 6 Chandelier

700CRBY_

1.0

VISUAL COMFORT & Co.

MODERN COLLECTION

GENERAL PRODUCT INFORMATION:



This product is suitable for indoor locations.

This product can be dimmed with a standard electronic dimmer.

This instruction shows a typical installation.

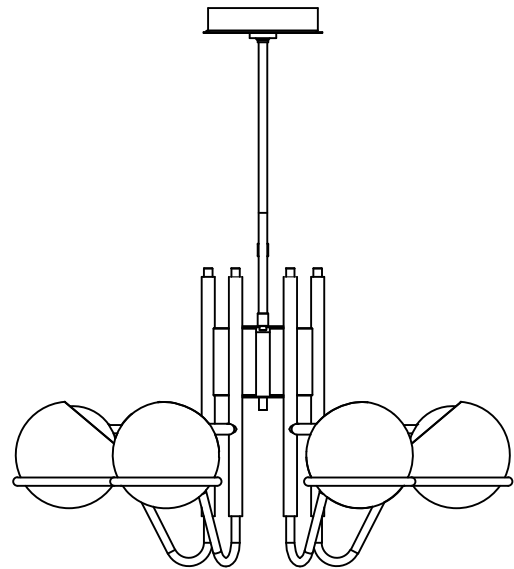
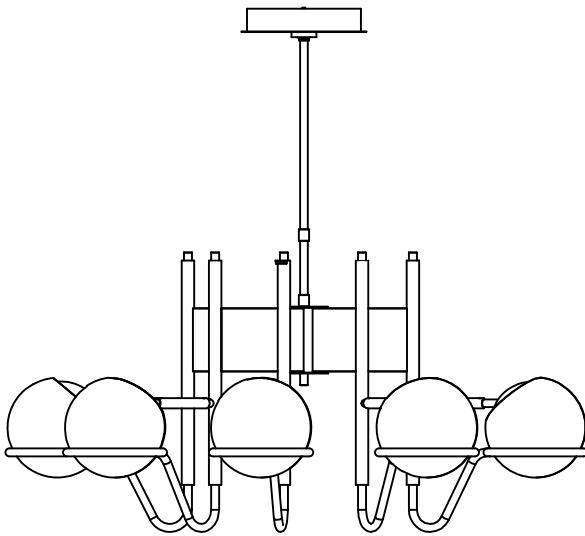
CAUTION - RISK OF FIRE

This product must be installed in accordance with the applicable installation code by a person familiar with the construction and operation of the product and the hazards involved.

Use minimum 90°C supply conductors.

2 PERSON INSTALL

SAVE THESE INSTRUCTIONS!



VISUAL COMFORT & Co.

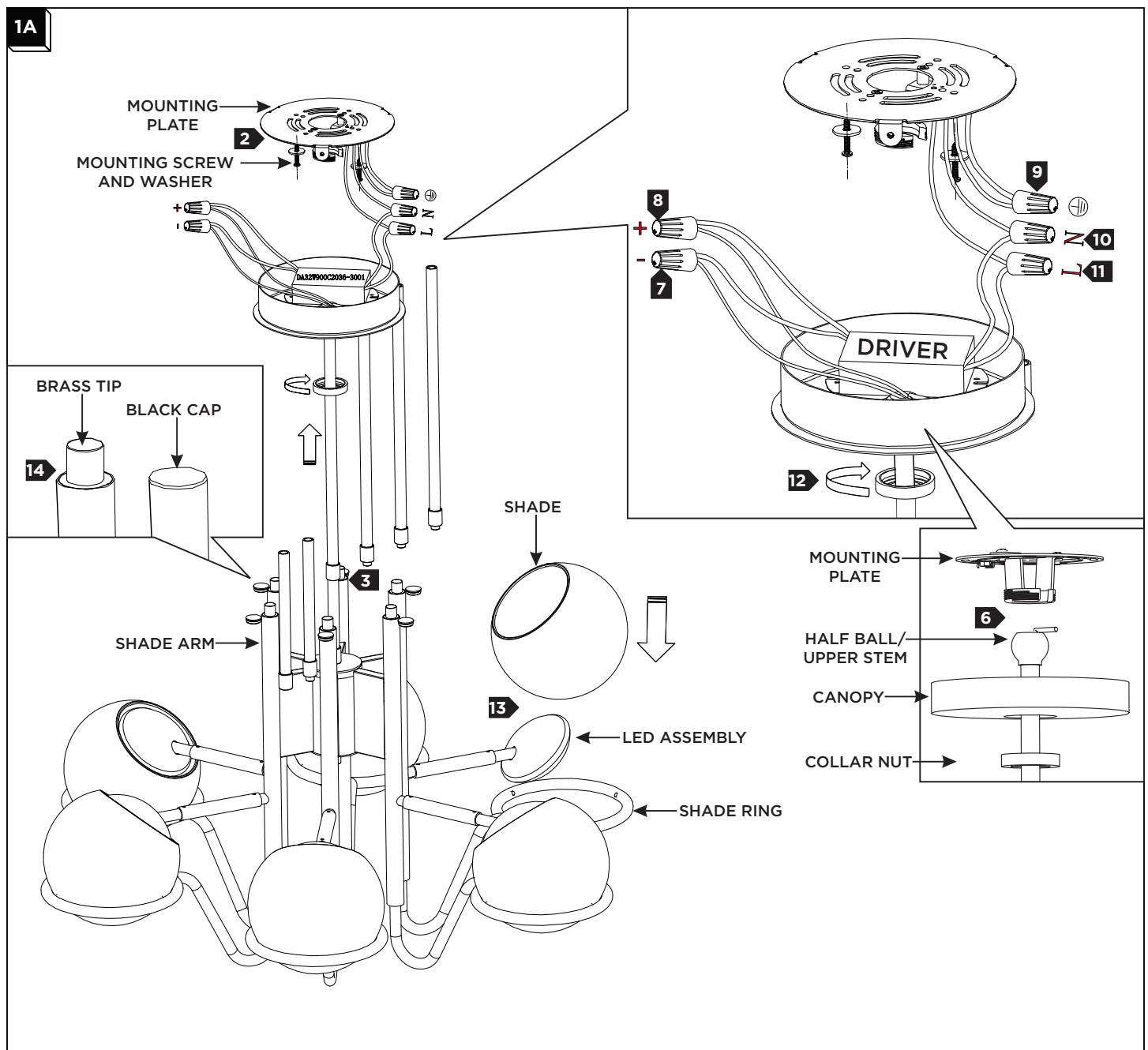
7400 Linder Ave., Skokie, IL 60077

T 847.410.4400 | F

847.410.4500

www.visualcomfort.com

Install the Fixture



- 1** Remove the mounting plate and driver from the canopy.
- 2** Secure the mounting plate to ceiling. **CAUTION: mounting screws must be screwed into a solid structure capable of supporting the fixtures weight.**
- 3** Determine the desired height of the fixture using the provided stems and half ball/upper stem and assemble them by screwing them together.
- 4** Slide the canopy, then the collar nut onto the half ball/stem assembly.
- 5** Feed the fixture wires through the stem assembly, then screw the stem assembly to the top of the fixture base.
- 6** Seat the half ball into the mounting plate ensuring no wires are being pinched.
- 7** Connect the negative (-) fixture wire to the negative (-) output driver wire with a wire nut.
- 8** Connect the positive (+) fixture wire to the positive (+) output driver wire with a wire nut.
- 9** Connect the fixture to a suitable ground in accordance with local electrical codes.
- 10** Connect the white input driver wire to the neutral power line wire with a wire nut.
- 11** Connect the black input driver wire to the hot power line wire with a wire nut.
- 12** Neatly place the driver, wire, and wire nut connections inside the canopy/electrical box, then slide the canopy up over the mounting plate and secure in place with the collar nut.
- 13** Install the shades onto the LED assemblies and place them securely in the shade ring.
- 14** The brass tip on top of the shade arms may be replaced with the black caps if desired.