

VISUAL COMFORT & Co.

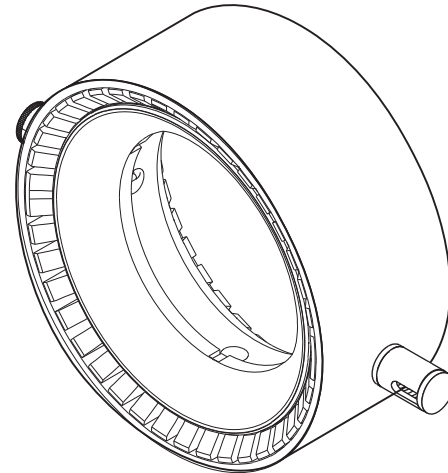
MODERN COLLECTION

GENERAL PRODUCT INFORMATION:

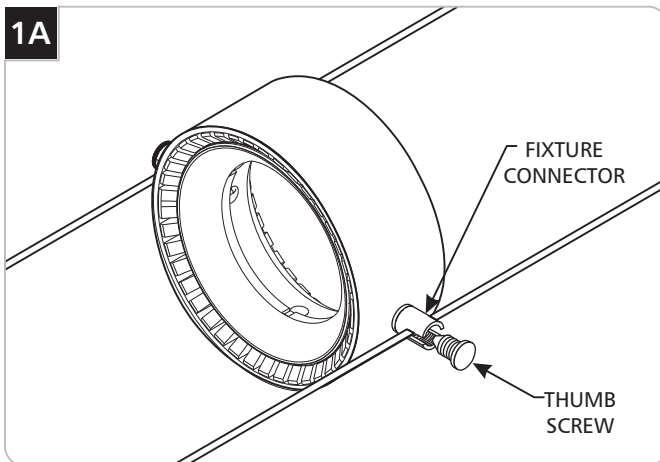


This product is suitable for indoor dry locations only.

This product should be used with Tech Lighting Kable Lite system only.



Installing the Fixture



- 1** Remove the thumb screw from the fixture connectors.
- 2** Place the fixture between the Kables and push the fixture connectors onto the Kable Lite cables.
- 3** Screw the thumb screws into the fixture connectors. Make sure the thumb screw connection is tight to avoid heat build up and corrosion which may cause an electrical open circuit.

SAVE THESE INSTRUCTIONS!

VISUAL COMFORT & Co.
 7400 Linder Ave, Skokie, IL 160077
 800.969.3347

www.visualcomfort.com

©2023 Visual Comfort & Co.. All rights reserved. The Visual Comfort & Co. logo is a registered trademark of Visual Comfort & Co. Visual Comfort & Co. reserves the right to change specifications for product improvements without notification