

Gambit Chandelier

700GMB_

1.5



CAUTION - RISK OF FIRE
 This product must be installed in accordance with the applicable installation code by a person familiar with the construction and operation of the product and the hazards involved.
 Use minimum 90°c supply conductors.

Two Person Installation Recommended

GENERAL PRODUCT INFORMATION:



These fixtures are intended to be installed utilizing NEC compliant junction boxes.

Incandescent version may be dimmed with a standard incandescent dimmer. LED version may be dimmed with a LED dimmer. Consult lamp manufacturer for additional information.

This product is suitable for damp locations.

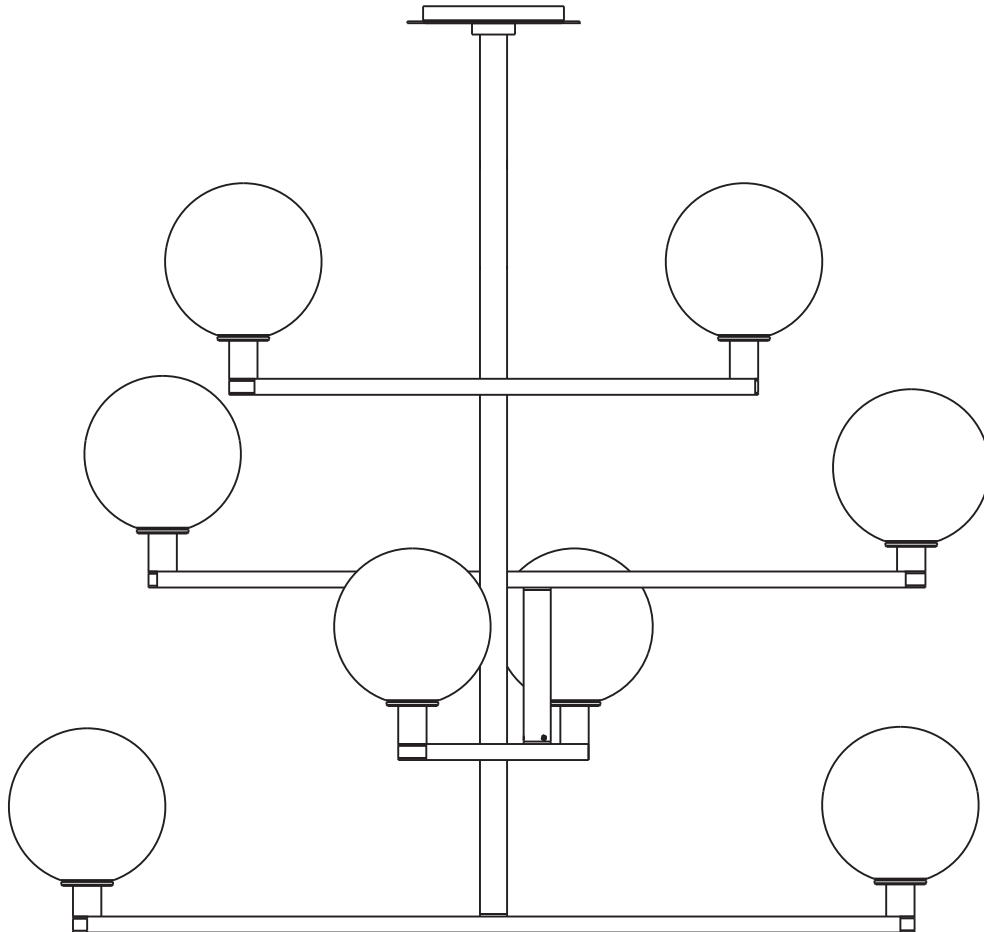
This instruction shows a typical installation.



7400 Linder Ave, Skokie, IL 60077
847.410.4400

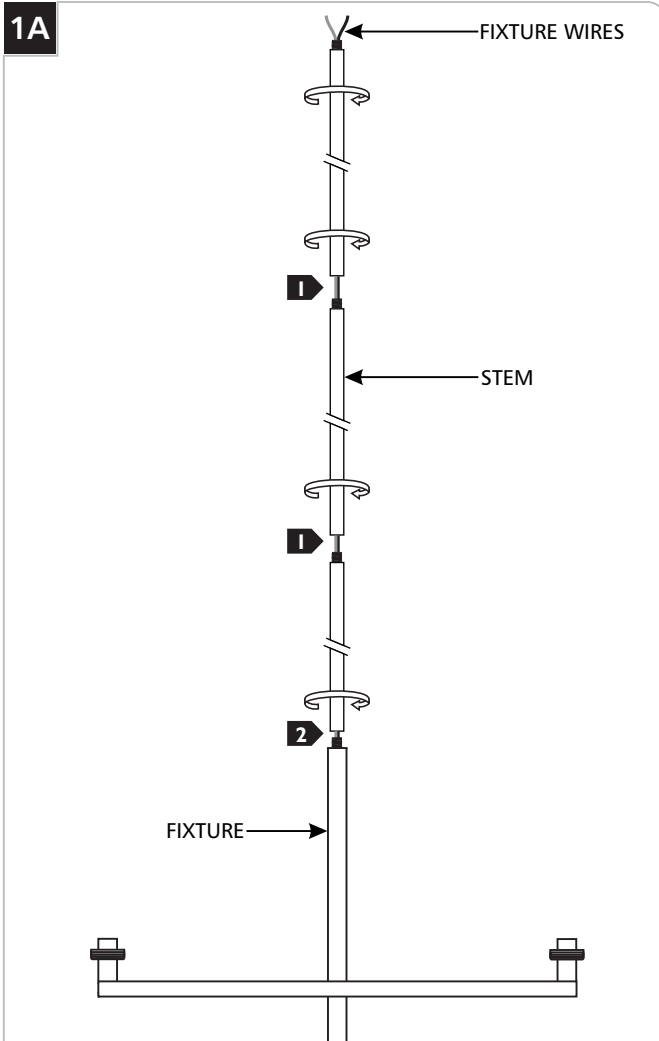
www.techlighting.com

© 2019 Tech Lighting, L.L.C. All rights reserved. The "Tech Lighting" graphic is a registered trademark of Tech Lighting, L.L.C. Tech Lighting reserves the right to change specifications for product improvements without notification.
A Generation Brands Company

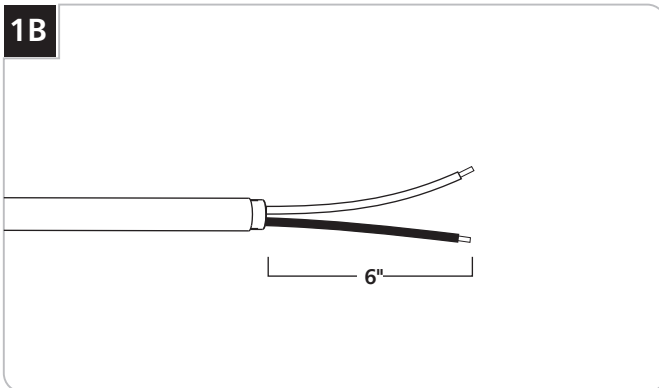


SAVE THESE INSTRUCTIONS!

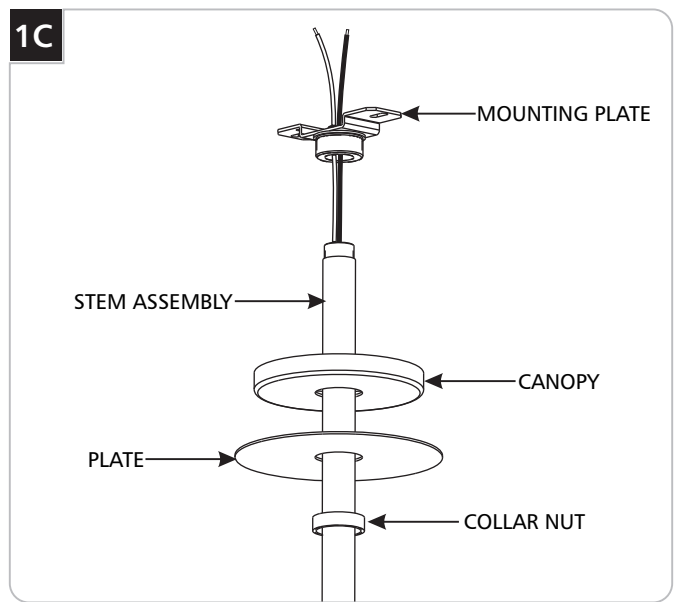
Install the Fixture



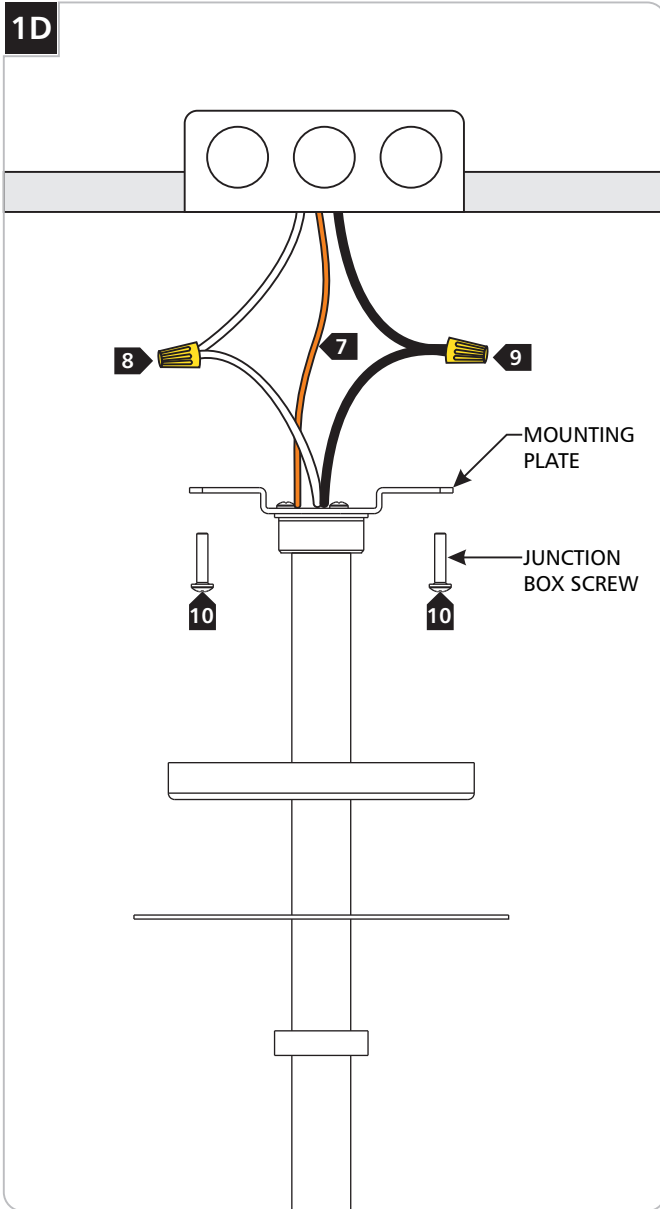
- 1 Determine desired length of fixture using the provided stems and assemble them by screwing them together.
- 2 Feed the fixture wires through the stem assembly and screw it to the fixture.



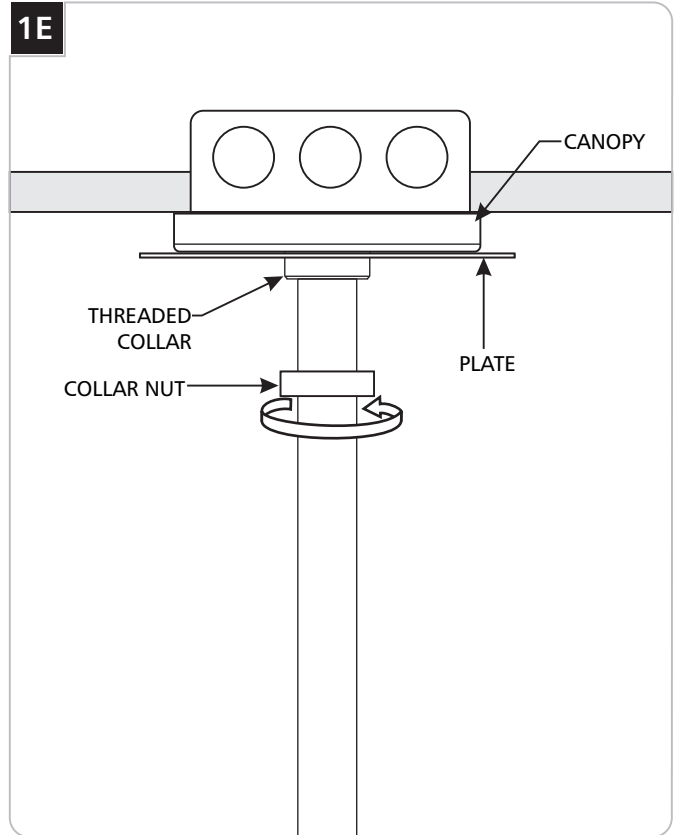
- 3 Leave 6" of the wires behind the canopy for power connections. Cut the excess wire.
- 4 Strip the end of the wires.



- 5 Feed the fixtures wires through the collar nut, plate, and canopy (in that order), then carefully slide them down the stem assembly. **NOTE: Use caution when sliding the collar nut and/or canopy up and down the stem as it can become scratched.**
- 6 Feed the fixture wires through the mounting plate, then screw the mounting plate onto the stem assembly.



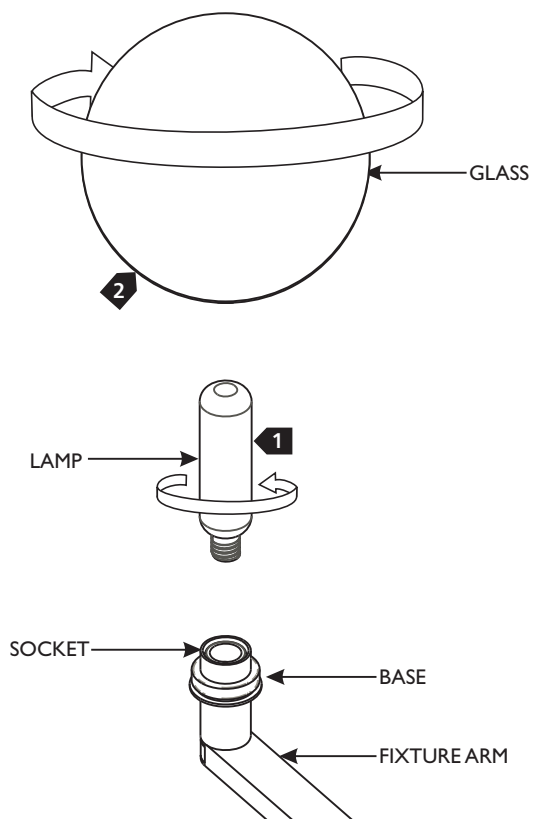
- 7** Connect the fixture to a suitable ground in accordance with local electrical codes.
- 8** Connect the white fixture wire to the neutral power line wire with a wire nut.
- 9** Connect the black fixture wire to the hot power line wire with a wire nut.
- 10** Secure the mounting plate to the junction box using the provided junction box screws.



- 11** Neatly place all wires and wire nut connections inside the canopy.
- 12** Place the canopy onto the mounting plate and secure it in place by screwing the collar nut onto the threaded collar.

Install the Lamps and Glass

2A



CAUTION: To reduce the risk of a burn or electric shock during re-lamping, disconnect the power to the fixture.

Refer to fixture marking for lamp information.

- 1 Screw the lamps into the sockets.
- 2 Install the glass by gently screwing them onto the bases on the fixture arms. **Do not over-tighten.**