

Sottile Pendant

700TDSOT_ 1.0

VISUAL COMFORT & Co.

MODERN COLLECTION

GENERAL PRODUCT INFORMATION:

These fixtures are intended to be installed utilizing NEC compliant junction boxes.



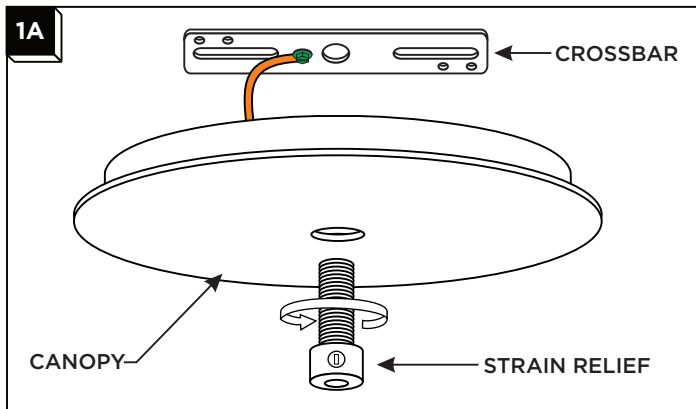
This product is suitable for damp locations.

For dimming info, please see pendant spec sheet at: www.techlighting.com.

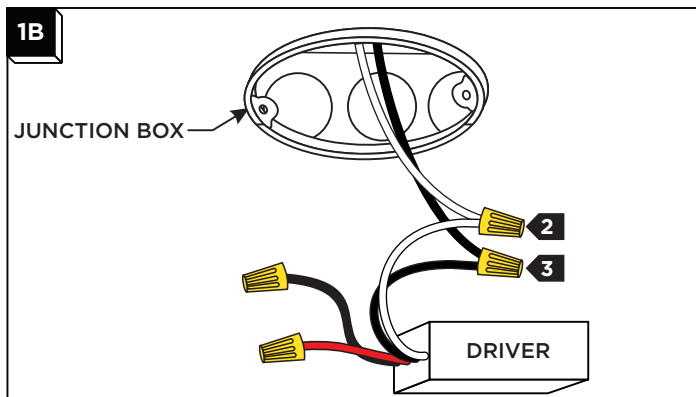
This instruction shows a typical installation.

SAVE THESE INSTRUCTIONS!

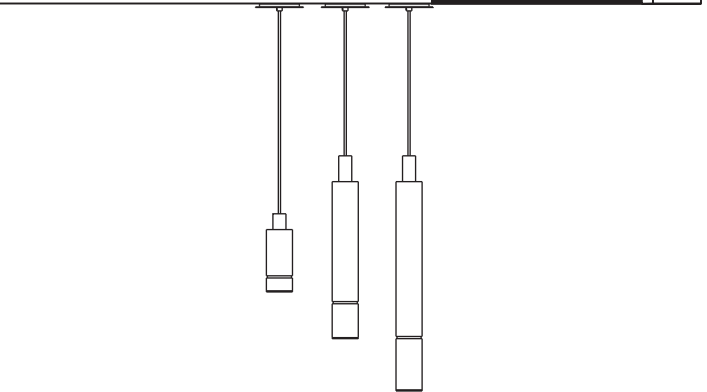
Preparing the Canopy



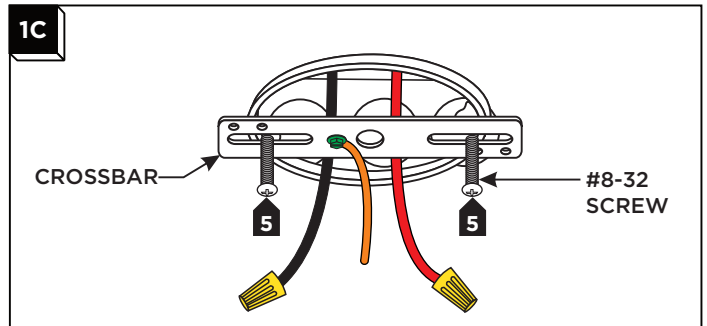
1 Remove the crossbar from the canopy by completely unscrewing the strain relief.



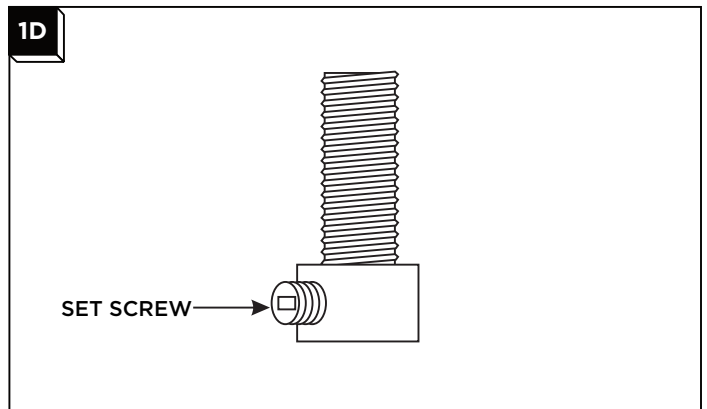
- 2** Connect the white input driver wire to the neutral power line wire with a wire nut.
- 3** Connect the black driver input wire to the hot power line wire with a wire nut.
- 4** Place the driver and wire connections inside the junction box.



CAUTION - RISK OF FIRE
 This product must be installed in accordance with the applicable installation code by a person familiar with the construction and operation of the product and the hazards involved.
Use minimum 90°C supply conductors.



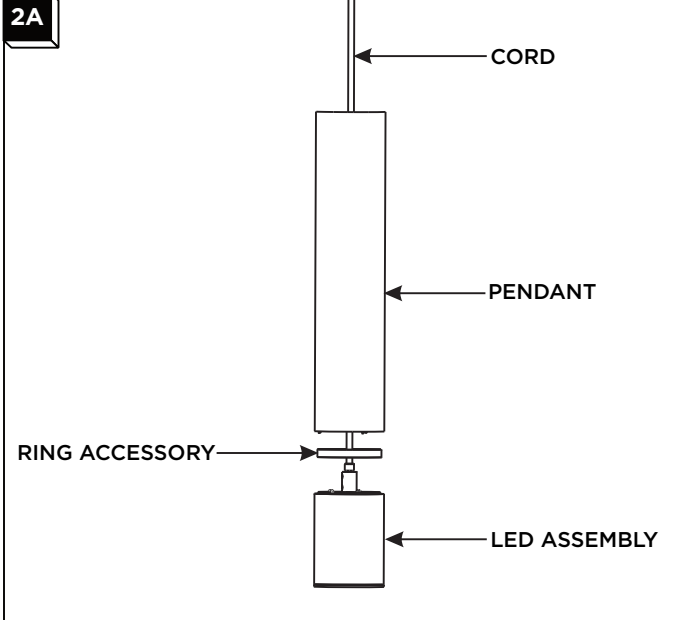
5 Mount the crossbar assembly to the junction box with the two provided #8-32 screws.



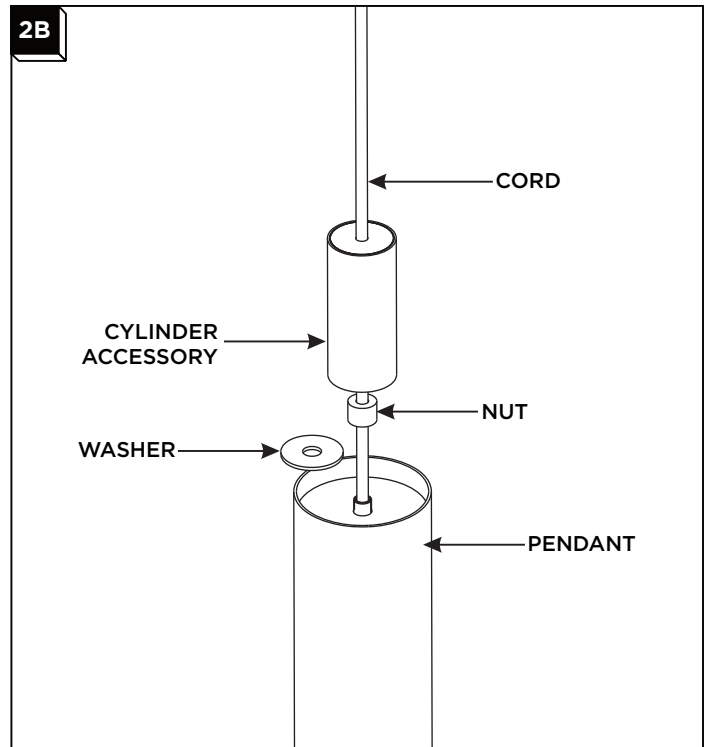
6 Loosen (Do Not Remove) the set screw on the strain relief.

Install the Accessories (Optional)

NOTE: If not installing any accessories, skip to section 3A.

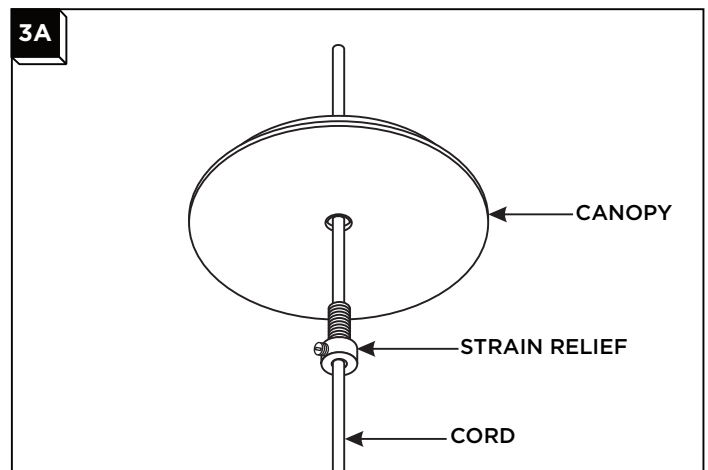


- 1 If using the ring accessory, feed the cord through the ring accessory and the pendant.
- 2 Screw the ring accessory onto the socket assembly until secure.
- 3 If installing the cylinder accessory, continue to section 2B. If not installing the cylinder accessory, skip to section 3A.



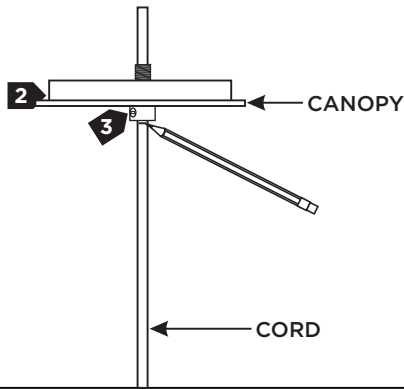
- 4 If using the cylinder accessory, the washer must be used. The washer must be removed if the cylinder accessory is not in use. Unscrew and remove the nut from the top of the pendant.
- 5 Slide the washer and nut onto the cord and secure them by re-tightening the nut on top of the pendant.
- 6 Feed the cord through the cylinder accessory and slide it onto the top of the pendant until it is seated properly.

Install the Fixture



- 1 Feed the cord through the primary strain relief and the canopy.

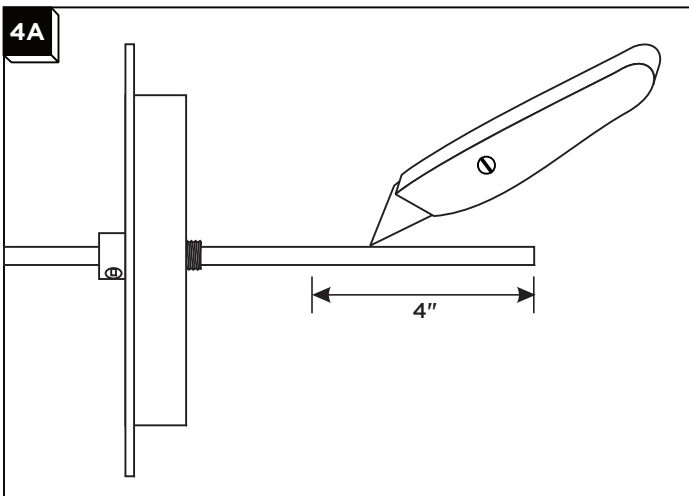
3B



- 2 Adjust the fixture height (from bottom of the fixture shade to top of the canopy) by moving the canopy and strain relief up or down.
- 3 When the desired height is achieved, tighten the set screw on the strain relief.
- 4 Mark the cord underneath the strain relief.

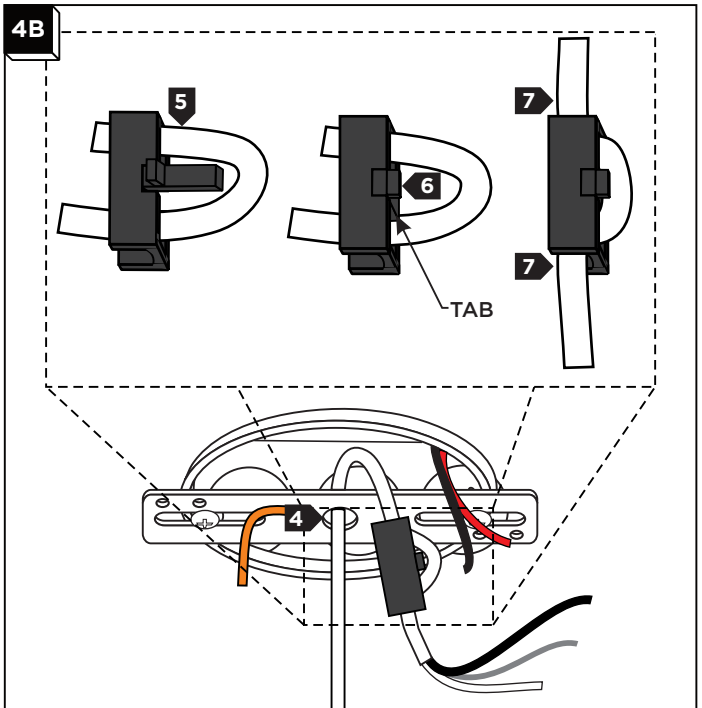
Install the Canopy

4A



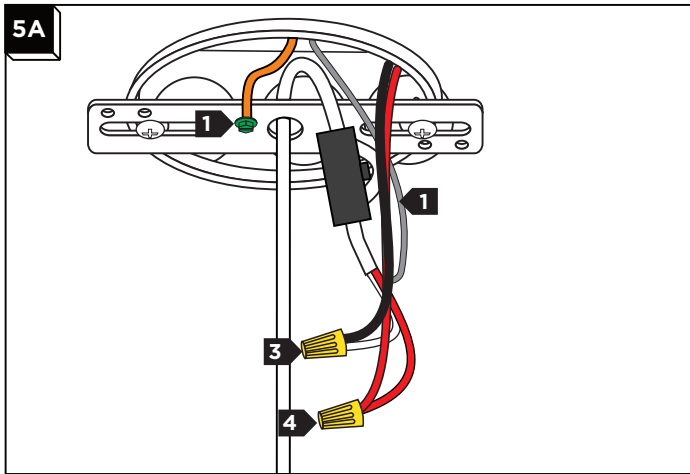
- 1 Leave 6" of the cord behind the canopy for power connections. Cut the excess cord.
- 2 From the end of the cord, strip the insulation 4" using a sharp knife. Make sure not to nick the inner wires.
- 3 Strip the end of the wires.

4B



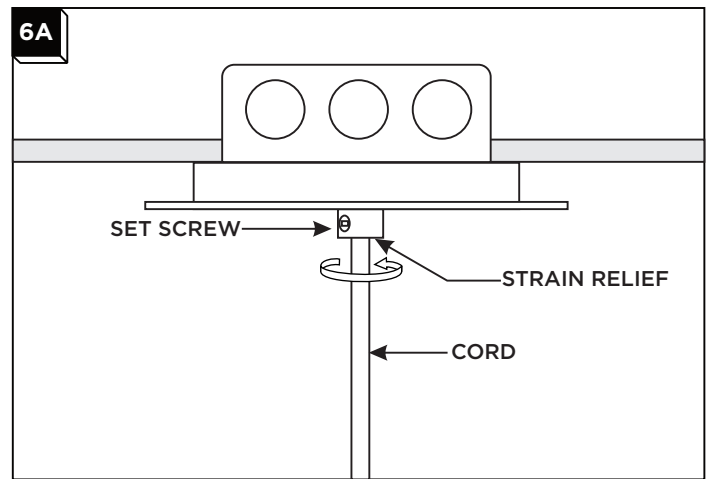
- 4 Feed the fixture wires through the crossbar center hole and then pull them out of the junction box.
- 5 Install the secondary strain relief by first feeding the power cord through it.
- 6 Snap the strain relief tab into place.
- 7 Pull the cord to take up the slack and fit the rest of the cord in the strain relief's openings.

Connect the Power (LED)



- 1 Connect the fixture and the crossbar ground wire to a suitable ground in accordance with local electrical codes.
- 2 Connect the white driver wire to the black fixture wire with a wire nut.
- 3 Connect the red driver wire to the red fixture wire with a wire nut.

Complete Installation



NOTE: It is recommended that one person hold the fixture while the electrician finishes the installation.

- 1 Place all wires, wire nut connections, and the secondary strain relief properly inside the canopy/junction box.
- 2 Loosen the set screw on the primary strain relief.
- 3 Align the canopy center hole with the crossbar center hole.
- 4 Slide the canopy up against the ceiling and secure it in place by tightening the primary strain relief into the crossbar. **Do not turn the cord.**
- 5 Push the cord into the canopy and line up the marked point on the cord with bottom of the primary strain relief.
- 6 Tighten the plastic set screw to secure the cord.