

# Spectica Small Task Sconce

SLTS14330 | 1.0

## VISUAL COMFORT & Co.

MODERN COLLECTION

### GENERAL PRODUCT INFORMATION:

These fixtures are intended to be installed utilizing NEC compliant junction boxes.

**Use approximate 2x4 single gang junction box or provided universal mounting/goof plate to completely cover the junction box.**

This product is safety listed for damp locations.

Incandescent version may be dimmed with a standard incandescent dimmer.

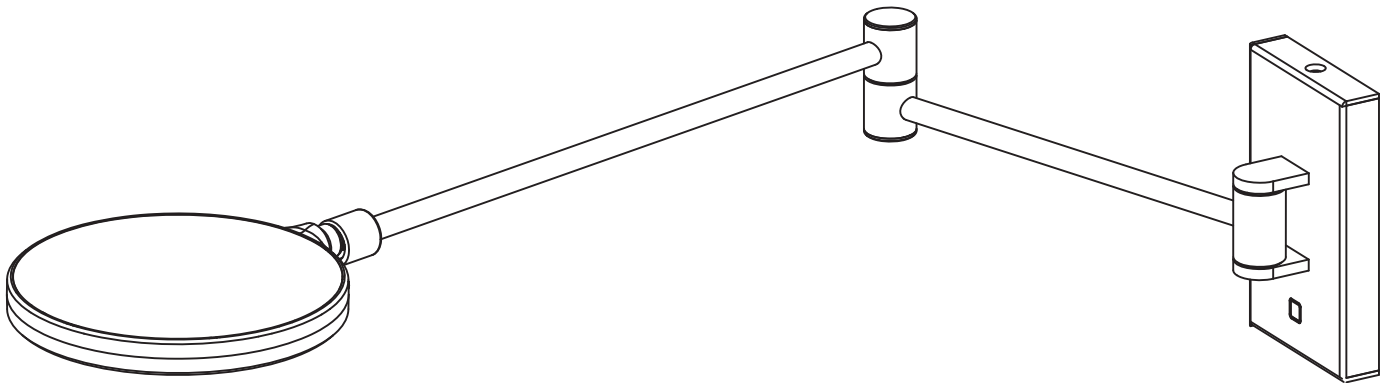
LED version may be dimmed with a LED dimmer. Consult lamp manufacturer for additional information.

This instruction shows a typical installation.

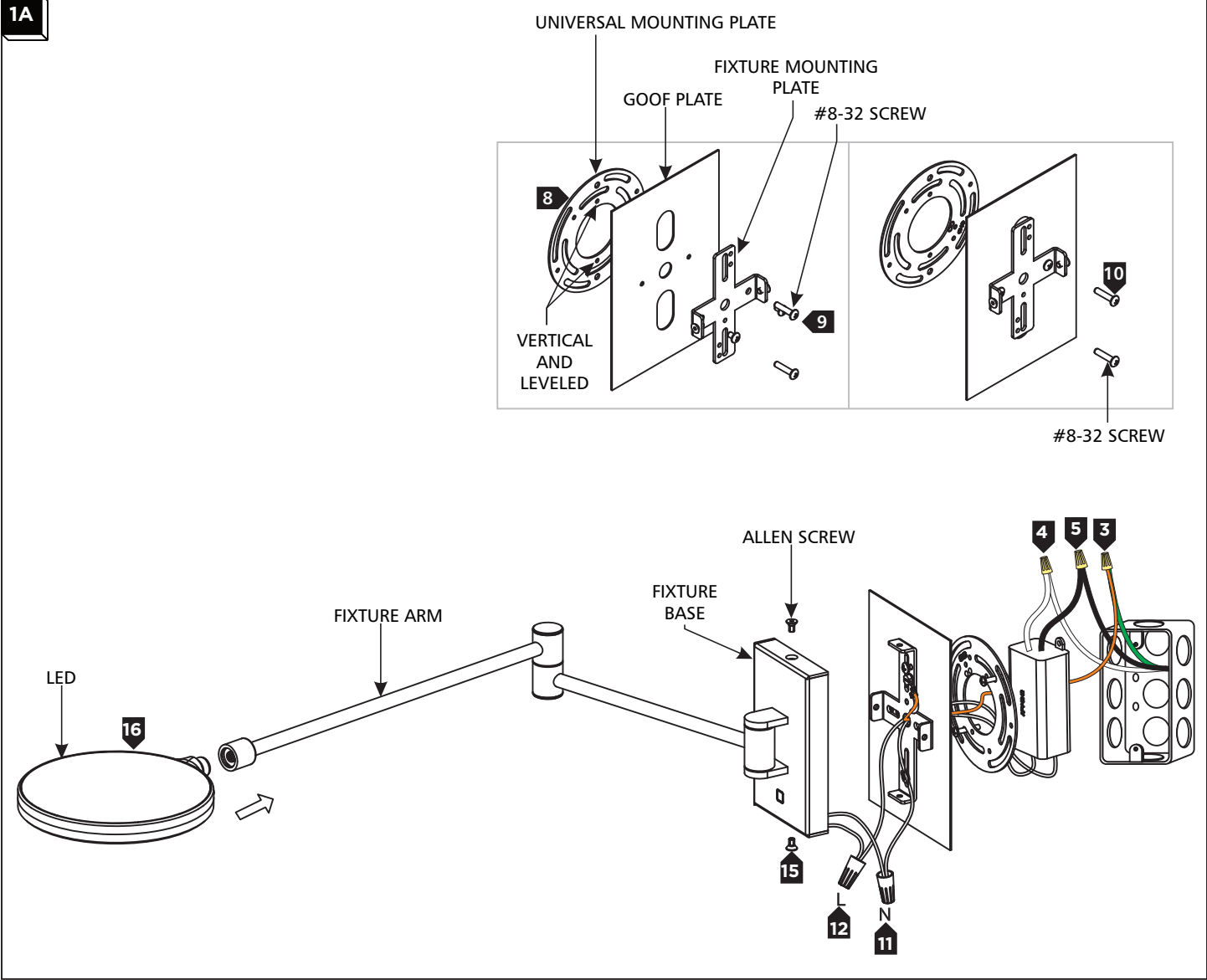
### CAUTION - RISK OF FIRE

This product must be installed in accordance with the applicable installation code by a person familiar with the construction and operation of the product and the hazards involved.

### SAVE THESE INSTRUCTIONS!



# Install the Fixture



- 1 With the provided Allen wrench, remove the Allen screws on the fixture base.
- 2 Remove the mounting plate from the fixture base.
- 3 Connect the fixture to a suitable ground in accordance with local electrical codes.
- 4 Connect the white driver wire to the neutral power line with a wire nut.
- 5 Connect the black driver wire to the hot power line with a wire nut.
- 6 Place the driver into the junction box.
- 7 **For a 2"x4" junction box**, install the fixture mounting plate with the two 6-32x.75" pan head screws and skip to step 11.
- 8 **For junction boxes larger than 2"x4"**, feed the driver output wires through the center hole of the round universal mounting plate and secure it to the junction box ensuring that the threaded holes are positioned vertical and leveled.
- 9 Install the fixture mounting plate to the goof plate using the two 8-32x.25" pan head screws.
- 10 Feed the driver output wires through the center of the cross-bar/goof plate assembly and secure it to the universal mounting plate using the two 8-32x.75" pan head screws.
- 11 Connect the black/blue driver wire to the black/blue fixture wire with a wire nut.
- 12 Connect the red driver wire to the red fixture wire with a wire nut.
- 13 For 0-10V Dimming Only: Connect the pink and gray wires to a compatible dimmer. If not using 0-10V dimming, cap off the purple and gray wires.
- 14 Properly place the wires and wire nut connections into the junction box/canopy, and install the mounting plate to the junction box with the two #6-32 screws provided. NOTE: Must use approximate 2x4 junction box or goof plate to completely cover the junction box.
- 15 Properly place the wires and wire nut connections into the junction box/fixture base, mount the fixture base onto the fixture mounting plate, and secure it in place by reinstalling the Allen screws using the provided Allen wrench.
- 16 Install the LED by inserting it into the fixture arm and screwing it into place.