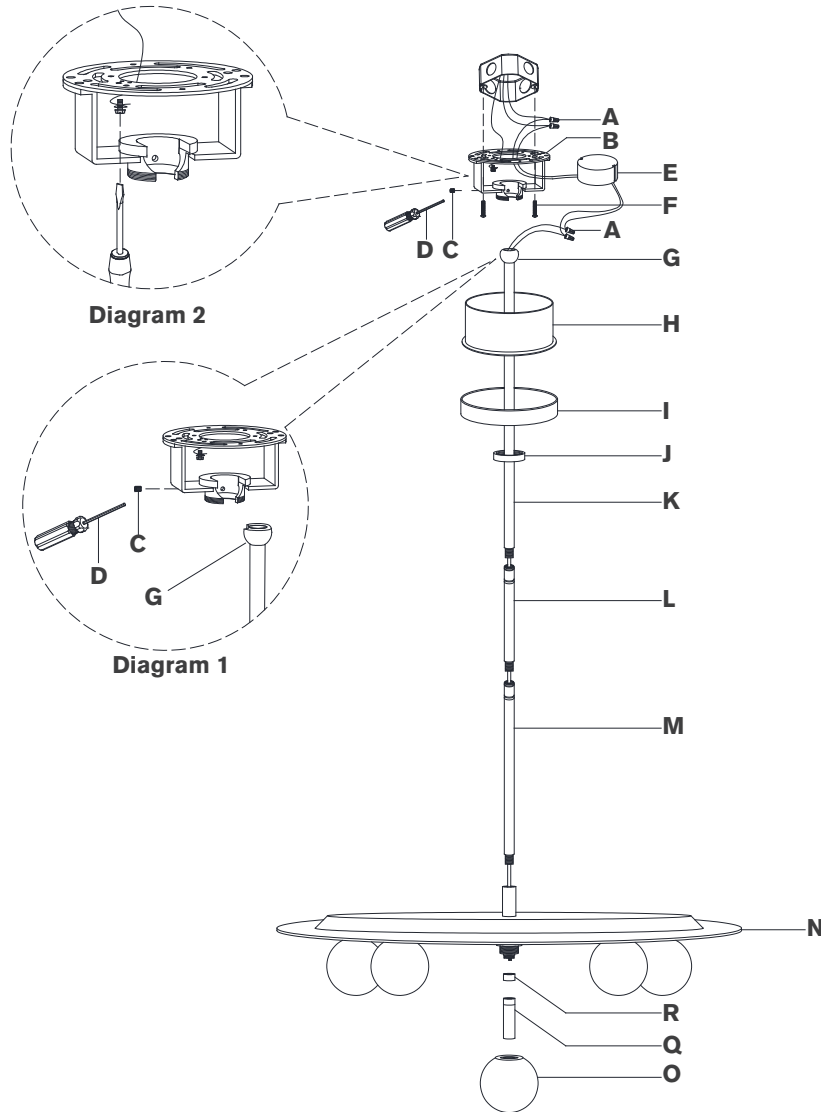


ASSEMBLY INSTRUCTIONS

Option 1: Canopy Mounted Driver



Pertica 24" Eight Light Chandelier

Item # KW 5521

NOTICE:

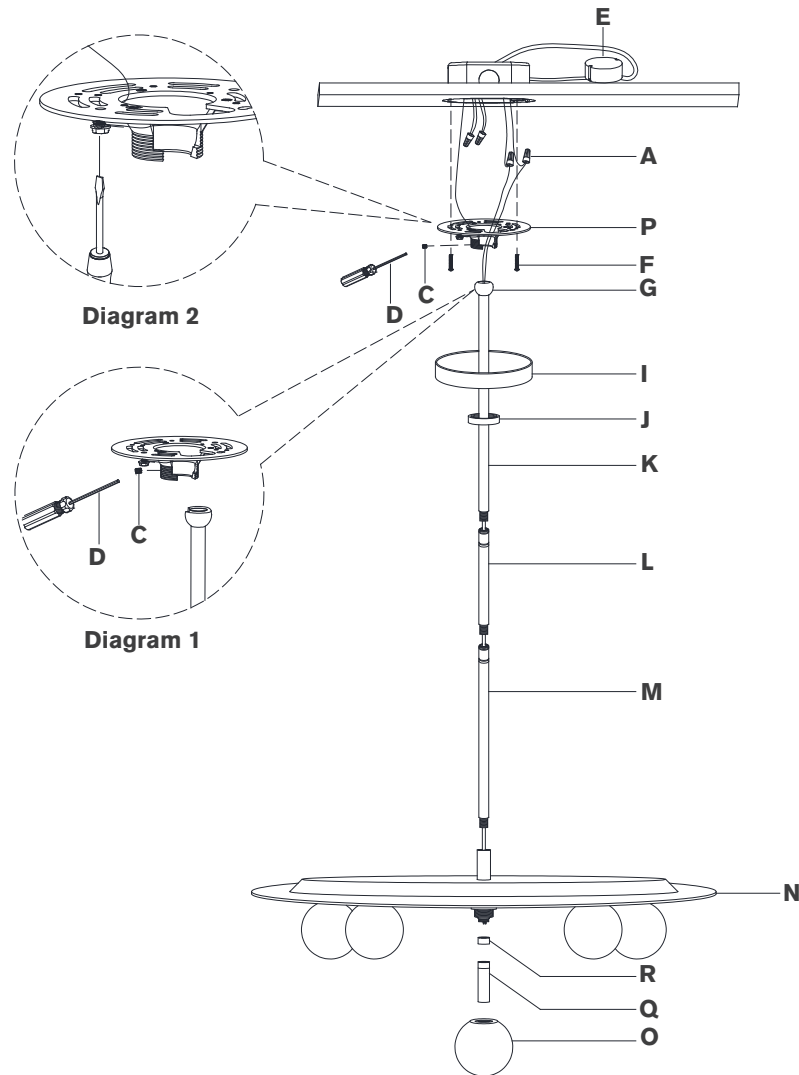
This light fixture should be installed in accordance with all applicable, local installation codes, and by a person familiar with the construction and operation of it, as well as the hazards involved. Inspect item and contents carefully. If any damage or defect is found, do not install. Retain all packaging material until installation is complete and approved.

10. Connect fixture neutral wire (black) to driver (E) output wire (black) using wire nut (A).
11. Connect fixture hot wire (red) to driver (E) output wire (red) using wire nut (A).
CAUTION: Do not reverse the hot and neutral connections.
12. Connect driver (E) input neutral wire (white) to the supply neutral wire (usually white) using wire nut (A).
13. Connect driver (E) input hot wire (black) to the supply hot wire (usually black) using wire nut (A).
CAUTION: Do not reverse the hot and neutral connections.
14. Make sure all wire connections are tight, then carefully tuck into the junction box.
15. Insert driver (E) into center of tall mounting plate (B).
16. Install driver housing (H) and canopy (I) to tall mounting plate (B) and secure with collar ring (J).
17. Remove protective caps (R) from fixture (N), then thread LED bulbs (Q) to fixture (N).
NOTE: Confirm all light sources are installed before testing power.
18. Thread shades (O) to fixture (N).
NOTE: Do not over-tighten otherwise shade could become damaged.

Care Instructions: Clean only with a soft dry cloth or feather duster. Do not use abrasive or chemical agents.

ASSEMBLY INSTRUCTIONS

Option 2: Ceiling Mounted Driver



Pertica 24" Eight Light Chandelier

Item # KW 5521

NOTICE:

This light fixture should be installed in accordance with all applicable, local installation codes, and by a person familiar with the construction and operation of it, as well as the hazards involved. Inspect item and contents carefully. If any damage or defect is found, do not install. Retain all packaging material until installation is complete and approved.

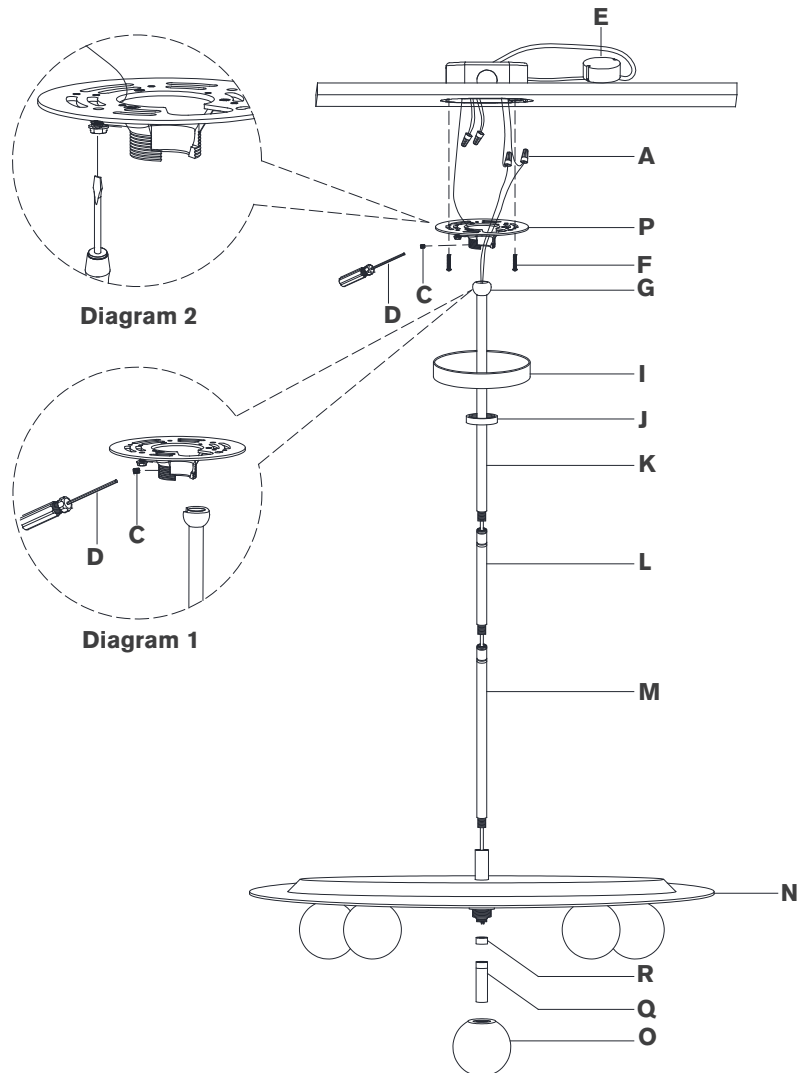
TOOLS REQUIRED (NOT INCLUDED):

Phillips Screwdriver	Slotted Screwdriver	Wire Cutters
Wire Strippers	Slip-joint pliers	

1. Carefully remove all parts from the box. Place on a clean, soft surface.
2. Place driver **(E)** into ceiling and route all wires through one of the knockouts in the junction box.
2. Remove tall mounting plate **(B)** from driver housing **(H)** and canopy **(I)** by removing collar ring **(J)**.
NOTE: Driver housing **(H)** will be not be used for ceiling mounted assembly. Keep part and store for future use.
3. Install short mounting plate **(P)** to the junction box and secure with mounting screws **(F)**.
4. Feed electrical wires through bottom rod **(M)** and thread to fixture **(N)**. Repeat for middle rod **(L)**, connecting to bottom rod **(M)**.
5. Continue feeding wires through collar ring **(J)**, canopy **(I)** and top rod **(K)**.
6. Holding fixture upright, slide collar ring **(J)**, canopy **(I)** down rods and rest on fixture **(N)**. Then connect top rod **(K)** to middle rod **(L)**.
NOTE: Slide components down slowly to avoid damages.
7. Hang fixture swivel ball **(G)** to center of tall mounting plate **(B)** and secure with set screw **(C)** using provided screwdriver **(D)**. See diagram 1.
8. Cut excess wires, being sure to leave enough to reach the junction box. Separate wires, and strip insulation on each 5/8".

ASSEMBLY INSTRUCTIONS

Option 2: Ceiling Mounted Driver



Pertica 24" Eight Light Chandelier

Item # KW 5521

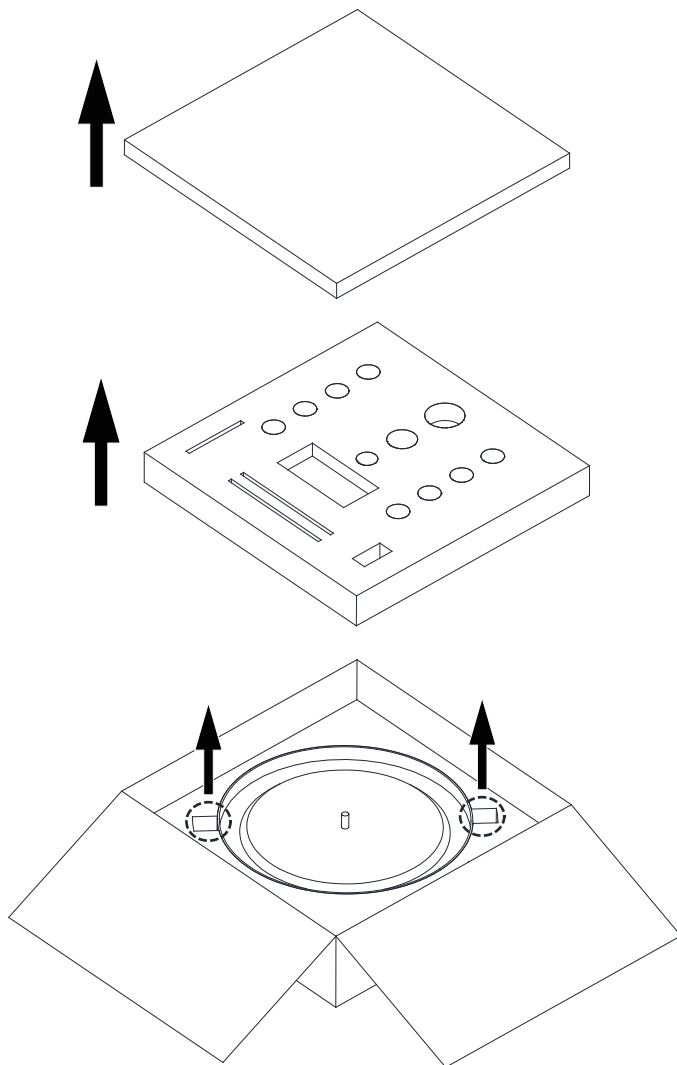
NOTICE:

This light fixture should be installed in accordance with all applicable, local installation codes, and by a person familiar with the construction and operation of it, as well as the hazards involved. Inspect item and contents carefully. If any damage or defect is found, do not install. Retain all packaging material until installation is complete and approved.

9. Wrap supply ground wire (usually green or bare copper) around the green grounding screw (see diagram 2). Tighten.
NOTE: It is imperative that the fixture is grounded.
10. Connect fixture neutral wire (black) to driver (E) output wire (black) using wire nut (A).
11. Connect fixture hot wire (red) to driver (E) output wire (red) using wire nut (A).
CAUTION: Do not reverse the hot and neutral connections.
12. Connect driver (E) input neutral wire (white) to the supply neutral wire (usually white) using wire nut (A).
13. Connect driver (E) input hot wire (black) to the supply hot wire (usually black) using wire nut (A).
CAUTION: Do not reverse the hot and neutral connections.
14. Make sure all wire connections are tight, then carefully tuck into the junction box.
16. Install canopy (I) to short mounting plate (P) and secure with collar ring (J).
17. Remove protective caps (R) from fixture (N), then thread LED bulbs (Q) to fixture (N).
NOTE: Confirm all light sources are installed before testing power.
18. Thread shades (O) to fixture (N).
NOTE: Do not over-tighten otherwise shade could become damaged.

Care Instructions: Clean only with a soft dry cloth or feather duster. Do not use abrasive or chemical agents.

UNPACKING NOTICE



Pertica 24" Eight Light Chandelier

Item # KW 5521

NOTICE:

Please follow instructions below to avoid possible damages caused by improper removal.

1. Open box and remove top layer of packaging.
2. Evenly lift shade in areas indicated by arrows (see diagram) until clear of packaging. Place on clean, soft surface.

NOTE: Remove slowly to avoid damages.