

WAC LIGHTING

Lotos 4" & 6" Round

Adjustable Downlight 5CCT

Fixture Type: _____

Catalog Number: _____

Project: _____

Location: _____

Model	Beam	Color Temp & CRI	Lumens	CBCP	Finish
R4ERAR R6ERAR	W 45°	9CS 2700K/3000K/3500K/4000K/5000K - 90	690 800 1290 1340	925 1020 1920 1896	BK Black WT White

Example: **R4ERAR-W9CS-BK**

DESCRIPTION

The wafer-thin Lotos LED Recessed Kit with remote driver combines high quality light output and efficiency while eliminating the need for a large housing. This innovative design can be installed easily as a remodel or new construction with an optional frame-in kit sold separately. Lotos is available in a downlight version for general ambient lighting and an adjustable version with a gimbal that pivots 360 degrees on a hinge. Now available with 5-CCT options.

FEATURES

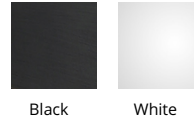
- 5-CCT Switchable between 2700K and 5000K
- Multiple LED array for uniform illumination
- Rotatable multi-axis gimbal ring
- Driver included
- 5 year warranty

SPECIFICATIONS

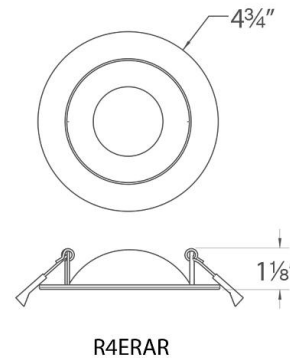
Construction:	Steel with frosted TIR lens
Power:	9W, 15W
Input:	120 -277 VAC, 50/60Hz
Dimming:	ELV: 100-5% , TRIAC: 100-5%
Light Source:	Integrated LED
Lens:	Translucent acrylic diffuser
Rated Life:	50000 Hours
Mounting:	Heavy gauge retention clips secures fixture to ceiling
Cut Out:	4 1/4", 5"
Finish:	Electrostatically powder coated: White, Black, Electrostatically powder coated: Black, White
Ceiling Thickness:	1/2" - 1"
Operating Temp:	-4°F to 104°F (-20°C to 40°C)
Standards:	ETL, cETL, Wet Location Listed, Energy Star 2.0, Title 24 JA8 Compliant, IC, Airtight



FINISHES:



LINE DRAWING:



WAC LIGHTING

Lotos 4" & 6" Round
Adjustable Downlight 5CCT

Fixture Type: _____

Catalog Number: _____

Project: _____

Location: _____

ACCESSORIES

Model

Description

Finish

WAC LIGHTING

Lotos Adj - Fire Rated

Adjustable Downlight 5CCT

Fixture Type: _____
 Catalog Number: _____
 Project: _____
 Location: _____

Model	Beam	Color Temp & CRI	Lumens	CBCP	Finish
R4ERAR	W 45	9CS 2700K/3000K/3500K/4000K/5000K - 90	800	No	FWT White (Fire Rated)

Example: **R4ERAR-W9CS-FWT**

For custom requests please contact customs@wacighting.com

DESCRIPTION

Fire rated to reduce the spread of flames and maintain the integrity of the ceiling.

FEATURES

- Fire Rated - ASTM E119 and UL 263 tested and certified for 2 hours
- 5-CCT Switchable between 2700K and 5000K
- Multiple LED array for uniform illumination
- Rotatable multi-axis gimbal ring
- Minimum Plenum Space Required: 4 1/2"
- Driver included
- 5 year warranty

SPECIFICATIONS

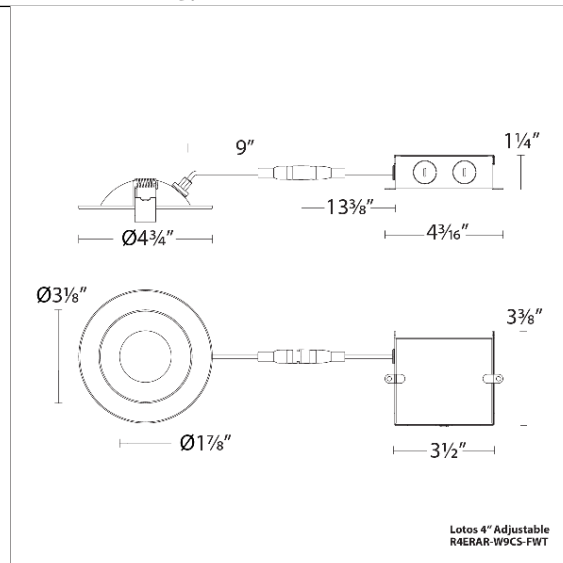
Color Temp:	2700K/3000K/3500K/4000K/5000K
Input:	120-277 VAC,50/60Hz
CRI:	90
Dimming:	ELV: 100-5% ,TRIAC: 100-5%
Rated Life:	50000 Hours
Mounting:	Heavy gauge retention clips secures fixture to ceiling
Standards:	ETL, cETL, Title 24 JA8 Compliant, Energy Star 2.0 Wet Location Listed
Construction:	Steel with frosted TIR lens



FINISHES:

White
(Fire Rated)

LINE DRAWING:



WAC LIGHTING

Lotos Adj - Fire Rated

Adjustable Downlight 5CCT

Model	Beam	Color Temp & CRI	Lumens	CBCP	Finish
R6ERAR	W 45	9CS 2700K/3000K/3500K/4000K/5000K - 90	1320	No	FWT White (Fire Rated)

Fixture Type: _____

Catalog Number: _____

Project: _____

Location: _____

Example: **R6ERAR-W9CS-FWT**

For custom requests please contact customs@wacighting.com

DESCRIPTION

Fire rated to reduce the spread of flames and maintain the integrity of the ceiling.

FEATURES

- Fire Rated - ASTM E119 and UL 263 tested and certified for 2 hours
- 5-CCT Switchable between 2700K and 5000K
- Multiple LED array for uniform illumination
- Rotatable multi-axis gimbal ring
- Minimum Plenum Space Required: 4 1/2"
- Driver included
- 5 year warranty

SPECIFICATIONS

Color Temp:	2700K/3000K/3500K/4000K/5000K
Input:	120-277 VAC,50/60Hz
CRI:	90
Dimming:	ELV: 100-5% ,TRIAC: 100-5%
Rated Life:	50000 Hours
Mounting:	Heavy gauge retention clips secures fixture to ceiling
Standards:	ETL, cETL, Title 24 JA8 Compliant, Energy Star 2.0 Wet Location Listed
Construction:	Steel with frosted TIR lens



FINISHES:

White
(Fire Rated)

LINE DRAWING:

