

INSTALLATION INSTRUCTION

LOTOS

R4ERDR, R6ERDR

WAC LIGHTING

Responsible Lighting®

SAFETY INSTRUCTION

IMPORTANT: NEVER attempt any work without shutting off the electricity.

- Read all instructions before installing.
- System is intended for installation by a qualified electrician in accordance with the National Electrical Code and local regulations.
- Go to the main fuse box, or circuit breaker. Place the main power switch in the "OFF" position and unscrew the fuse(s) or switch "OFF" the circuit breaker switch(es) that control the power to the fixture or room that you are working on.
- Place the wall switch in the "OFF" position.

AVERTISSEMENT

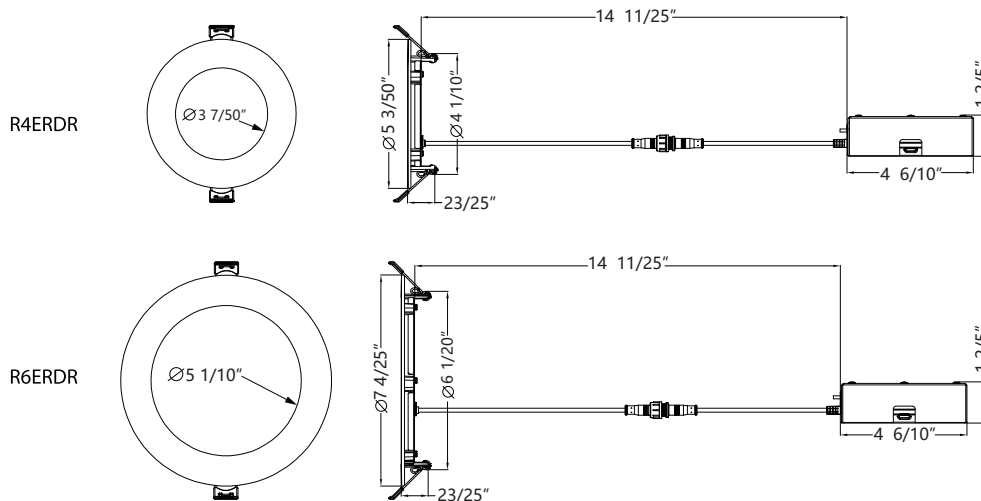
IMPORTANT : Coupez l'électricité avant TOUTE manipulation.

- Lisez toutes les instructions avant d'installer.
- Système est destiné à être installé par un électricien qualifié en conformité avec le code national de l'électricité et les règlements locaux.
- Accédez au panneau central de disjoncteurs ou de fusibles de votre demeure et placez l'interrupteur principal en position d'arrêt (« OFF »).
- Placez l'interrupteur mural en position d'arrêt (« OFF »).

CAUTION

All parts must be used as indicated in these instructions. Do not substitute any parts, leave parts out, or use any parts that are worn out or broken. Failure to follow could invalidate the ETL/cETL listing of this fixture.

OVERALL DIMENSIONS



SPECIFICATIONS

Input:	120-277V
Installation:	IC for all models
Dimming:	ELV / TRIAC

wacighting.com
Phone (800) 526.2588
Fax (800) 526.2585

Headquarters/Eastern Distribution Center
44 Harbor Park Drive
Port Washington, NY 11050

Central Distribution Center
1600 Distribution Ct
Lithia Springs, GA 30122

Western Distribution Center
1750 Archibald Avenue
Ontario, CA 91760

INSTALLATION INSTRUCTION

LOTOS

R4ERDR, R6ERDR

WAC LIGHTING

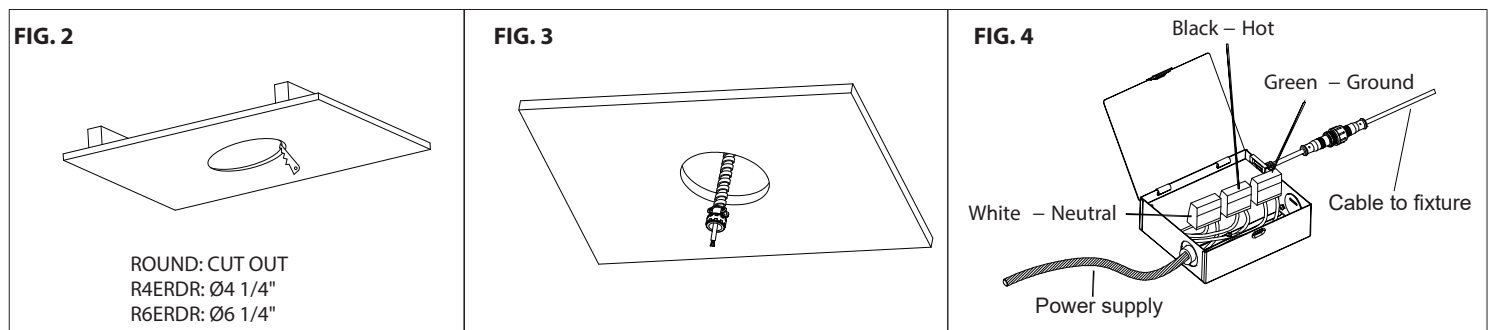
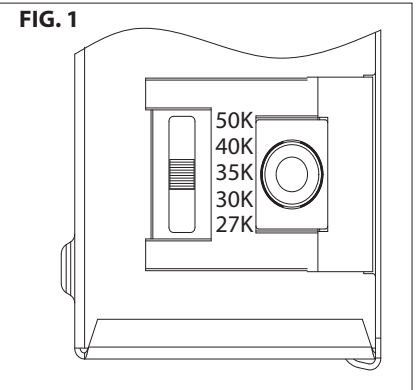
Responsible Lighting®

INSTALLATION

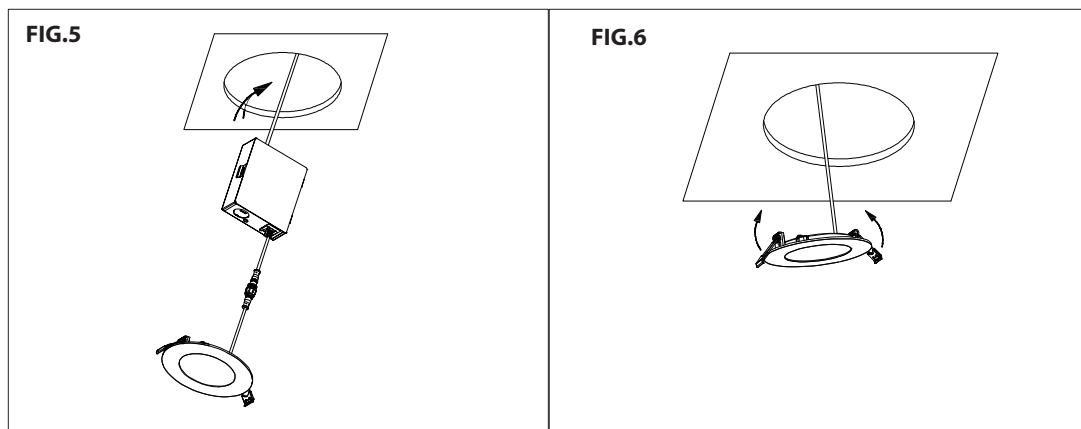
1. At the point of installation, cut a round hole for a round trim (See **FIG. 2**).
For R4ERDR cut the hole $\varnothing 4 \frac{1}{4}$ " diameter
For R6ERDR cut the hole $\varnothing 6 \frac{1}{4}$ " diameter
2. Ceiling thickness range is $\frac{1}{2}$ " to $1 \frac{1}{2}$ ".
3. Take out fixture from packaging box.
4. Adjust to desired color temperature using switch on the side of the driver (See **FIG. 1**).
5. Pull building supply wires through the ceiling cutout and open fixture junction box door. (See **FIG. 3**)
Remove desired housing knockout and feed building wires into housing using appropriate connector.
6. Connect fixture wires to building wires (See **FIG. 4**):
Connect each supply wire with appropriate junction box wire connector. This fixture features electronic low voltage (ELV) or TRIAC dimming capabilities.

To utilize ELV or TRIAC, wire black (line hot), white (line neutral) and green (ground) in accordance to dimmer specifications.

When not using a dimmer, connect black fixture wire to hot, white fixture wire to neutral and green fixture wire to ground. Leave all other wires capped individually.



7. Place all wiring and connectors back in driver box and replace the box's cover.
8. Insert driver box through the mounting hole and secure to ceiling joist. (See **FIG. 5**).
9. Fold fixture torsion springs inward and insert trim assembly into ceiling cutout. Be sure once installed, trim assembly is flush and secure (See **FIG. 6**).



waclighting.com
Phone (800) 526.2588
Fax (800) 526.2585

Headquarters/Eastern Distribution Center
44 Harbor Park Drive
Port Washington, NY 11050

Central Distribution Center
1600 Distribution Ct
Lithia Springs, GA 30122

Western Distribution Center
1750 Archibald Avenue
Ontario, CA 91760

INSTALLATION INSTRUCTION

LOTOS - Fire Rated

R4ERDR, R6ERDR

WAC LIGHTING

SAFETY INSTRUCTION

IMPORTANT: NEVER attempt any work without shutting off the electricity.

- Read all instructions before installing.
- System is intended for installation by a qualified electrician in accordance with the National Electrical Code and local regulations.
- Go to the main fuse box, or circuit breaker. Place the main power switch in the "OFF" position and unscrew the fuse(s) or switch "OFF" the circuit breaker switch(es) that control the power to the fixture or room that you are working on.
- Place the wall switch in the "OFF" position.

AVERTISSEMENT

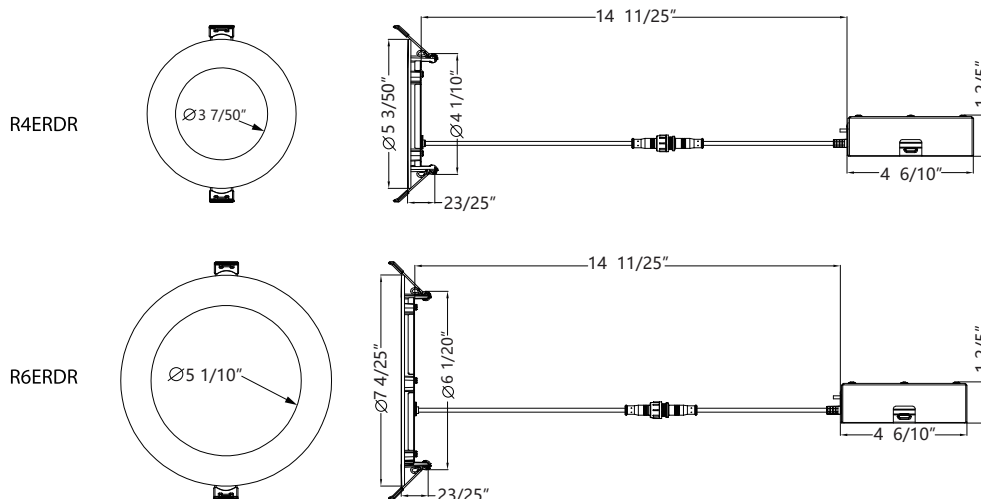
IMPORTANT : Coupez l'électricité avant TOUTE manipulation.

- Lisez toutes les instructions avant d'installer.
- Système est destiné à être installé par un électricien qualifié en conformité avec le code national de l'électricité et les règlements locaux.
- Accédez au panneau central de disjoncteurs ou de fusibles de votre demeure et placez l'interrupteur principal en position d'arrêt (« OFF »).
- Placez l'interrupteur mural en position d'arrêt (« OFF »).

CAUTION

All parts must be used as indicated in these instructions. Do not substitute any parts, leave parts out, or use any parts that are worn out or broken. Failure to follow could invalidate the ETL/cETL listing of this fixture.

OVERALL DIMENSIONS



SPECIFICATIONS

Input:	120-277V
Installation:	IC for all models
Dimming:	ELV / TRIAC

wacighting.com
Phone (800) 526.2588
Fax (800) 526.2585

Headquarters/Eastern Distribution Center
44 Harbor Park Drive
Port Washington, NY 11050

Central Distribution Center
1600 Distribution Ct
Lithia Springs, GA 30122

Western Distribution Center
1750 Archibald Avenue
Ontario, CA 91760

INSTALLATION INSTRUCTION

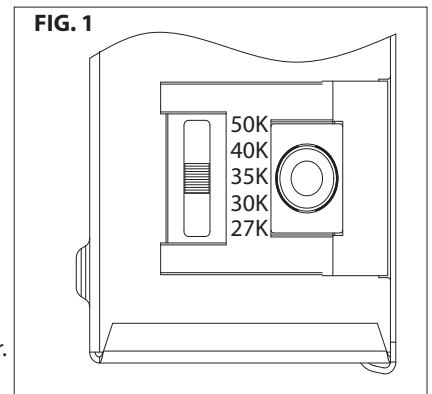
LOTOS - Fire Rated

R4ERDR, R6ERDR

WAC LIGHTING

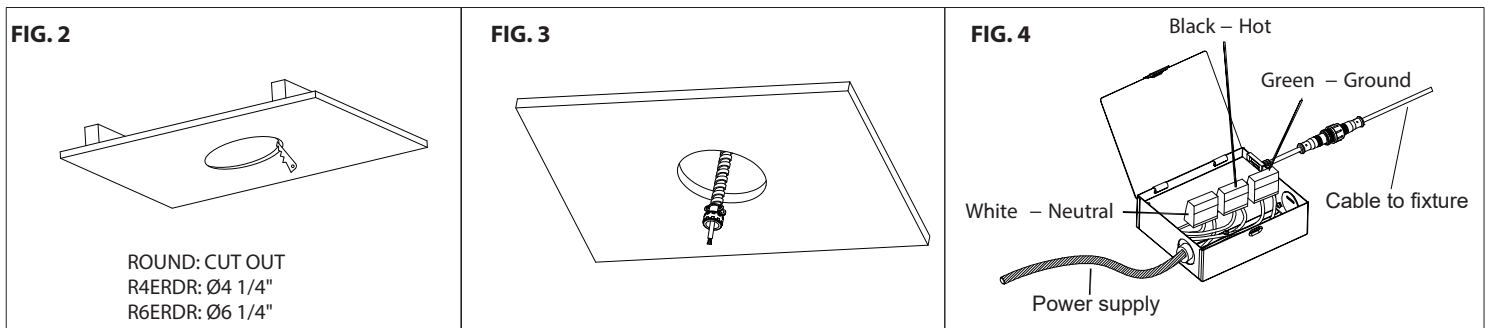
INSTALLATION

1. At the point of installation, cut a round hole for a round trim (See **FIG. 2**).
For R4ERDR cut the hole $\varnothing 4 \frac{1}{4}$ " diameter
For R6ERDR cut the hole $\varnothing 6 \frac{1}{4}$ " diameter
2. Ceiling thickness range is $\frac{1}{2}$ " to $1 \frac{3}{4}$ "
3. Take out fixture from packaging box.
4. Adjust to desired color temperature using switch on the side of the driver (See **FIG. 1**).
5. Pull building supply wires through the ceiling cutout and open fixture junction box door. (See **FIG. 3**)
Remove desired housing knockout and feed building wires into housing using appropriate connector.
6. Connect fixture wires to building wires (See **FIG. 4**):
Connect each supply wire with appropriate junction box wire connector. This fixture features electronic low voltage (ELV) or TRIAC dimming capabilities.

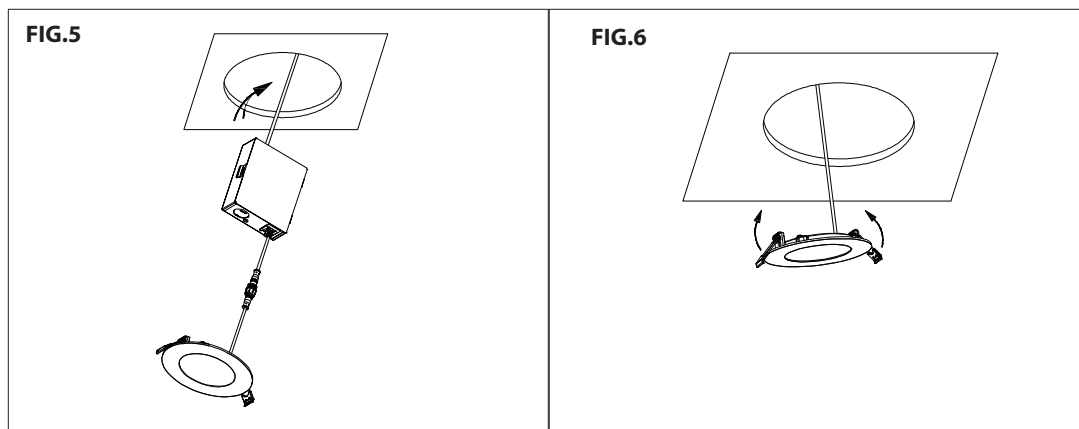


To utilize ELV or TRIAC, wire black (line hot), white (line neutral) and green (ground) in accordance to dimmer specifications.

When not using a dimmer, connect black fixture wire to hot, white fixture wire to neutral and green fixture wire to ground. Leave all other wires capped individually.



7. Place all wiring and connectors back in driver box and replace the box's cover.
8. Insert driver box through the mounting hole and secure to ceiling joist. (See **FIG. 5**).
9. Fold fixture torsion springs inward and insert trim assembly into ceiling cutout. Be sure once installed, trim assembly is flush and secure (See **FIG. 6**).



waclighting.com
Phone (800) 526.2588
Fax (800) 526.2585

Headquarters/Eastern Distribution Center
44 Harbor Park Drive
Port Washington, NY 11050

Central Distribution Center
1600 Distribution Ct
Lithia Springs, GA 30122

Western Distribution Center
1750 Archibald Avenue
Ontario, CA 91760