

# Lightology

lightology.com  
866-954-4489  
04-25-26

Project: \_\_\_\_\_

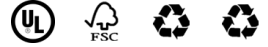
Company: \_\_\_\_\_

Location: \_\_\_\_\_ Fixture Type: \_\_\_\_\_

SPEC #: **BZZI004610**

Approved On: \_\_\_\_\_ Approved By: \_\_\_\_\_

## BuzziShade Square Pendant By BuzziSpace



### Description

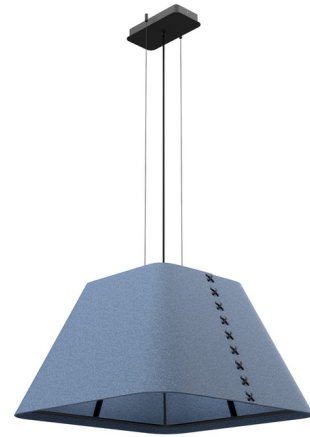
The BuzziShade Square Pendant has a unique personality that combines a nicely finished metal frame with the signature BuzziFelt around the outside that aids in reducing external noise levels. Available in Stonegrey, Anthracite, Light Blue, or Off White. Canopy is 5.51in. x 11.02in. x 1.57in. UL listed.

### Specifications

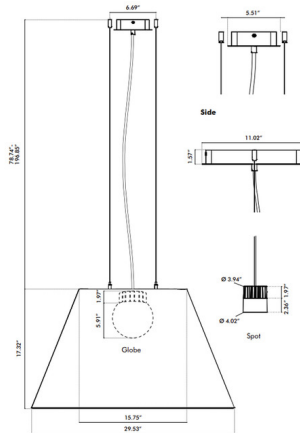
COLOR . . . . . Light Blue  
BODY FINISH . . . . . Black  
WATTAGE . . . . . 19W  
DIMMER . . . . . 0-10V  
DIMENSIONS . . . . . 29.53"W x 17.32"H  
INTEGRATED LED MODULE . . . . . LED/19W/120-277V LED  
COUNTRY OF ORIGIN . . . . . Netherlands

### Technical Information

PRODUCT DIMENSIONS . . . . . Cable Length: 196.85"  
COLOR RENDERING . . . . . 90 CRI  
LAMP COLOR . . . . . 3000K  
LUMENS/WATT . . . . . 78.95  
LUMINOUS FLUX . . . . . 1500 lumens



Shown in black / light blue



CLICK TO VIEW PRODUCT

Notes: