

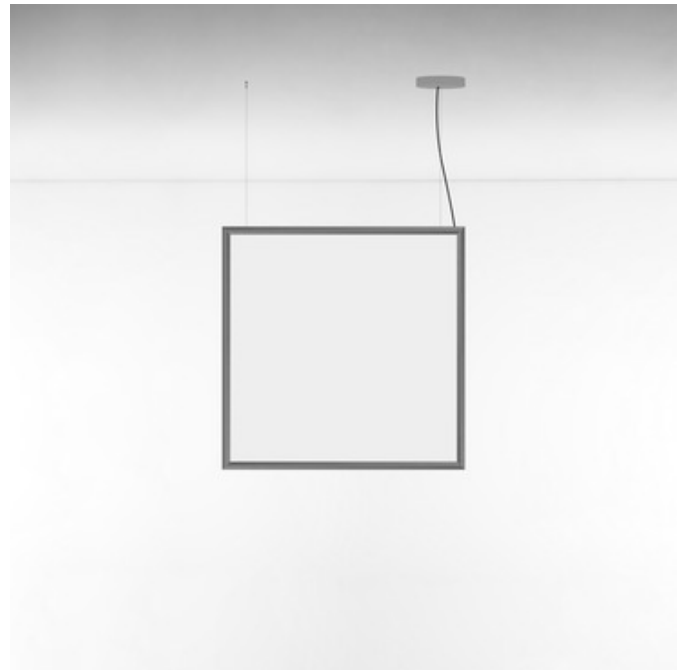


**BRAND**

Artemide

**DESCRIPTION**

The Discovery Space Pendant is a seemingly unobtrusive, utterly absent and immaterial element. A very light square rim houses an LED strip that injects light into a specially worked surface with micro particles so small that the surface is hardly perceptible when the appliance is turned off. When the appliance is turned on, the transparent interior appears to fill with light as if by magic, as absence is turned into a perfectly diffusing emitting surface. Available with a Black, Bronze, or Polished Aluminum finish. UL listed.



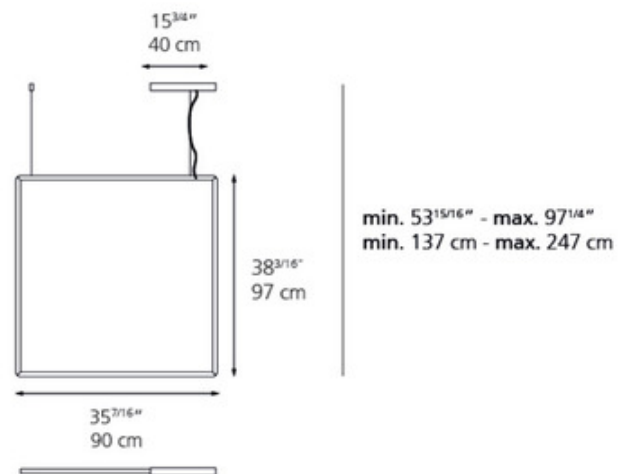
*Shown in: Polished Aluminum / Transparent*

<b>SHADE COLOR</b>	Transparent
<b>BODY FINISH</b>	Polished Aluminum
<b>WATTAGE</b>	30W
<b>DIMMER</b>	0-10V
<b>DIMENSIONS</b>	35.44"W x 38.188"H
<b>INTEGRATED LED MODULE</b>	
<b>LAMP</b>	1 x LED/30W/120-277V LED

*Technical Information*

<b>LUMINOUS FLUX</b>	1955 lumens
<b>LUMENS/WATT</b>	65.17
<b>LAMP COLOR</b>	3000K
<b>COLOR RENDERING</b>	90 CRI

**SPEC #** ART1011334



COMPANY	PROJECT	FIXTURE TYPE	APPROVED BY	DATE