



DESIGNER

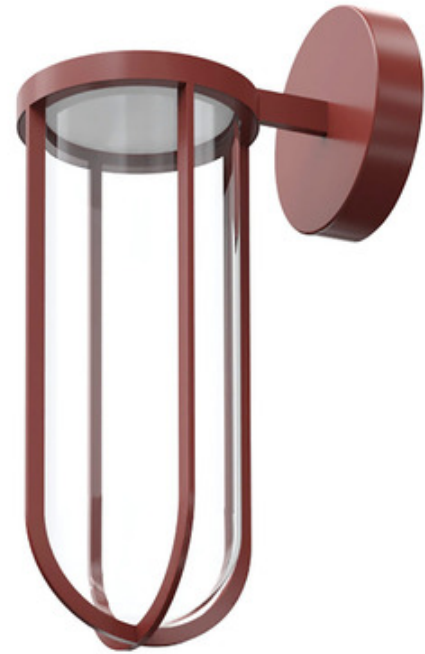
Philippe Starck

BRAND

FLOS

DESCRIPTION

The In Vitro Wall Sconce is an elegant option for outdoor lighting that modernizes the classic lantern into a contemporary structure blending craftsmanship and technology into a new design. A concealed LED light source is magically lit and warmly emanates through the slim glass dome shade creating an atmospheric glow. Available with a White, Anthracite, Black, Deep Brown, Forest Green, Terracotta, or Pale Green finish. Non-Dimmable or 0-10V dimming options available, as well as a choice of 3000K or 2700K color temperature. UL listed, wet locations.



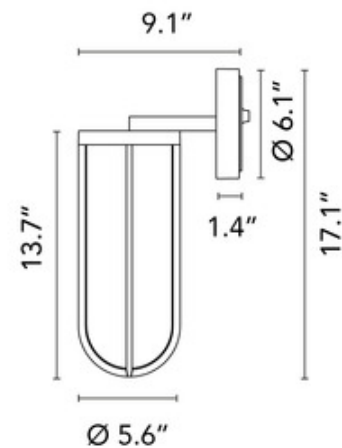
Shown in: Terracotta / Transparent

SHADE COLOR	Transparent
BODY FINISH	Terracotta
WATTAGE	11W
DIMMER	Not Dimmable
DIMENSIONS	5.6"W x 17.1"H x 9.1"D
INTEGRATED LED MODULE	
LAMP	1 x LED/11W/120V LED

Technical Information

LUMINOUS FLUX	1150 lumens
LUMENS/WATT	104.55
LAMP COLOR	2700K
COLOR RENDERING	80 CRI

SPEC # FLO1014325



IN VITRO WALL

COMPANY	PROJECT	FIXTURE TYPE	APPROVED BY	DATE