

# Lightology

lightology.com  
866-954-4489  
07-04-26

Project: \_\_\_\_\_

Company: \_\_\_\_\_

Location: \_\_\_\_\_ Fixture Type: \_\_\_\_\_

SPEC #: **WAC1017237**

Approved On: \_\_\_\_\_ Approved By: \_\_\_\_\_

## Marques Pendant By WAC Lighting



### Description

The Marques Pendant features a spiraling Aluminum loop with a Black or Aged Brass finish. Includes a frosted silicon diffuser that provides illumination in all directions. Can be mounted on slope ceiling. Driver concealed within the canopy. Title 24 compliant. ETL listed for Damp location.

### Specifications

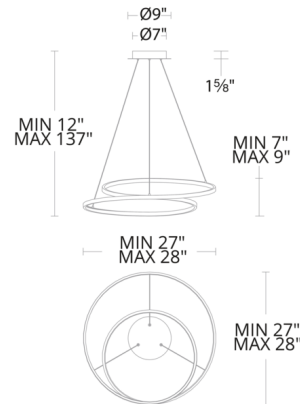
COLOR	White
BODY FINISH	Black
WATTAGE	47W
DIMMER	Low Voltage Electronic
DIMENSIONS	28"W x 9"H
INTEGRATED LED MODULE	LED/47W/120-277V LED
COUNTRY OF ORIGIN	China

### Technical Information

PRODUCT DIMENSIONS	Max Cable Length: 120 in (adjustable)
LAMP LIFE	50000 hours
BEAM SPREAD	Flood
COLOR RENDERING	90 CRI
LAMP COLOR	3000K
LUMENS/WATT	35.49
LUMINOUS FLUX	1668 lumens



Shown in black / white



CLICK TO VIEW PRODUCT

Notes: