

Freejack Elton Adjustable Double Head



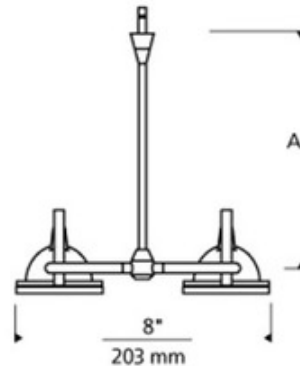
Description:

Freejack Elton adjustable double head tilts and rotates infinitely. Integral louver lens holders can hold a single glass lens (sold separately) or an eggcrate louver (two included). Available in stem lengths of 3, 6, 12, 18 or 24 inches. Finish available in Satin Nickel or Antique Bronze. Two low voltage MR16 lamps of up to 35 watts each (not included). Includes Freejack connector. Directional light distribution. ETL listed. 8 inch width. Requires canopy for use as a monopoint, sold separately.

Shown in: Satin Nickel

List Price: \$287.50
Our Price: \$230.00

Shade Color: N/A
Body Finish: Satin Nickel
Lamp: 2 x MR16/GU5.3 (bipin)/35W/12V Halogen
 1 x MR16/GU5.3 (bipin)/12V LED
Wattage: 35W
Dimmer: Dimmable
Dimensions: 3"H x 8"W



Product Number: TLG10179			
Company:		Fixture Type:	Date: Apr 21, 2018
Project:		Approved By:	

#2002FJ-ELTON-003H1-00SN

Fax: (773) 883-6131

Phone: 866-954-4489

Address: 1718 W. Fullerton Ave. Chicago IL 60614

www.lightology.com