



BRAND

Hunter Fan

DESCRIPTION

The Grove Park Ceiling Fan features a fluted glass shade that creates a stunning effect, reflecting light across the room. Five blades are set at a 13 degree pitch complemented by a powerful 153x20mm reversible motor with four speeds and WhisperWind Technology allowing you to get the airflow you desire without the unwanted noise. Installers Choice allows for mounting on standard, low, or angled ceilings. Includes a 2in. and 3in. dowrod, as well as a Wall Control allowing you to quickly control the lights, speed and direction of the fan. ETL listed.

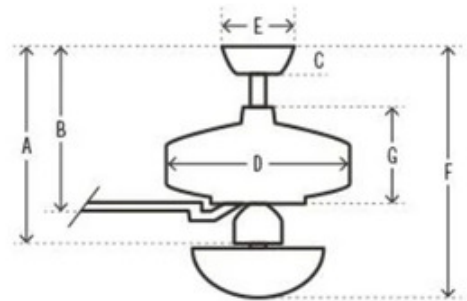


SHADE COLOR	Salted Black
BODY FINISH	Matte Black
WATTAGE	6.2W
DIMMER	Included
DIMENSIONS	52"W x 18.6"H
BULB INCLUDED	
LAMP	1 x G25/Medium (E26)/6.2W/120V LED

Technical Information

LUMINOUS FLUX	350 lumens
LUMENS/WATT	56.45
LAMP COLOR	2700K
COLOR RENDERING	80 CRI

SPEC # HUN1020423



- A 18.6 in (Low 17.6 in Angled 51.6 in)
- B 11.68 in (Low 10.68 in Angled 44.68 in)
- C 2.75 in
- D 8.3 in
- E 6.5 in
- F 18.6 in (Low 17.6 in Angled 51.6 in)
- G 8.23 in

COMPANY	PROJECT	FIXTURE TYPE	APPROVED BY	DATE