

Lightology

lightology.com
866-954-4489
05-21-26

Project: _____

Company: _____

Location: _____ Fixture Type: _____

SPEC #: **EDG1023533**

Approved On: _____ Approved By: _____

Flex Neon .5 Inch Channel

By PureEdge Lighting

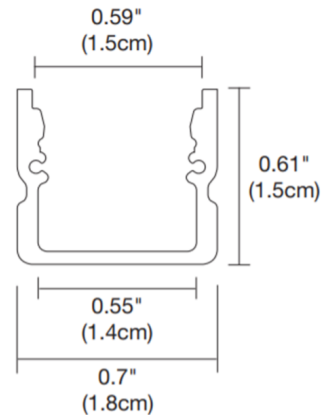


Description

The Flex Neon LRF5 Channel is an aluminum extrusion with mounting clips included every 2 feet. Available in 2, 4, 5, 8 and 10 foot lengths and may be cut at the job site. For interior or exterior use. Designed for use with PureEdge Lighting LRF5 Flex Neon.



Shown in satin aluminum



Specifications

COLOR	N/A
BODY FINISH	Satin Aluminum
WATTAGE	N/A
DIMMER	N/A
DIMENSIONS	24"L x 0.7"W x 0.61"H
BULB	N/A



CLICK TO VIEW PRODUCT

Notes: