

Lightology

lightology.com
866-954-4489
04-26-26

Project: _____

Company: _____

Location: _____ Fixture Type: _____

SPEC #: **ET21023876**

Approved On: _____ Approved By: _____

Tether Linear Pendant

By Et2



Description

The Tether Linear Pendant features multiple rings with Steel bodies and a Natural Aged Brass finish. Each ring includes concealed lighting around the perimeter. The ensemble is suspended from a rectangular canopy with leather straps. Available in three sizes. ETL listed. Architizer A+ Product Award Finalist 2021

Specifications

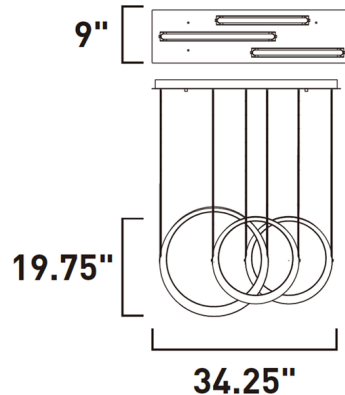
COLOR Frosted
BODY FINISH Natural Aged Brass
WATTAGE 60W
DIMMER Low Voltage Electronic
DIMENSIONS 34.25"L x 19.75"H x 9"D
INTEGRATED LED MODULE 3 x LED/20W/120V LED

Technical Information

PRODUCT DIMENSIONS Overall height: 49.25in Min. - 83in Max.
LAMP LIFE 25000 hours
COLOR RENDERING 90 CRI
LAMP COLOR 3000K
LUMENS/WATT 119.00
LUMINOUS FLUX 2380 lumens



Shown in natural aged brass / frosted



CLICK TO VIEW PRODUCT

Notes: