

Lightology

lightology.com
866-954-4489
06-03-26

Project: _____

Company: _____

Location: _____ Fixture Type: _____

SPEC #: **ET21023880**

Approved On: _____ Approved By: _____

Tether Wall Sconce

By Et2



Description

The Tether Wall Sconce features a ring with a Steel body and a Natural Aged Brass finish. Includes concealed lighting around the perimeter. The ensemble is suspended from a round backplate with leather straps. ETL listed. Architizer A+ Product Award Finalist 2021

Specifications

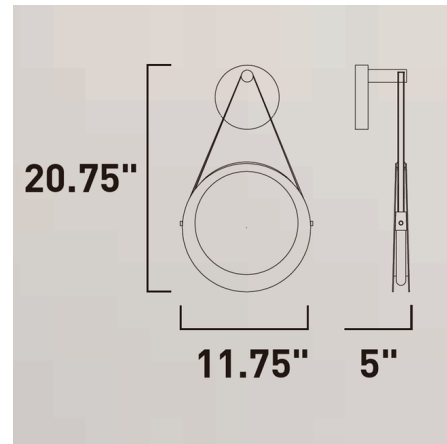
COLOR Frosted
BODY FINISH Natural Aged Brass
WATTAGE 12W
DIMMER Low Voltage Electronic
DIMENSIONS 11.75"W x 20.75"H x 5"D
INTEGRATED LED MODULE 1 x LED/12W/120V LED

Technical Information

LAMP LIFE 25000 hours
COLOR RENDERING 90 CRI
LAMP COLOR 3000K
LUMENS/WATT 38.33
LUMINOUS FLUX 460 lumens



Shown in natural aged brass / frosted



CLICK TO VIEW PRODUCT

Notes: