

# Lightology

lightology.com  
866-954-4489  
05-20-26

Project: \_\_\_\_\_

Company: \_\_\_\_\_

Location: \_\_\_\_\_ Fixture Type: \_\_\_\_\_

SPEC #: **EDG1024051**

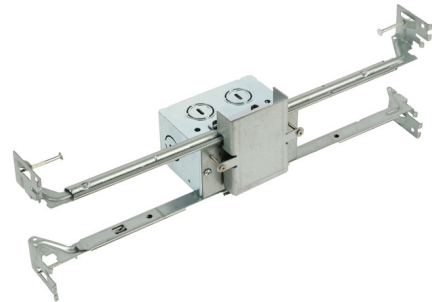
Approved On: \_\_\_\_\_ Approved By: \_\_\_\_\_

## Reveal Wall Wash 2 Rough-In Junction Box By PureEdge Lighting

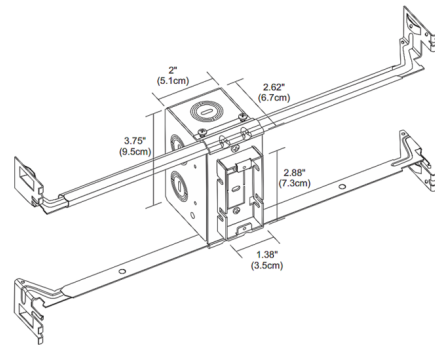


### Description

Reveal Wall Wash 2 Power Junction Box is included with each order of Reveal Wall Wash. Slim Profile Junction Box mounts behind drywall. Low voltage DC wires from remote power supply connect to LED wires. Junction box opening covered by Reveal Wall Wash channel. LEDs not included. Designed for use with PureEdge Lighting Reveal and Reveal Wall Wash Plaster-In LED systems. Order additional junction box separately to rough-in electrical wiring before drywall installation. Quick shipment available.



Shown in satin aluminum



### Specifications

COLOR	N/A
BODY FINISH	Galvanized
WATTAGE	N/A
DIMMER	N/A
DIMENSIONS	2"W x 3.75"H x 2.62"D
BULB	N/A



CLICK TO VIEW PRODUCT

Notes: