

Lightology

lightology.com
866-954-4489
04-22-26

Project: _____
 Company: _____
 Location: _____ Fixture Type: _____
 SPEC #: **BOV1025265**
 Approved On: _____ Approved By: _____

Platet A01 Outdoor Wall Sconce By Bover

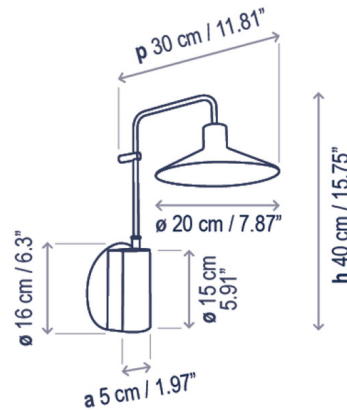


Description

The Platet A01 Outdoor Wall Sconce features a clean and simple design with a slight industrial flair. The long body of the wall sconce is secured to the wall and then sticks out at the top to hold the shallow cone shaped shade. Available with an Ebony Black finish complemented by a Black, Brown, or Green shade. ETL listed, wet locations. NOTE: This fixture is designed to be mounted on a 2 inch x 4 inch switch box and will not cover a standard 4 inch junction box.



Shown in ebony black / brown



Specifications

COLOR	Brown
BODY FINISH	Ebony Black
WATTAGE	4.2W
DIMMER	Not Dimmable
DIMENSIONS	7.87"W x 15.75"H x 11.81"D
INTEGRATED LED MODULE	1 x LED/4.2W/120-277V LED
COUNTRY OF ORIGIN	Spain

Technical Information

COLOR RENDERING	90 CRI
LAMP COLOR	2700K
LUMENS/WATT	120.00
LUMINOUS FLUX	504 lumens



CLICK TO VIEW PRODUCT

Notes: