

Lightology

lightology.com
866-954-4489
04-24-26

Project: _____
Company: _____
Location: _____ Fixture Type: _____
SPEC #: **BOV1025268**
Approved On: _____ Approved By: _____

Platet A02 Wall Sconce By Bover

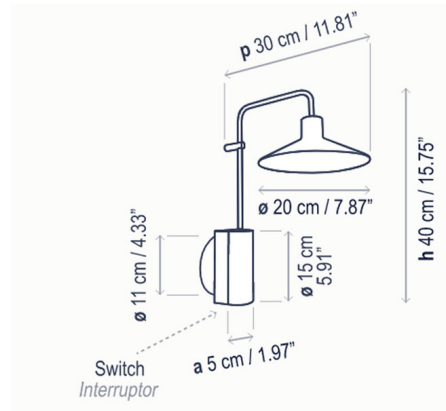


Description

The Platet A02 Wall Sconce features a clean and simple design with a slight industrial flair. The long body of the wall sconce is secured to the wall and then sticks out at the top to hold the shallow cone shaped shade. Available with an Ebony Black finish complemented by a Light Grey, Olive Grey, Antique Brass, or Terracotta shade. ETL and CE listed. NOTE: This fixture is designed to be mounted on a 2 inch x 4 inch switch box and will not cover a standard 4 inch junction box.



Shown in ebony black / light grey



Specifications

COLOR Light Grey
BODY FINISH Ebony Black
WATTAGE 5W
DIMMER Not Dimmable
DIMENSIONS 7.87"W x 15.75"H x 11.81"D
BULB NOT INCLUDED 1 x A19/Medium (E26)/5W/120V LED
COUNTRY OF ORIGIN Spain



CLICK TO VIEW PRODUCT

Notes: