

# Lightology

lightology.com  
866-954-4489  
05-23-26

Project: \_\_\_\_\_  
 Company: \_\_\_\_\_  
 Location: \_\_\_\_\_ Fixture Type: \_\_\_\_\_  
 SPEC #: **LUT1027540**  
 Approved On: \_\_\_\_\_ Approved By: \_\_\_\_\_

## Diva Reverse Phase Electronic Low Voltage Dimmer

By Lutron

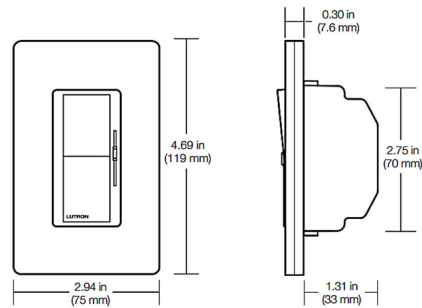


### Description

The Diva Reverse-Phase Electronic Low Voltage (ELV) Dimmer is designed for ELV, LED, CFL, Halogen and Incandescent dimmable bulbs. Single pole/3-way dimmer. Features on/off paddle switch with a linear slide dimmer, built-in soft glow locator light behind paddle switch. Reverse-phase type control. Neutral wire connection is required in the wallbox. UL listed to control: 250 watt dimmable LED with integrated driver; 250 watt dimmable compact fluorescent (CFL) with integrated ballast; and 500 watt incandescent/halogen. Requires a US wallbox 2 inch deep minimum. Note: Claro designer wall plates sold separately.



Shown in gloss white



**Note:** Requires a U.S. wallbox 2½ in (64 mm) deep minimum. Overall width and height dimensions shown are with a Claro wallplate (sold separately).

### Specifications

COLOR	.....	N/A
BODY FINISH	.....	Gloss White
WATTAGE	.....	N/A
DIMMER	.....	N/A
DIMENSIONS	.....	2.94"W x 4.69"H x 1.31"D
BULB	.....	N/A
COUNTRY OF ORIGIN	.....	United States



CLICK TO VIEW PRODUCT

Notes: