

Lightology

lightology.com
866-954-4489
05-25-26

Project: _____
 Company: _____
 Location: _____ Fixture Type: _____
 SPEC #: **LUT1027543**
 Approved On: _____ Approved By: _____

Diva Reverse Phase Electronic Low Voltage Dimmer

By Lutron

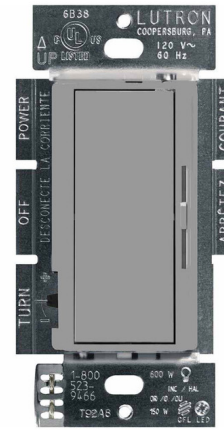


Description

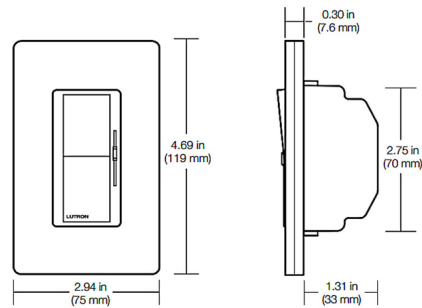
The Diva Reverse-Phase Electronic Low Voltage (ELV) Dimmer is designed for ELV, LED, CFL, Halogen and Incandescent dimmable bulbs. Single pole/3-way dimmer. Features on/off paddle switch with a linear slide dimmer, built-in soft glow locator light behind paddle switch. Reverse-phase type control. Neutral wire connection is required in the wallbox. UL listed to control: 250 watt dimmable LED with integrated driver; 250 watt dimmable compact fluorescent (CFL) with integrated ballast; and 500 watt incandescent/halogen. Requires a US wallbox 2 inch deep minimum. Note: Claro designer wall plates sold separately.

Specifications

COLOR	N/A
BODY FINISH	Gloss Grey
WATTAGE	N/A
DIMMER	N/A
DIMENSIONS	2.94"W x 4.69"H x 1.31"D
BULB	N/A
COUNTRY OF ORIGIN	United States



Shown in gloss grey



Note: Requires a U.S. wallbox 2½ in (64 mm) deep minimum. Overall width and height dimensions shown are with a Claro wallplate (sold separately).



CLICK TO VIEW PRODUCT

Notes: