

Lightology

lightology.com
866-954-4489
04-25-26

Project: _____
 Company: _____
 Location: _____ Fixture Type: _____
 SPEC #: **LUT1027700**
 Approved On: _____ Approved By: _____

Maestro PRO LED+ Dimmer

By Lutron

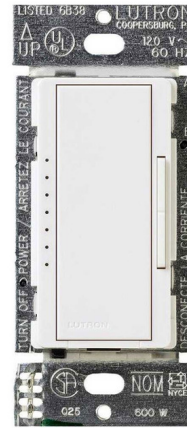


Description

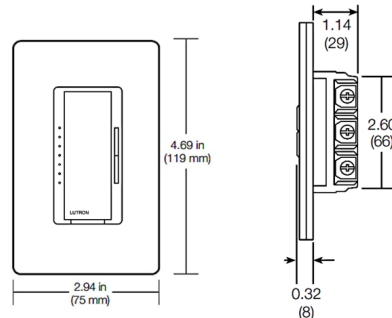
The Maestro PRO LED+ Dimmer Phase-selectable dimmer for LED, ELV, MLV and incandescent lamp loads. Can be used in single-pole or in multi-location (using MA-R) applications. Large tapswitch with a rocker-style dimmer. Features advanced dimming technology designed for compatibility with a broader range of high-efficacy bulbs. UL listed to control: dimmable LED with integrated driver; Electronic Low-Voltage (ELV); Magnetic Low-Voltage (MLV); dimmable compact fluorescent lamps (CFLs) with integrated ballast; incandescent and halogen; Philips Advance Mark 10 ballasts; and Hi-lume 1% 2-Wire (LTE) LED driver. Note: Designer wall plate sold separately. **MAXIMUM LOAD; 250 WATT DIMMABLE LED/500 WATT INCANDESCENT/HALOGEN/ELV/400 VA MLV or 20 LUTRON HI-LUME 1% 2-WIRE (LTE) LED DRIVERS.**

Specifications

COLOR	N/A
BODY FINISH	Gloss White
WATTAGE	N/A
DIMMER	N/A
DIMENSIONS	2.94"W x 4.69"H x 1.14"D
BULB	N/A
COUNTRY OF ORIGIN	Mexico



Shown in gloss white



Note: Requires a U.S. wallbox 2½ in (64 mm) deep minimum. Overall width and height dimensions shown are with a Claro wallplate (sold separately).



CLICK TO VIEW PRODUCT

Notes: