

Lightology

lightology.com
866-954-4489
06-04-26

Project: _____

Company: _____

Location: _____ Fixture Type: _____

SPEC #: **AST1033076**

Approved On: _____ Approved By: _____

Edward Wall Sconce By Astro Lighting

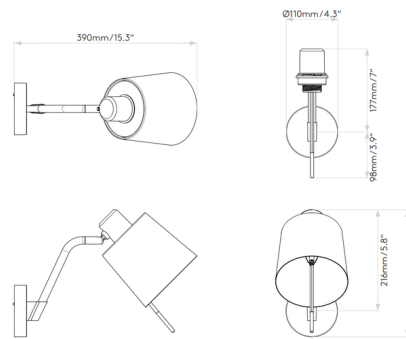


Description

The Edward Wall Sconce features a traditional design filtered through a modern lens, with decorative details pared down in favor of clean, fluid lines. The die-cast Matte Black base features contrasting gold accents and is complemented by a tapered drum shade. The Matte Black and Matte Gold shades are metal, while the Black, Putty and White shades are fabric. A slim handle allows easy light direction control -- the head tilts 90 degrees and rotates 330 degrees. This light is available with or without a switch. The switched versions have an on/off rocker switch on the base, especially convenient when installed as a bedside lamp.



Shown in matte black / black fabric



Specifications

COLOR	Black Fabric
BODY FINISH	Matte Black
WATTAGE	12W
DIMMER	Low Voltage Electronic
DIMENSIONS	6.1"W x 10.7"H x 15.3"D
BULB NOT INCLUDED	1 x A19/Medium (E26)/12W/120V LED
COUNTRY OF ORIGIN	China



CLICK TO VIEW PRODUCT

Notes: