

BRAND

Resident Lighting

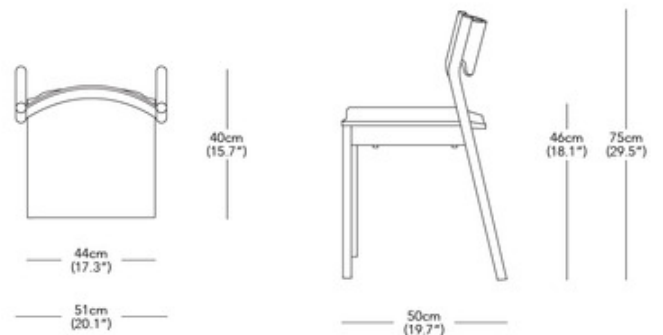
DESCRIPTION

The Tangerine Chair, designed by Simon James, offers a refined option in any indoor environment. The certified F.S.C. wood is both sturdy and lightweight, and stacks easily to put away when not in use.



Shown in: Natural

COLOR	N/A
BODY FINISH	Natural
WATTAGE	N/A
DIMMER	N/A
DIMENSIONS	20.1"W x 29.5"H x 15.7"D
LAMP	N/A



ITEM NUMBER

RSL1034483

COMPANY

PROJECT

FIXTURE TYPE

APPROVED BY

DATE