

Lightology

lightology.com
866-954-4489
05-25-26

Project: _____

Company: _____

Location: _____ Fixture Type: _____

SPEC #: **SLP1034620**

Approved On: _____ Approved By: _____

Lafleur Portable Table Lamp By Slamp



Description

The Lafleur Portable Table Lamp, designed by Marc Sadler, was driven by the desire to move beyond the known and find a new compositional language while shaping Slamp's techno polymers. The delicate, delectable, and rechargeable Lafleur battery-powered table lamp is formed by heating Lentiflex at a controlled temperature and then hand molding it to create the blossom. The lamp has a magnetic base and comes with a complimentary metal anchor, fit to go under a tablecloth for a whimsical mise-en-place, or screwed into the wall, turning Lafleur into a wall sconce. The rechargeable 5V Li-Po battery has a life of approximately 6.5 hours and max intensity to around 60 hours at minimum intensity. Available with a Black base and Velvet colored shade or White base with a Prisma shade. CE listed.

Specifications

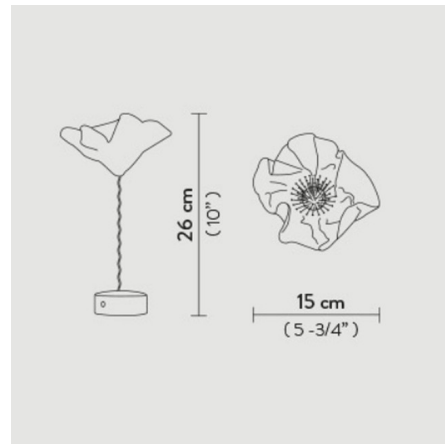
COLOR Velvet
BODY FINISH Black
WATTAGE 1.3W
DIMMER Included
DIMENSIONS 5.75"W x 10"H
INTEGRATED LED MODULE 1 x LED/1.3W/120V LED
COUNTRY OF ORIGIN Italy

Technical Information

LAMP COLOR 2700K
LUMENS/WATT 115.38
LUMINOUS FLUX 150 lumens



Shown in black / velvet



CLICK TO VIEW PRODUCT

Notes: