

Lightology

lightology.com
866-954-4489
05-24-26

Project: _____

Company: _____

Location: _____ Fixture Type: _____

SPEC #: **GRC1034629**

Approved On: _____ Approved By: _____

Innofit Round Commercial Retrofit Downlight By Green Creative



Description

Make retrofit projects easier with the Innofit commercial downlight family. The Innofit Gen2 Retrofit Downlight with integrated driver is IC Air-tight rated to retrofit existing commercial housings, and is field accessible from below the ceiling. Self flanged spun aluminum reflector in matte white. High resistance polycarbonate optical lens, with smooth diffusion. High end white finish polycarbonate baffle trim. Offered in 2700K, 3000K, 3500K or 4000K color temperature options. Features SelectDrive field select lumen output with Low, Medium, High switch. Available in 120V and 120-277V options. 120V dimmable to 10% using forward or reverse phase dimmers. 120-277V dimmable to 5% with 0-10V dimmers.

Specifications

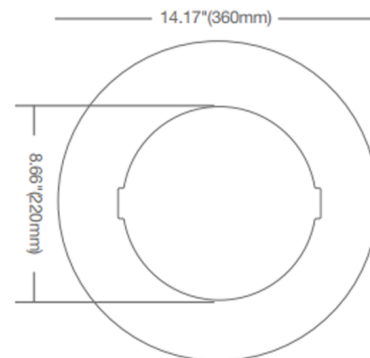
REFLECTOR/BAFFLE COLOR	N/A
BODY FINISH	White
WATTAGE	13W
DIMMER	Low Voltage Electronic
DIMENSIONS	6"W x 3.25"H
INTEGRATED LED MODULE	1 x LED/13W/120V LED

Technical Information

APERTURE SHAPE	Round
HOUSING HEIGHT	3.5"
HOUSING TYPE	New construction IC Airtight
CEILING TYPE	Drywall with Trim
FUNCTION	Downlight
LAMP LIFE	50000 hours
BEAM ANGLE	105°
COLOR RENDERING	.80 CRI
LAMP COLOR	4000K
LUMENS/WATT	123.08
LUMINOUS FLUX	1600 lumens



Shown in white



CLICK TO VIEW PRODUCT

Notes: