

Lightology

lightology.com
866-954-4489
07-09-26

Project: _____
Company: _____
Location: _____ Fixture Type: _____
SPEC #: **ACO1035206**
Approved On: _____ Approved By: _____

Dot Pendant

By Accord Iluminacao



Description

The Dot Pendant features an adjustable Matte Black shade to easily switch from task lighting to ambient light. The light can be placed toward a Natural Wood Veneer disk to create a unique lighting aesthetic. The height is not adjustable.

Specifications

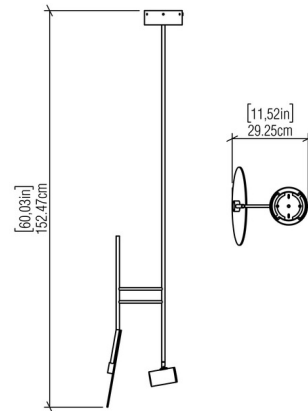
COLOR Imbuia
BODY FINISH Matte Black
WATTAGE 6W
DIMMER Standard 120V
DIMENSIONS 11.8"W x 60"H x 11.4"D
BULB NOT INCLUDED 1 x MR16/GU10/6W/120V LED
COUNTRY OF ORIGIN Brazil

Technical Information

PRODUCT DIMENSIONS Canopy: 7.1"W x 2.9"H



Shown in matte black / imbuia



CLICK TO VIEW PRODUCT

Notes: