



BRAND

Accord Iluminacao

DESCRIPTION

The Sakura Wall Sconce is a unique and modern way to bring the outdoors inside. This botanical inspired fixture features Natural Wood Veneer shades with Bronze Lacquer painted Steel arms. Can be mounted up or down.

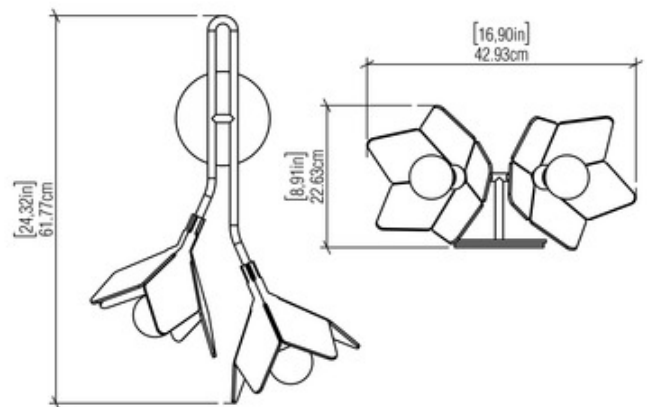


Shown in: Bronze / Teak

SHADE COLOR	Teak
BODY FINISH	Bronze
WATTAGE	N/A
DIMMER	Standard 120V
DIMENSIONS	16.9"W x 24.3"H x 8.9"D
BULB NOT INCLUDED	
LAMP	2 x A19/Medium (E26)/120V LED 2 x A19/Medium (E26)/120V Incandescent

Technical Information

PRODUCT DIMENSIONS	Backplate: 5.3" diameter
---------------------------	--------------------------



SPEC #	ACO1035488
---------------	------------

COMPANY	PROJECT	FIXTURE TYPE	APPROVED BY	DATE