

Lightology

lightology.com
866-954-4489
05-21-26

Project: _____

Company: _____

Location: _____ Fixture Type: _____

SPEC #: **DVI1038165**

Approved On: _____ Approved By: _____

Tropea 3Lt. Wall Sconce By DVI Lighting

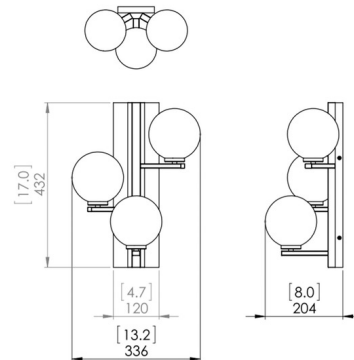


Description

The Tropea 3Lt. Wall Sconce has clean lines and a timeless design making this sconce a welcome addition to most decors. Features a Clear Ripple glass globe shade with three finish options available. ETL listed.



Shown in graphite / brass / ripple glass



Specifications

COLOR	Ripple Glass
BODY FINISH	Graphite / Brass
WATTAGE	75W
DIMMER	Standard 120V
DIMENSIONS	13.25"W x 17"H x 8"D
BULB NOT INCLUDED	3 x B10/Candelabra (E12)/25W/120V Incandescent
OTHER BULB OPTIONS	3 x B10/Candelabra (E12)/120V LED



CLICK TO VIEW PRODUCT

Notes: