

Lightology

lightology.com
866-954-4489
05-24-26

Project: _____
 Company: _____
 Location: _____ Fixture Type: _____
 SPEC #: **FLD1038498**
 Approved On: _____ Approved By: _____

Nathan Table Lamp

By FlowDecor

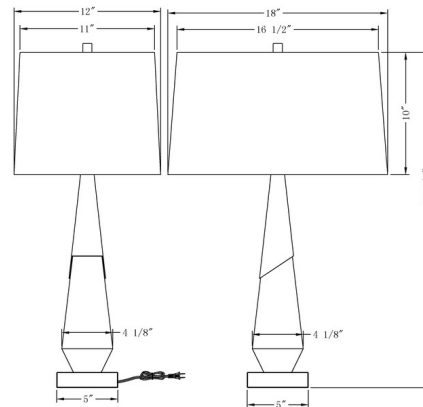


Description

The Nathan Table Lamp features an asymmetrical body that is crafted from Crystal with polished nickel accents giving the fixture a glamorous look. Available with a White linen oval shade. Includes a 3-way socket switch. UL listed.



Shown in crystal / white linen



Specifications

COLOR White Linen
 BODY FINISH Crystal
 WATTAGE 150W
 DIMMER Included
 DIMENSIONS 18"W x 27.5"H x 12"D
 BULB NOT INCLUDED 1 x A19 3-Way/Medium (E26)/150W/120V Incandescent
 OTHER BULB OPTIONS 1 x A19 3-Way/Medium (E26)/120V LED



CLICK TO VIEW PRODUCT

Notes: