

Lightology

lightology.com
866-954-4489
07-02-26

Project: _____
 Company: _____
 Location: _____ Fixture Type: _____
 SPEC #: **LCF1039083**
 Approved On: _____ Approved By: _____

Double Impact Pathlight By Lucifer Lighting



Description

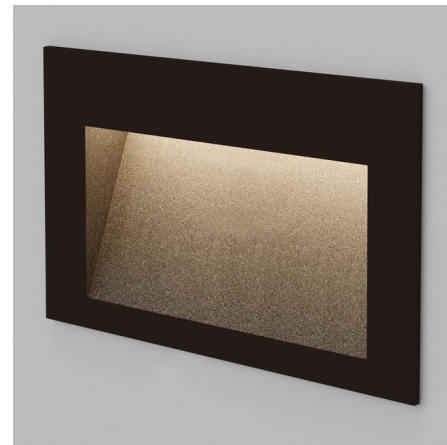
The Double Impact Path Light features a regressed LED with slot aperture for glare-free path and step lighting. Provided with sealed polycarbonate linear diffusion lens. Install in concrete, stone or drywall. Available in a dry/damp or wet location option. Tamper resistant set screws included with wet location option. Fixture includes a universal back box (wet location and concrete pour rated), hanger bars adjustable from 14-24 inch, integral 60 watt 24 volt 0-10V power supply (analog and leading/trailing edge/ supports 1-6 fixtures), and flange.

Specifications

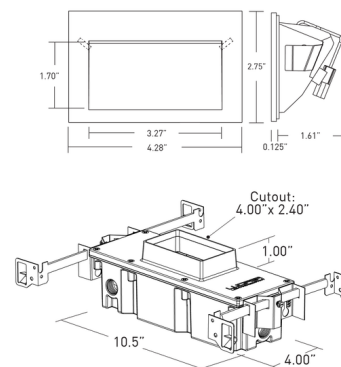
COLOR	N/A
BODY FINISH	Architectural Bronze Powdercoat
WATTAGE	6.5W
DIMMER	0-10V
DIMENSIONS	4.28"W x 2.75"H
INTEGRATED LED MODULE	1 x LED/6.5W/120V LED

Technical Information

LAMP LIFE	50000 hours
COLOR RENDERING	.80 CRI
LAMP COLOR	2700K
LUMENS/WATT	23.08
LUMINOUS FLUX	150 lumens



Shown in architectural bronze powdercoat



CLICK TO VIEW PRODUCT

Notes: